

*Creating a Green World*

**AQ**ua

Valves & Accessories



Sr. No.	Content	Page No.
1	Single Union PVC Ball Valve	4-7
2	Double Union PVC Ball Valve	8-9
3	Flanged end PVC Ball Valve	10
4	4" Single Union PVC Ball Valve	11
5	Plastic Wafer Type Butterfly Valve: Lever Operated	12-13
6	Hybrid Wafer Type Butterfly Valve: Lever Operated	14-15
7	Throttle Valve	16-17
8	Plastic Angle Seat Valve	18-19
9	Spring Loaded Ball Type Plastic Check Valve	20
10	Wafer Type Swing Check Valve	21
11	Cast Iron Ball Check Valve	22
12	Cast Iron Foot Check Valve	23
13	Bronze Hydraulic Control Valve	24-25
14	Plastic Quick Coupling Valve And Key	26
15	Brass Quick Coupling Valve And Key	27
16	Vacuum Breaker Valve	28
17	Plastic Air Release / Vacuum Relief Valve	29-30
18	Plastic Continuous Acting Air Release & Vacuum Relief Valve	31
19	Metal Air Release / Vacuum Relief Valve	32
20	Metal Continuous Acting Air Release & Vacuum Relief Valve	33
21	Pressure Relief Valve	34-35
22	Pressure Reducing / Pressure Sustaining Brass Pilot	36
23	Pressure Reducing / Pressure Sustaining Plastic Pilot	37
24	Brass 3 Way Valve	38
25	Plastic 3 Way Valve	39
26	PVC Check valve (1")	39
27	Brass Needle Valve	40
28	Brass Drain Valve	40
29	T-Bolt Hose Clamp / Layflat Hose Clamp	41
30	Pressure Gauge	42
31	Pitot Tube	43
32	Pressure Gauge Valve	43
33	Swing Joint	44
34	Brass Float Valve	44
35	Full Flow Drip Compression Fittings	45
36	Lateral Valves	45
37	Weight Chart	46-51

# New Products Overview



Single Union PVC Ball Valve (1/2")  
Refer Page No:4



Plastic Wafer Type Butterfly Valve  
Refer Page No:12-13



Plastic Angle Seat Valve (2")  
Refer Page No:18-19



Bronze Hydraulic Control Valve  
Refer Page No:24-25



Plastic Continuous Acting  
Air Release & Vacuum Relief Valve (1")  
Refer Page No:31



Plastic Air Release / Vacuum  
Relief Valve (New Range)  
Refer Page No:29



Brass 3 Way Valve  
Refer Page No:38



PVC Check Valve (1")  
Refer Page No:39



Brass Needle Valve  
Refer Page No:40



Lateral Valves  
Refer Page No:45



T-Bolt Hose Clamp / Layflat Hose Clamp  
Refer Page No:41

# Single Union PVC Ball Valve

½", ¾ & 1"

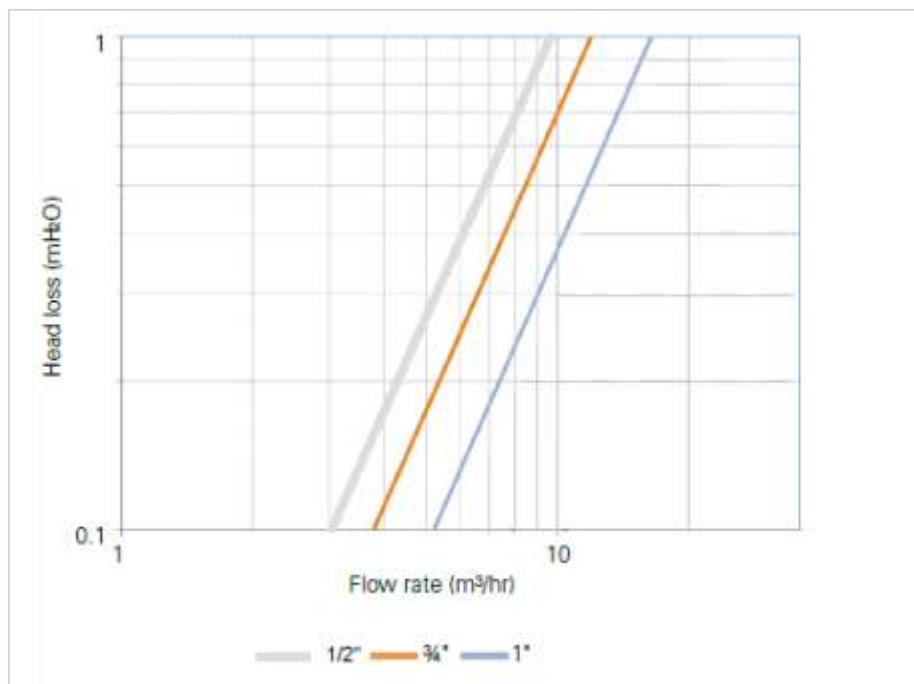


## Features

- Quarter Turn Hand operated ON/Off Ball Valve.
- End connection : Threaded / Solvent Socket.
- Operating Pressure: 16 bar
- User friendly design allows smooth operation of handle.
- Industrial, chemical, turf & agriculture irrigation system, pool and spa application.
- Chemical / Corrosion resistant, Color UV stablized.

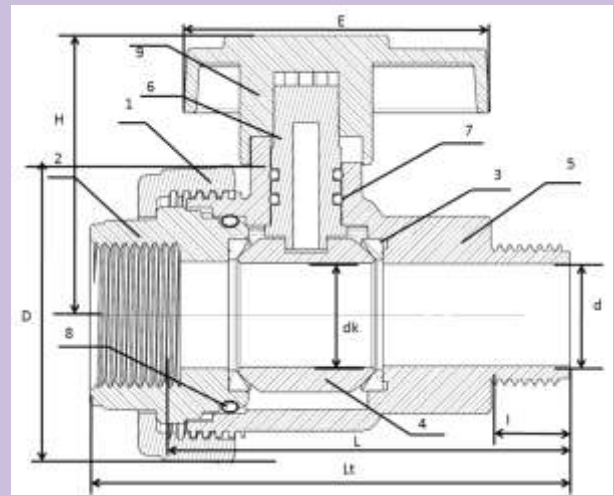
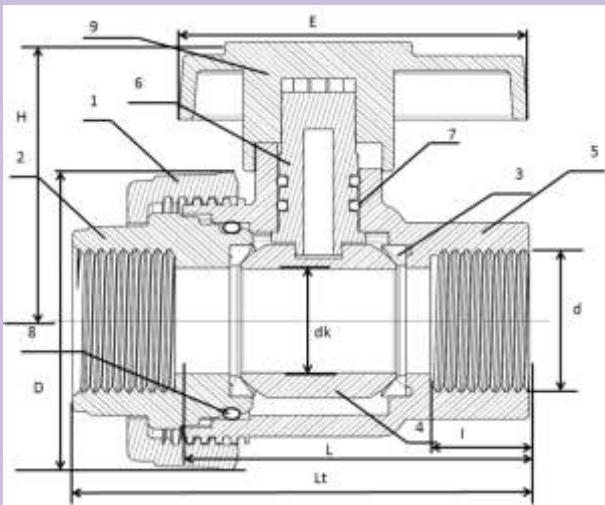
## Material Specification

PART NO	PART NAME	MATERIAL	QTY.
1	Ring	UPVC	1
2	Bush	UPVC	1
3	Seal	TPE	2
4	Ball	UPVC	1
5	Body	UPVC	1
6	Shaft	UPVC	1
7	Shaft O-Ring	HNBR	2
8	Main O-Ring	HNBR	1
9	Handle	ABS	1



# Single Union PVC Ball Valve

½", ¾ & 1"



## Dimensions (mm)

### PVC Ball Valve (Inlet - Threaded Female : Outlet - Threaded male)

Nom Size	BSP Thd./in	NPT Thd./in	dk	D	l	L	Lt	E	H
15mm (½")	14	14	20	60	16	80.2	99.15	60.8	56
20mm (¾")	14	14	20	60	18	80.2	99.15	60.8	56
25mm (1")	11	11.5	24	69	17.7	89	110.4	71	66

### PVC Ball Valve (Inlet - Threaded Female : Outlet - Threaded Female)

Nom Size	BSP Thd./in	NPT Thd./in	dk	D	l	L	Lt	E	H
15mm (½")	14	14	20	60	16	63.5	82.6	60.8	56
20mm (¾")	14	14	20	60	18	63.5	82.6	60.8	56
25mm (1")	11	11.5	24	69	21.8	73	94	71	66

### PVC Ball Valve (Inlet - Solvent Cement Joint Female : Outlet - Solvent Cement Joint Female)

Nom Size	ASTM d	BS d	ISO d	dk	D	l	L	Lt	E	H
15mm (½")	21.2	21.4	20.2	20	60	16	63.5	82.6	60.8	56
20mm (¾")	26.67	26	25	20	60	18	63.5	82.6	60.8	56
25mm (1")	33.4	34	32	24	69	21.8	73	94	71	66

NOTE: All Sizes & Type of ball valves also available in Polypropylene (PP) with Pressure Rating (PN-6)



# Single Union PVC Ball Valve

1¼", 1½", 2", 2½" & 3"



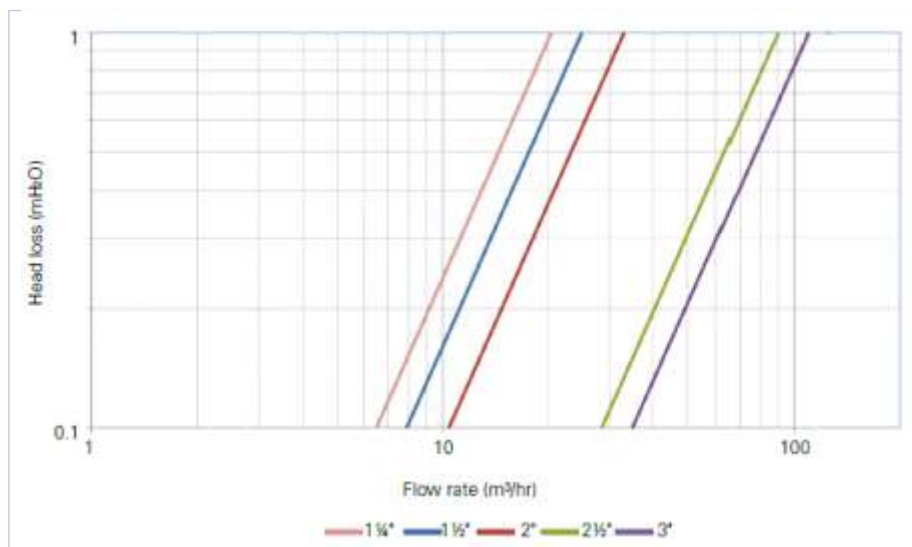
## Features

- Quarter Turn Hand operated ON/Off Ball Valve.
- End connections : Threaded/Solvent Socket
- Operating Pressure: 16 Bar for 1¼", 1½" and 2" model.
- For 2½" and 3" model it is PN 10
- Male x Female connection is also available (1¼", 1½", 2", 2½" and 3") for turf application.
- User friendly design allows smooth operation of handle.
- Union nut load does not get transferred on to ball.
- TPE Seals effect ensures leakage free and low fixed torque.
- Chemical/Corrosion resistant, Color UV stabilized.

## Material Specification

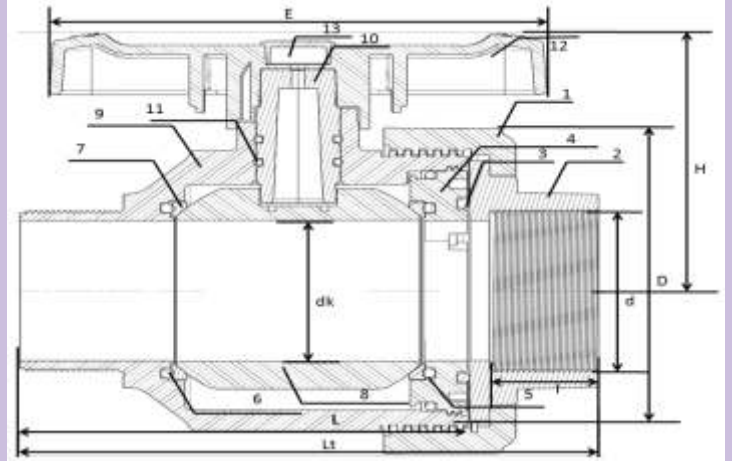
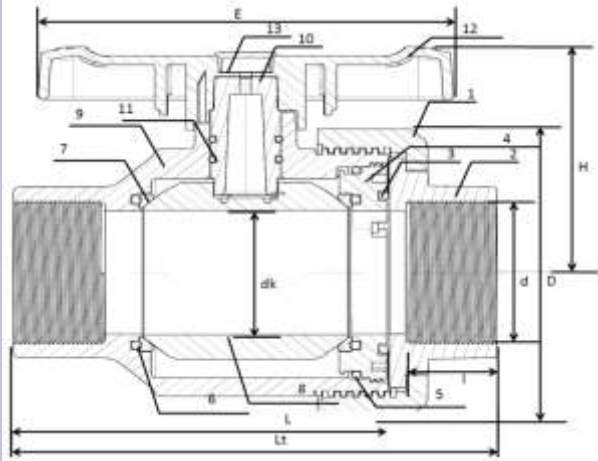
PART NO	PART NAME	MATERIAL	QTY.
1	Ring	UPVC	1
2	Socket	UPVC	1
3	Bush Small O-Ring	HNBR	1
4	Bush	UPVC	1
5	Bush Big O-Ring	HNBR	1
6	*Seal Washer	HNBR	2
7	Seal	TPE	2
8	Ball	UPVC	1
9	Body	UPVC	1
10	Shaft	UPVC	1
11	Shaft O-Ring	HNBR	**2
12	Handle	ABS	1
13	Handle Logo	ABS	***1

\* Only in 3" Ball valve, \*\* one in 2" Model, \*\*\* Except 1.25" model



# Single Union PVC Ball Valve

1¼", 1½", 2", 2½" & 3"



## Dimensions (mm)

### PVC Ball Valve (Inlet - Threaded Female : Outlet - Threaded male)

Nom Size	BSP Thd./in	NPT Thd./in	dk	D	l	L	Lt	E	H
32mm (1¼")	11	11.5	31.8	79.5	25.7	88	122.8	105	70.3
40mm (1½")	11	11.5	39.4	94.4	32	98.5	136.6	121	90.8
50mm (2")	11	11.5	49.5	116	35.4	119	164.8	150	97
65mm (2½")	11	8	59	131.6	45.5	139.5	197.2	162	110
80mm (3")	11	8	76	178.8	42.8	180	230.4	200.4	139

### PVC Ball Valve (Inlet - Threaded Female : Outlet - Threaded Female)

Nom Size	BSP Thd./in	NPT Thd./in	dk	D	l	L	Lt	E	H
32mm (1¼")	11	11.5	31.8	79.5	27.4	88	122.8	105	70.3
40mm (1½")	11	11.5	37	94.4	32	98	136.6	121	90.8
50mm (2")	11	11.5	49.5	116	35.4	119	164.8	150	98
65mm (2½")	11	8	59	131.6	42.5	141	197.2	162	111.5
80mm (3")	11	8	76	178.8	44	180	234	200.4	139

### PVC Ball Valve ((Inlet - Solvent Cement Joint Female : Outlet - Solvent Cement Joint Female)

Nom Size	ASTM d	BS d	DIN d	ISO d	dk	D	l	L	Lt	E	H
32mm (1¼")	42.16	42	40	40	31.8	79.5	27.4	88	122.8	105	70.3
40mm (1½")	48.26	48	50	50	37	94.4	32	98	136.6	121	90.8
50mm (2")	60.33	60	63	63	49.5	116	35.4	119	164.8	150	98
65mm (2½")	73.03	75	75	75	59	131.6	42.5	141	197.2	162	111.5
80mm (3")	88.9	89	90	90	76	178.8	44	180	234	200.4	139

NOTE: All Sizes & Type of ball valves also available in Polypropylene (PP) with Pressure Rating (PN-6)



E-mail: [contactus@automatworld.com](mailto:contactus@automatworld.com)  
 Website: [www.automatworld.com](http://www.automatworld.com)

*Creating a Green World*

# Double Union PVC Ball Valve

1", 1½", 2", 2½" & 3"



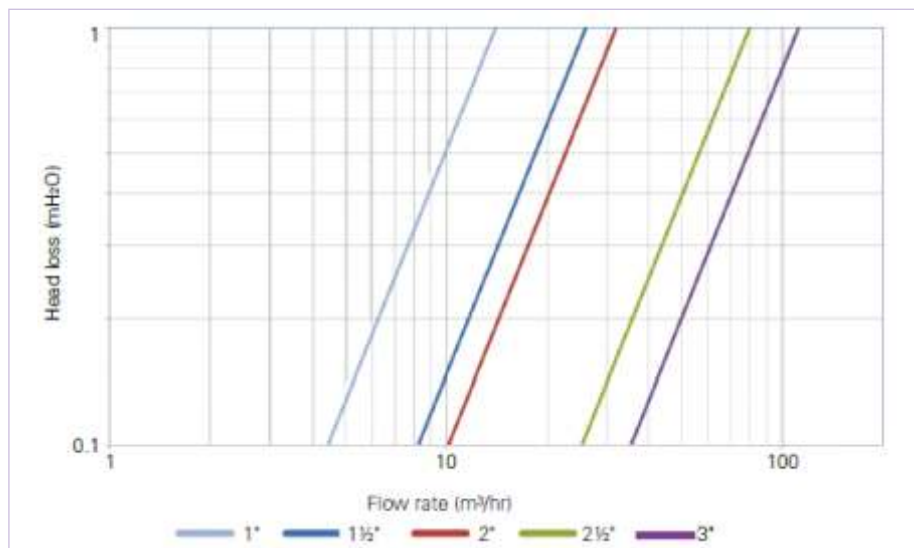
## Features

- Quarter Turn Hand operated ON/Off Ball Valve.
- End connections : Threaded/Solvent Socket.
- Operating Pressure: 16 Bar for 1", 1½" and 2" model while for the 3" model it is PN 10
- True union design for easier installation or repair, without expanding the pipe system.
- User friendly design allows smooth operation of handle.
- Union nut load does not get transferred on to ball.
- Free from vibration or chattering during opening and closing of valve.
- Inbuild Spanner wrench on Handle for valve disassemble/assemble.
- TPE Seals effect ensures leakage free and low fixed torque.
- Chemical/Corrosion resistant, Color UV stabilized.

## Material Specification

PART NO	PART NAME	MATERIAL	QTY.
1	Ring	UPVC	2
2	Socket	UPVC	2
3	Bush Small O-Ring	HNBR	2
4	Bush	UPVC	1
5	Bush Big O-Ring	HNBR	1
6	*Seal Washer	HNBR	2
7	Seal	EPDM/TPE	2
8	Ball	UPVC	1
9	Body	UPVC	1
10	Shaft	UPVC	1
11	Shaft O-Ring	HNBR	**2
12	Handle	ABS	1
13	Handle Logo	ABS	1

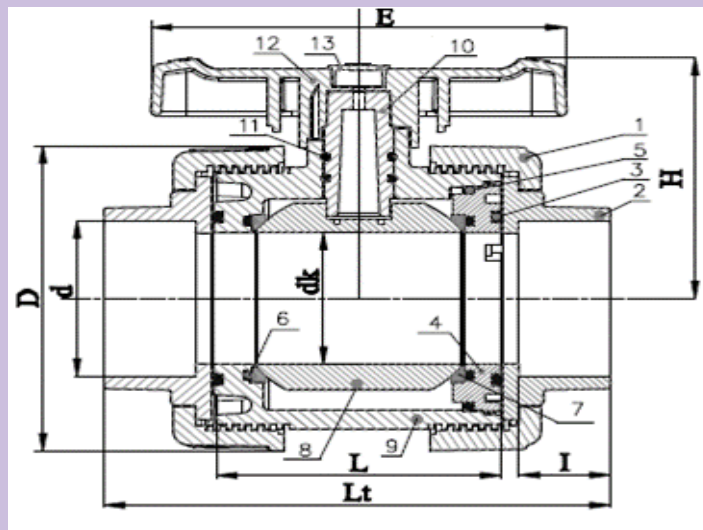
\* Only in 3" Ball valve, \*\* one in 2" Model.





# Double Union PVC Ball Valve

1", 1½", 2", 2½" & 3"



## Dimensions (mm)

### PVC Ball Valve (Inlet - Threaded Female : Outlet - Threaded Female)

Nom Size	BSP Thd./in	NPT Thd./in	dk	D	I	L	Lt	E	H
25mm (1")	11	11.5	24	69	20.2	55.5	112.6	71	68.5
40mm (1½")	11	11.5	37	94.4	32	73.25	151	121	90
50mm (2")	11	11.5	49.5	116	35.4	84.2	177.4	150	98
65mm (2½")	11	8	59	131.6	45.5	100	214	162	107.5
80mm (3")	11	8	76	178.8	44	138.1	243	200.4	140

### PVC Ball Valve ((Inlet - Solvent Cement Joint Female : Outlet - Solvent Cement Joint Female)

Nom Size	ASTM d	BS d	DIN d	ISO d	dk	D	I	L	Lt	E	H
25mm (1")	33.4	34	32	32	24.5	69	20.2	55.5	110	71	66.5
40mm (1½")	48.26	48	50	50	39.5	94.4	32	73.25	149.6	121	88.3
50mm (2")	60.33	60	63	63	49.5	116	35.4	84.2	177.4	150	97
65mm (2½")	73.03	75	75	75	59	131.6	45.5	100	212.1	162	107.5
80mm (3")	88.9	89	90	90	76	178.8	42.8	138.1	241.1	200.4	140

NOTE: All Sizes & Type of ball valves also available in Polypropylene (PP) with Pressure Rating (PN-6)



# Flanged End PVC Ball Valve

2", 2½" & 3"



## Features

- Quarter Turn Hand operated ON/Off Ball Valve.
- End connections : Flanged type
- Operating Pressure: 8 Bar/110 Psi
- User friendly design allows smooth operation of handle.
- Union nut load does not get transferred on to ball.
- Free from vibration or chattering during opening and closing of valve.
- Inbuild Spanner wrench on Handle for valve disassemble/assemble.
- TPE Seals effect ensures leakage free and low fixed torque.
- Chemical/Corrosion resistant, Color UV stablized.

## Dimensions (mm)

PVC Ball Valve (Inlet - Threaded Female : Outlet - Threaded Female )

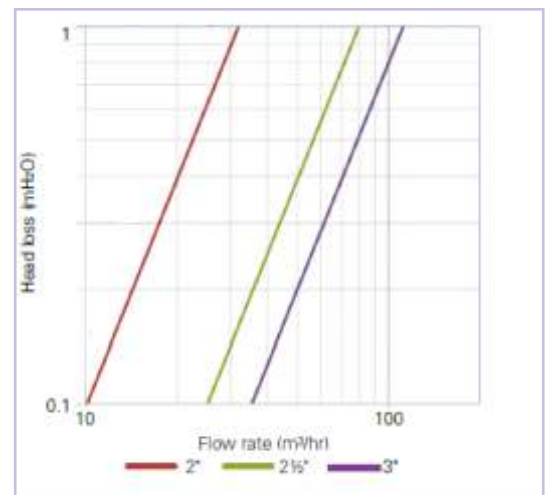
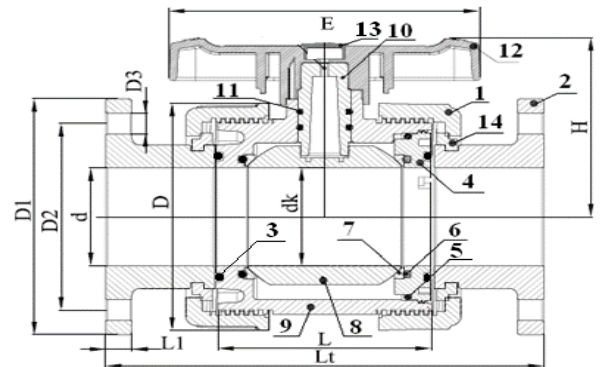
Nom Size	d	dk	D	D1	D2	L	L1	Lt	E	H
50mm(2")	49	49.5	116	152	114	88	17.5	206	150	97
65mm(2½")	60	59	132	164	126	102.5	15.8	210	162.4	106
80mm(3")	76	76	179	183.8	145.3	138.1	16	275.4	200.4	139

NOTE: All Sizes & Type of ball valves also available in Polypropylene (PP) with Pressure Rating (PN-6)

## Material Specification

PART NO	PART NAME	MATERIAL	QTY.
1	Ring	UPVC	2
2	Flange Socket	UPVC	2
3	Bush Small O-Ring	HNBR	2
4	Bush	UPVC	1
5	Bush Big O-Ring	HNBR	1
6	*Seal O-Ring	HNBR	2
7	Seal	TPE	2
8	Ball	UPVC	1
9	Body	UPVC	1
10	Shaft	UPVC	1
11	Shaft O-Ring	HNBR	**2
12	Handle	ABS	1
13	Handle Logo	ABS	1
14	Flange Clamp	UPVC	2

\* Only in 3" Ball valve, \*\* one in 2" Model.



# Single Union PVC Ball Valve

4"



## Features

- Quarter Turn Hand operated ON/Off Ball Valve.
- End connections : Threaded/Plain Socket
- Operating Pressure: 10 Bar
- User friendly design allows smooth operation of handle.
- Handle with ribs for good gripping in operation
- Union nut load does not get transferred on to ball.
- TPE effect ensures leakage free and low fixed torque.
- Chemical/Corrosion resistant, Color UV stabilized.

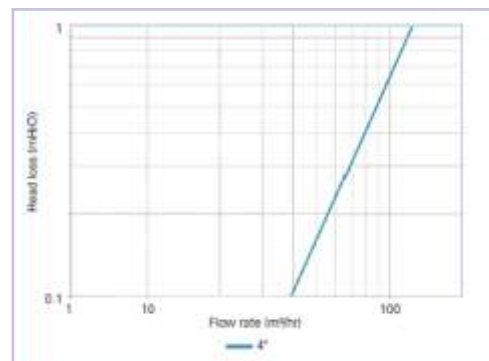
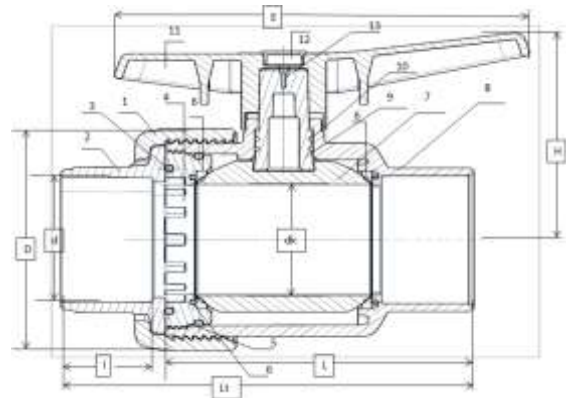
## Dimensions (mm)

PVC Ball Valve (Inlet - Threaded Male : Outlet - Threaded Female)											
Nom Size	BSP Thd./in	NPT Thd./in	dk	D	l	L	Lt	E	H		
100mm (4")	11	8	98.3	197	60	200	268	270.1	186		
PVC Ball Valve ((Inlet - Solvent Cement Joint Female : Outlet - Solvent Cement Joint Female)											
Nom Size	ASTM d	BS d	DIN d	ISO d	dk	D	l	L	Lt	E	H
100mm (4")	114.3	114	110	110	98.3	196.5	60	200	268	270.1	186

NOTE: This size & Type of ball valves also available in Polypropylene (PP) with Pressure Rating (PN-6)

## Material Specification

PART NO	PART NAME	MATERIAL	QTY.
1	Ring	UPVC	1
2	Socket	UPVC	1
3	Bush Small O-Ring	HNBR	1
4	Bush	UPVC	1
5	Bush Big O-Ring	HNBR	1
6	Seal	TPE	2
7	Ball	UPVC	1
8	Body	UPVC	1
9	Shaft	UPVC	1
10	Shaft O-Ring	HNBR	3
11	Handle	ABS	1
12	Handle Logo	ABS	1
13	Handle Screw	SS	1



# Plastic Wafer Type Butterfly Valve: Lever Operated

2", 2½", 3" & 4"

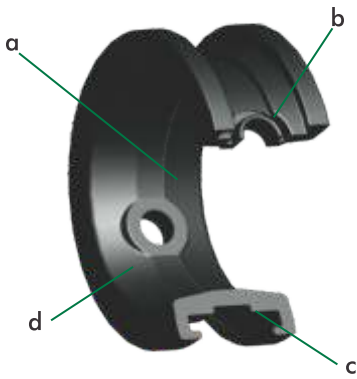


## Features

- Light Weight, easy to install.
- One Piece Body made of PVC-U.
- Disc designed ensuring low torque and low pressure loss.
- Suitable for piping in a limited space.
- Butterfly Valve for water applications (Irrigation)

## Technical Specifications

- Nominal Size (DN) 50mm (2"), 65mm (2½"), 80mm (3") & 100mm (4")
- Nominal Pressure: PN-6
- Fluid Handled: Liquid
- Manufacturing Standard: IS: 13095
- Hydrostatic Test Pressure of Body: 9 kg/cm<sup>2</sup> (at 27° C temp.)
- Hydrostatic Test Pressure of Seat: 6 kg/cm<sup>2</sup> (at 27° C temp.)
- Temperature Range: -5°C to 50°C
- Service Application: Regulating & Tight Shut Off
- Type of Construction: Wafer Type
- Face to Face Dimension:  
For 2", 2½" & 3" : 46mm ; For 4" : 60mm
- Orientation of Lever: Parallel to Flow, when valve fully open.



## Rust Prevention

Body & Disc made of high quality PVC for strength and chemical resistance.

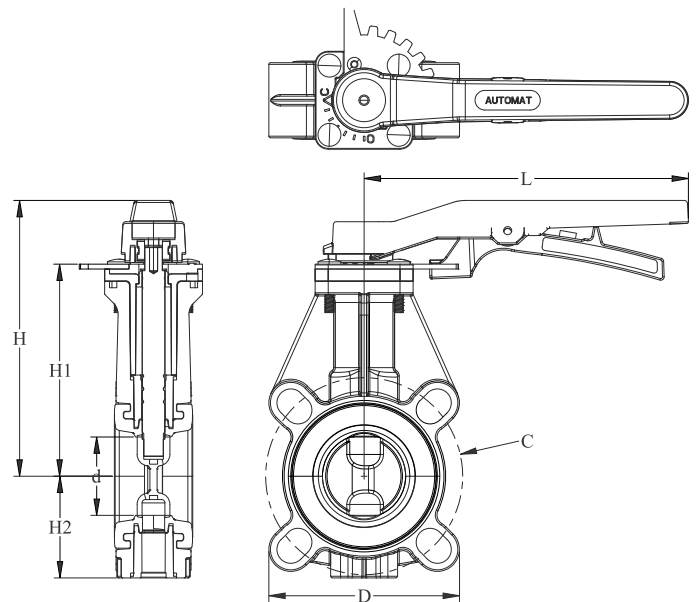
## Lock Plate

Stainless Steel Lock Plate provided with throttling notches every 15° in balancing upto 90° or shut off service. The lever may be padlocked in any one of the notches position.

## EPDM Rubber Seal

- Wide disc seating contact for good sealing performance.
- Dual shaft seal bearing for stabilized sealing function.
- Excellent gripping of rubber seal to avoid operating problems such as distortion, deformation and skidding caused by line pressure.
- Gasket less flange sealing contact for easy valve mounting

Dimensions (mm)				
d	50mm	65mm	80mm	110mm
D	117	112	128	162
H1	130	134	144	152
H2	71	88	91	106
H	165	174	182	197
L	198.5	198.5	198.5	279
C (PCD)	120.8	137.5	155.5	183



# Plastic Wafer Type Butterfly Valve: Lever Operated

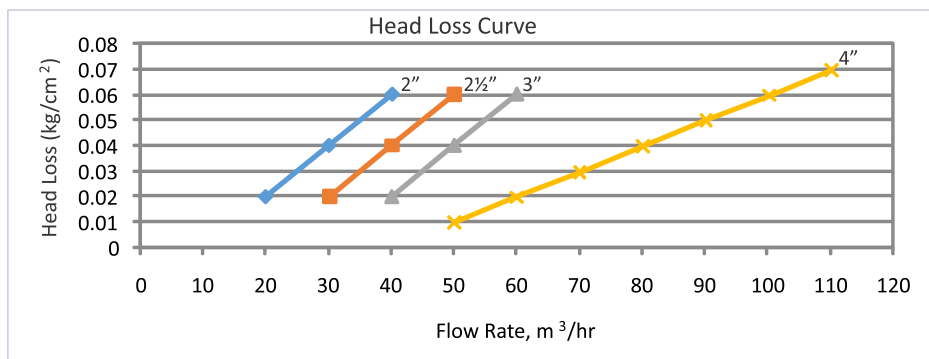
2", 2½", 3" & 4"



2", 2½" & 3" Butterfly Valve		
Part No.	Part Name	Material
1	Logo Cap	ABS
2	Allen Screw	SS304/316
3	Handle Washer	SS304 / MS plated
4	Carriage Bolt	SS304 / MS plated
5	Lock Plate	SS304/316
6	Sleeve	PVC
7	locking Bush	POM-MoS2
8	Shaft	SS304/316
9	Shaft O-ring	NBR
10	Bush	POM-MoS2
11	Bush O-ring	NBR
12	Body	PVC
13	Handle	ABS
14	Spring	SS304/316
15	Lever	Aluminum
16	Knurling pin	SS304/316
17	E-ring	SS304/316
18	Nut & Washer	SS304 / MS plated
19	Rubber Seal	EPDM
20	Disc	PVC
21	Small Shaft	SS304/316
22	Base Plate	PP
23	Allen Screw	SS304



4" Butterfly Valve		
Part No.	Part Name	Material
1	Logo Cap	ABS
2	Hex Nut	SS304 / MS plated
3	Handle Washer	SS304 / MS plated
4	Handle	ABS
5	CSK Bolt	SS304/316
6	Clutch Plate	SS304/316
7	Handle Guider	ABS
8	Big Bush	MOS2
9	Shaft O-ring	NBR
10	Shaft	SS304/316
11	Body	PVC
12	Disc	PVC
13	Locking Bush	MOS2
14	Rubber Seal	EPDM
15	Handle Dowel	SS304/316
16	Lever	ABS
17	Lever Dowel	SS304/316
18	Lever Patti	SS304/316
19	Spring	SS304/316
20	Spring Lock Plate	ABS



E-mail: [contactus@automatworld.com](mailto:contactus@automatworld.com)  
 Website: [www.automatworld.com](http://www.automatworld.com)

*Creating a Green World*

# Hybrid Wafer Type Butterfly Valve: Lever Operated

2", 2½", & 3"



## Technical Specifications

- Nominal Size (DN): 50mm (2"), 65mm (2½") & 80mm (3")
- Nominal Pressure (PN): PN10 class 125/150
- Fluid Handled: Liquid
- Manufacturing Standard: IS: 13095
- Hydrostatic Test Pressure of Body: 15 kg/cm<sup>2</sup> (at 27° C temp.)
- Hydrostatic Test Pressure of Seat: 10 kg/cm<sup>2</sup> (at 27° C temp.)
- Temperature Range: -5°C to 50°C
- Service Application: Regulating & Tight Shut Off
- Type of Construction: Wafer Type
- Face to Face Dimension:  
For 2", 2½" & 3" : 46mm
- Orientation of Lever: Parallel to Flow, when valve fully open.

## Rust Prevention

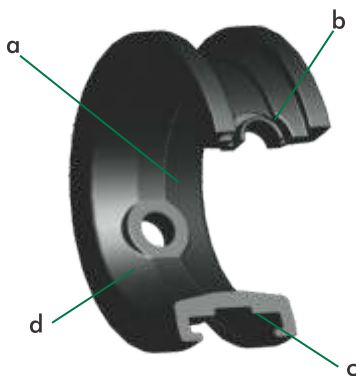
Body made of high quality PVC for strength and chemical resistance. butterfly valve disc made of stainless steel SS-304/316 for higher pressure rating and even for Industrial use.

## Lock Plate

Stainless Steel Lock Plate provided with throttling notches every 15° in balancing upto 90° or shut off service. The lever may be padlocked in any one of the notches position.

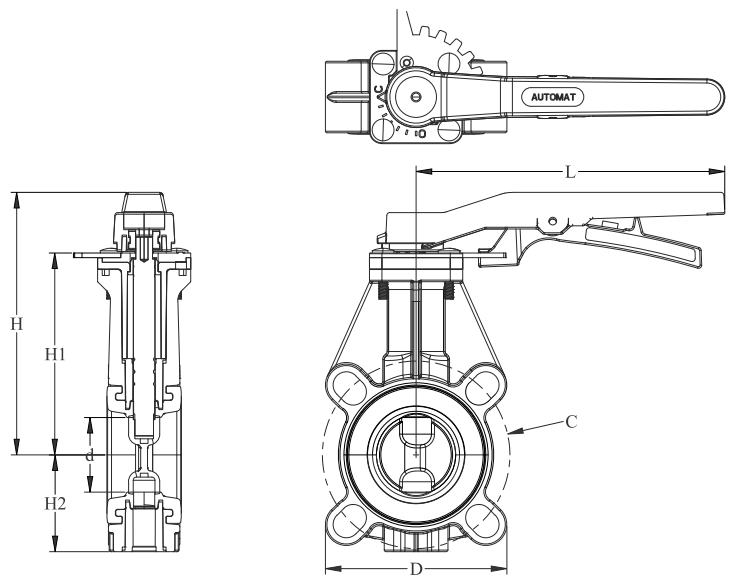
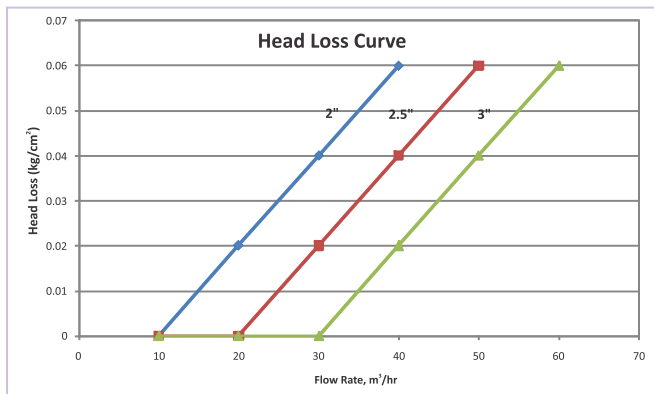
## EPDM Rubber Seal

- Wide disc seating contact for good sealing performance.
- Dual shaft seal bearing for stabilized sealing function.
- Excellent gripping of rubber seal to avoid operating problems such as distortion, deformation and skidding caused by line pressure and friction with metal.
- Gasket less flange sealing contact for easy valve mounting



## Dimensions (mm)

d	50mm	65mm	80mm
D	117	112	128
H1	130	134	144
H2	71	88	91
H	165	174	182
L	198.5	198.5	198.5
C (PCD)	120.8	137.5	155.5



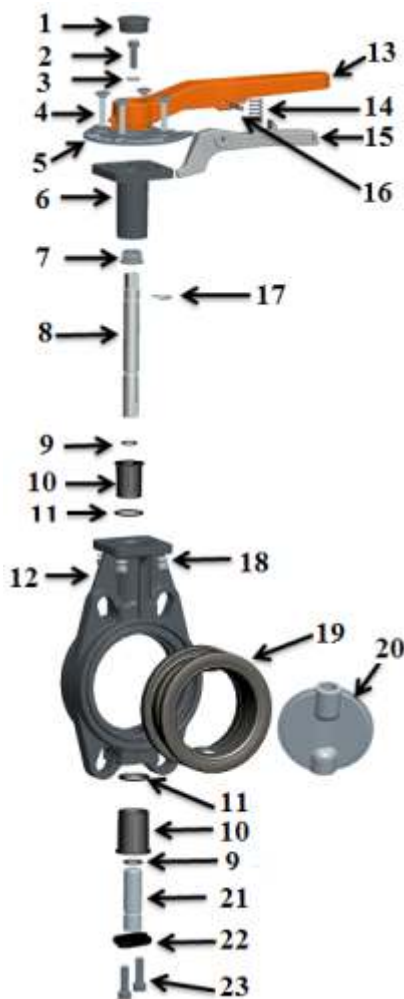
# Hybrid Wafer Type Butterfly Valve: Lever Operated

2", 2½", & 3"



## Features

- Light Weight, easy to install.
- One Piece Body made of PVC-U.
- Disc designed ensuring low torque and low pressure loss.
- Suitable for piping in a limited space.
- Butterfly Valve for water applications (Irrigation, water treatment, Industrial etc.)



2", 2½" & 3" Butterfly Valve		
Part No.	Part Name	Material
1	Logo Cap	ABS
2	Allen Screw	SS304/316
3	Handle Washer	SS304 / MS plated
4	Carriage Bolt	SS304 / MS plated
5	Lock Plate	SS304/316
6	Sleeve	PVC
7	locking Bush	POM-MoS2
8	Shaft	SS304/316
9	Shaft O-ring	NBR
10	Bush	POM-MoS2
11	Bush O-ring	NBR
12	Body	PVC
13	Handle	ABS
14	Spring	SS304/316
15	Lever	Aluminum
16	Knurling pin	SS304/316
17	E-ring	SS304/316
18	Nut & Washer	SS304 / MS plated
19	Rubber Seal	EPDM
20	Disc	SS304/316
21	Small Shaft	SS304/316
22	Base Plate	PP
23	Allen Screw	SS304

# Throttle Valve

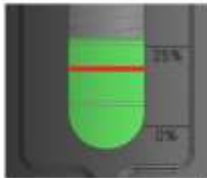
2", 2½" & 3"



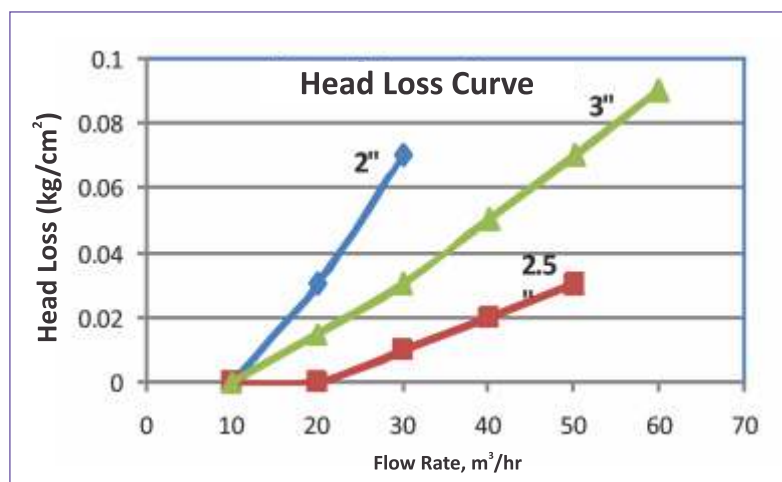
## Features

- Multi Turn, Liner motion throttle valve
- End connections : Female 2", 2½" & 3" BSP/NPT Threaded type
- Operating Pressure: 6 Bar/ 90Psi
- Straight through flow with minimal head loss.
- Its slow operation prevent water hammer .
- Visual float position indicator to show us % throttle of piping system.
- Float, Body inside profile is matched by CNC machining for smooth operation and keeping the leakage under permissible limit during complete shut off.
- **Maintaining seat leakage permissible limit as per standard ANSI/FCI-70-2-2006 in Class III (0.10%) .**
- Chemical/Corrosion resistant, Color UV stablized.

## Product Highlights



- Steel Rod inserted in full length during injection moulding of Shaft made of Reinforced Nylon , that gives excellent strength without breakage during rough usage.
- Dowel pin inserted in the shaft to prevent extra travel of float which do not transfer load on during extra tightening by farmers. This prevents breakage of cap.
- During assembly of throttle valve, 2 nos. lock pins inserted to avoid any slippage or loosening of threads of throttle valve cap.

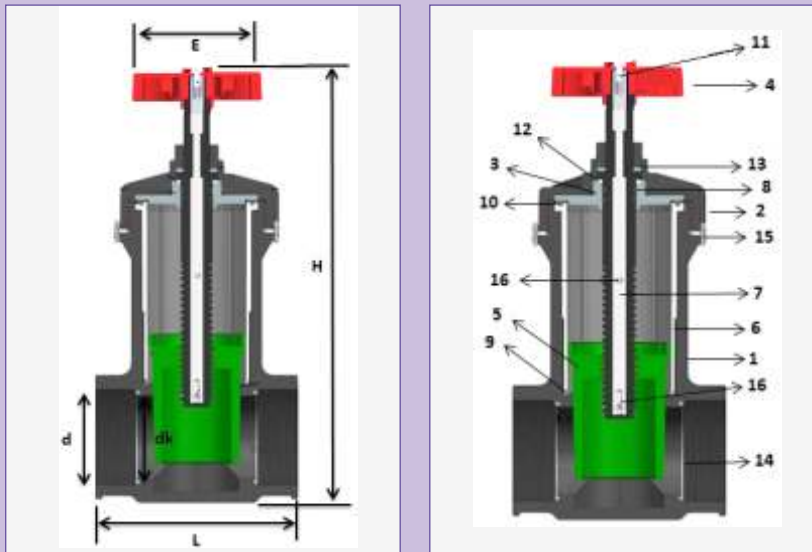


Head Loss Curve of Throttle Valves (When Valves Fully Open)



# Throttle Valve

2", 2½" & 3"



## Material Specification

PART NO	PART NAME	MATERIAL	QTY.
1	Body	Reinforced PP	1
2	Flange	Reinforced PA	1
3	Disc	Reinforced PA	1
4	Handle	Reinforced PA	1
5	Cylinder	Reinforced PP	1
6	PC Housing	Polycarbonate	1
7	Shaft	Reinforced PA+Steel	1
8	Shaft O-ring	NBR	2
9	Bottom Gasket	NBR	1
10	Sleeve Gasket	NBR	1
11	Handle Screw	SS-304	1
12	Tefflon Seal Big	Teflon	1
13	Tefflon Seal Small	Teflon	1
14	Housing Gasket	NBR	2
15	Locking Pin	SS-304	2
16	Dowel Pin(4*30) SS	SS-304	2

## Dimensions (mm)

Nom Size	BSP Thd./in	NPT Thd./in	d	dk	E	L	H
50mm (2")	11	11.5	65	48	117	130	275
65mm (2½")	11	8	74	63	117	182	390
80mm (3")	11	8	93	74	117	182	390

\* Also available in 3" & 4" Flanged version.

# Plastic Angle Seat Valve

2"



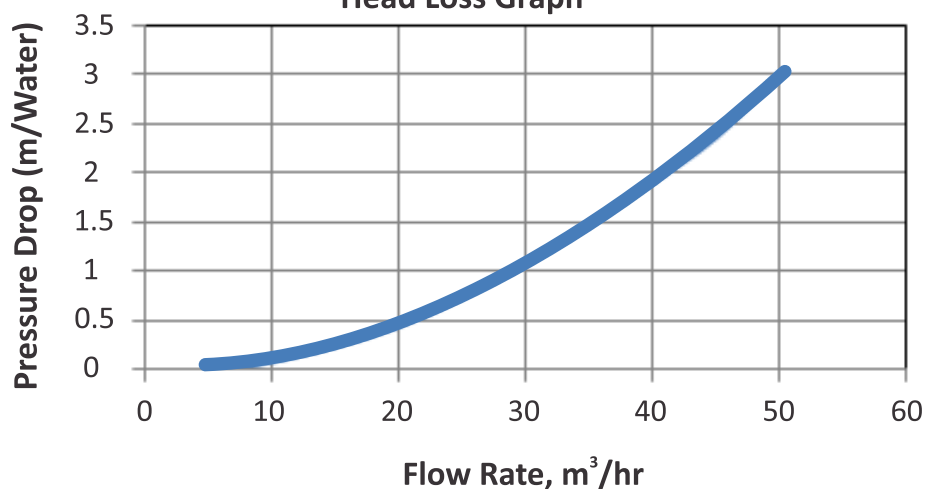
## Features

- Sturdy and solid design.
- Multi turn liner motion throttling valve.
- Material used is Engineering Plastic for strength & durability.
- Easy to open and clean after period operation when used in underground valve box.
- Smooth movement using throttling wheel, makes the user operate the valve easily.
- No leakage within operating pressure range, when valve completely shut off.
- Easy to dismantle and assemble.
- Direction of flow mentioned.
- Can be installed in horizontal and vertical lines.
- Does not cause water hammering when operated.
- Has lesser turbulence during throttling.
- Chemical / Corrosion Resistant & UV protected.

## Technical Specifications

1	Operating Pressure Range	0 to 10 bar
2	Pressure Rating	PN 10
3	Material of Construction	High Strength Polypropylene
4	Connection Size	2" BSP/NPT Male Threaded
5	Operation Type	Manual Hand Operated
6	Flow Rate	10 to 50 m <sup>3</sup> /hour
7	Recommended Flow Media	Water
8	Seal Material	High Quality Nitrile

## Head Loss Graph



# Plastic Angle Seat Valve

2"

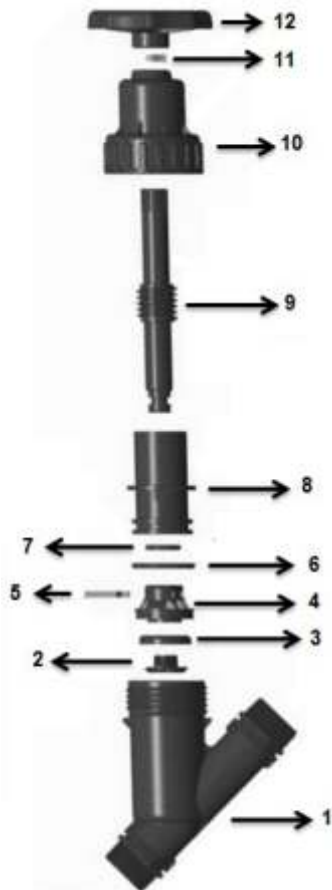


## Applications

- Suitable for high flow applications.
- Installed in lines where conventional ball and other irrigation valves are difficult to install and operate.
- Medium to large throttling capability.
- Used for Turf Irrigation in valve box where ease of installation is required.

## Material Specification

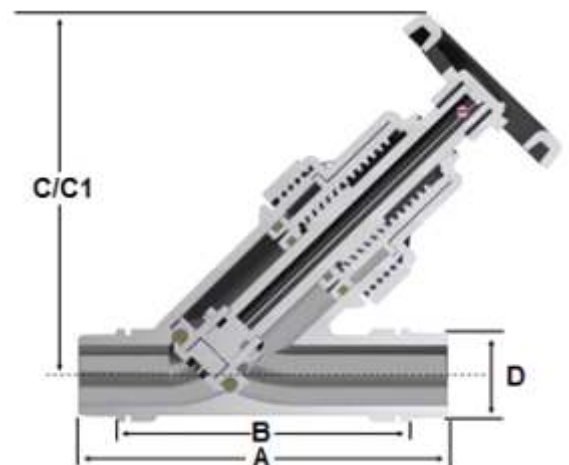
PART NO	PART NAME	MATERIAL	QTY.
1	Body	Polypropylene	1
2	Seal Cup Lock	Polypropylene	1
3	Seal	NBR	1
4	Seal Cup	Polypropylene	1
5	Lock Clip	Polypropylene	1
6	Stem Housing O-Ring (Outer)	NBR	1
7	Stem Housing O-Ring (Inner)	NBR	1
8	Stem Housing	Polypropylene	1
9	Shaft	Polypropylene	1
10	Cap	Polypropylene	1
11	Lock Pin	Stainless Steel	1
12	Throttle Wheel	Polypropylene	1



## Dimensions (mm)

D	2" / 50mm
A	252
B	200
C	254
C1	292

C: When Valve is fully closed. /  
C1: When Valve is fully open.



# Spring Loaded ball type Plastic Check Valve

2", 2½" & 3"



## Features

- Delivers High Volume of water quickly with unrestricted full flow.
- Guided Ball for smooth operation.
- Polypropylene Material gives excellent chemical and corrosion resistant
- Prevents leakage from Ball seal at lower pressure.
- Spring Loaded Guided Ball for smooth & quick operation.
- Two Ports with pre factory installation of Vacuum Breaker at Inlet & End Plug at out port.
- Inlet Pressure port can be use for priming of pump.
- Arrow for correct installation of Check valve.
- Universal Flange connection comply multi-International Flange standards.

## Applications

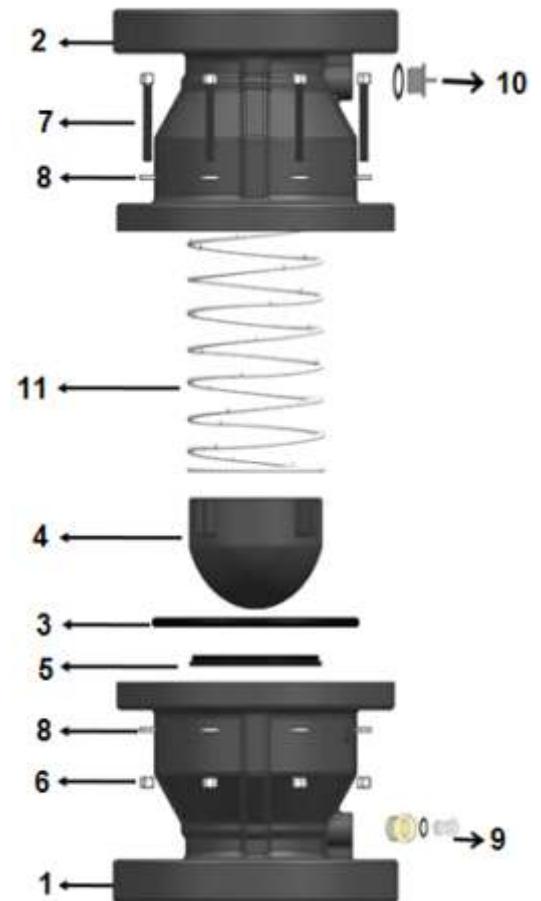
- For use after pumps and boosters, lateral pivots, filtration systems, swimming and as a foot check valve for pumping from ponds.
- Recommended in micro/drip irrigation systems as a safety valve to prevent the water hammer and to maintain water column in delivery pipe.

## Technical Specifications

- Type of check valve: Guided Ball Check Valve
- Connection: 2" (50mm), 2½" (65mm) & 3" (80mm) Flanged End
- Max. Operating Pressure: 6.0 kg/cm<sup>2</sup>
- Min. Cracking pressure: Valve begins to open at 2 to 3Psi
- Horizontal and vertical installation
- Flange dimensions suited for Standard: BS10 (Table D & E), ANSI Class 125/150, ISO 7001 (DIN), BS EN 1092
- Clean passage area is more which leads to minimal head loss (< 0.15 Kg/cm<sup>2</sup>) at nominal flow rate.

### Material Specification

PART NO	PART NAME	MATERIAL	QTY.
1	Body (Inlet Side)	PPGF	1
2	Body (Outlet Side)	PPGF	1
3	Body O-ring	NBR	1
4	Ball	ABS	1
5	Ball Seal	NBR	1
6	Nut	SS	8 each
7	Bolt	SS	8 each
8	washer	SS	16 each
9	Vaccum breaker	BRASS	1
10	Plug	PPGF	1
11	Spring	SS	1



# Wafer Type Swing Check Valve

3" & 4"



## Features & Applications

- High performance and Cost Effective design.
- Requires little space in the piping system.
- PVC-U Material gives excellent chemical and corrosion resistant
- Prevents leakage from flap seal at lower pressure.
- Easy installation: Wafer body slips between the standard flanges.
- No flange gaskets required.
- Arrow for correct installation of Check valve.
- Light weight
- Recommended in micro/drip irrigation systems as a safety valve to prevent the water hammer and to maintain water column in delivery pipe.

## Technical Specifications

- Type of check valve: Swing Type Check Valve
- Connection: 3" (80mm) & 4" (100mm)
- Max. Operating Pressure: 6.0 kg/cm<sup>2</sup>
- Min. return pressure: 0.2bar or 3Psi (Minimal downstream pressure to keep the valve closed in horizontal position).
- Horizontal and vertical installation

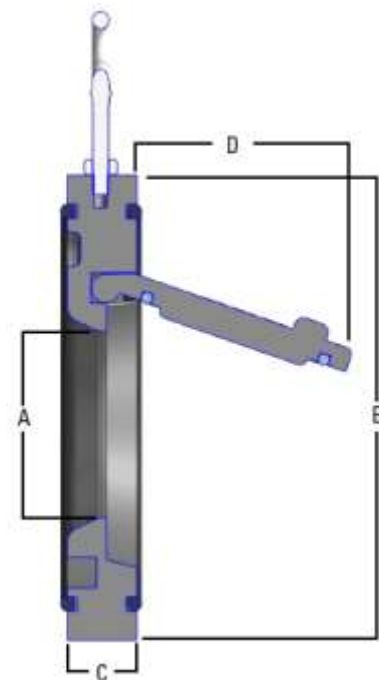
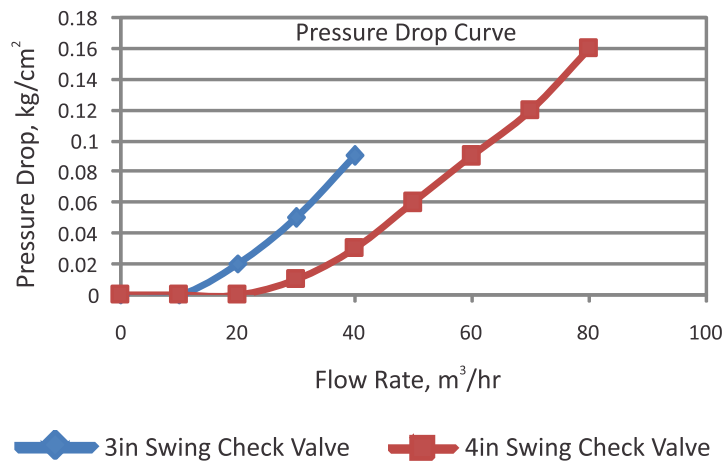
## Material Specification

PRODUCT CODE			
PART NO	PART NAME	MATERIAL	QTY.
1	Body	PVC-U	1
2	Flap	PVC-U	1
3	Cap	PP	2
4	Body O-ring	EPDM	2
5	Flap O-ring	EPDM	1
6	I Bolt	Plated MS	1



## Dimensions (in mm)

Size	Nom. Dia	A	B	C	D
3"	80	54.3	129	21	67.5
4"	100	64	159	25	78



E-mail: [contactus@automatworld.com](mailto:contactus@automatworld.com)  
 Website: [www.automatworld.com](http://www.automatworld.com)

*Creating a Green World*

# Cast Iron Ball Check Valve

2½", 3", 4", 5", 6" & 8"



## Features

- Simple and robust design so no mechanism involved.
- MS reinforced NBR coated ball for excellent and over years consistent performance.
- Minimum Head Loss: Clear passage equal to nominal valve dia gives uninterrupted flow, resulting low energy consumption.
- Self cleaning by rolling movement of ball avoid scaling inside or on ball.
- Ball is the only moving part inside, avoid clogging and maintenance free performance.
- Walls inside Check valves are epoxy coated gives free and frictionless movement to water and for longer life of ball.
- ½" Female threaded BSP/NPT port at Inlet of valve: Bypass/priming of pump if required.
- Arrow for correct installation of Check valve.

## Technical Specifications

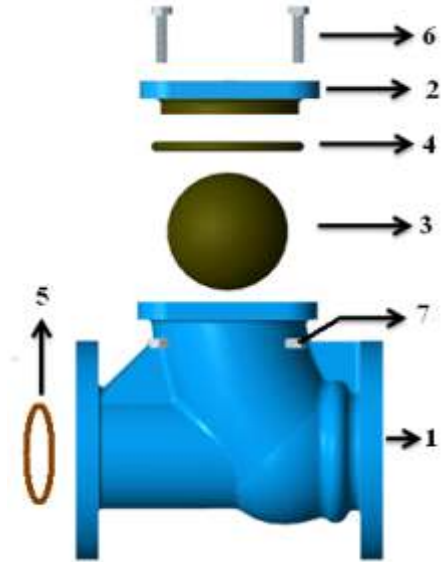
- Type of check valve: Ball type Flanged End Check Valve
- Flanged End Connection: 2½" (65mm), 3" (80mm), 4" (100mm), 5" (125mm), 6" (150mm) & 8" (200mm)
- Max. Operating Pressure : upto 4": 16 kg/cm<sup>2</sup> (PN 16) and above 4": 10 kg/cm<sup>2</sup> (PN 10)
- Min. Cracking pressure: Valve begins to open at 1 to 1.5Psi
- Face to Face length: IS 5312 Part - 1: 1984/ DIN 3202 - F6
- Flange dimensions suited for Standard: BS10 (Table D) /Bs4504

## Material Specification

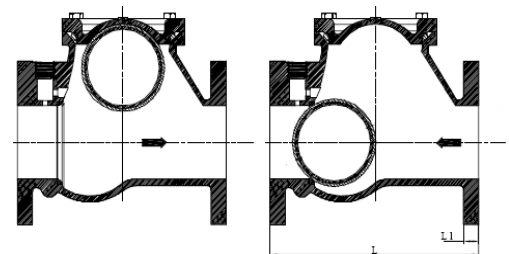
PART NO	PART NAME	MATERIAL	QTY.
1	FV Body	Cast Iron	1
2	FV Ball	NBR + CRC	1
3	FV Body Seal	NBR	1
4	FV Ball Seal	L. T. Bronze	1
5	FV Strainer	Cast Iron	1
6	Bolt	MS Plated	4/6/8
7	Nut	MS Plated	4/6/8

## Dimensions (mm/Inch)

Size	2½"	3"	4"	5"	6"	8"
Nom. Dia (D1)	65	80	100	125	150	200
H	210/8.3	245/9.7	283.5/11.2	320/12.6	395/15.6	500/19.7
L	240/9.5	263/10.4	300/11.8	350/13.8	400/15.8	496/19.5
L1	20/0.80	20/0.80	22/0.87	22/0.87	24/0.94	28/1.1
D2	165/6.5	184/7.2	216.85	254/10	279/11	340/13.4
d	17/0.67	17/0.67	17/0.67	17/0.67	17/0.67	17/0/67
PCD	127/5	146/5.8	178/7	210/8.3	235/9.3	292/11.5
No. of Holes	4	4	4	8	8	8

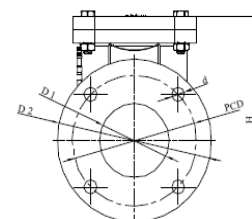


## Check Valves Size & Dimensions



Open Position

Closed Position



# Cast Iron Foot Check Valve

2½", 3" & 4"



## Features

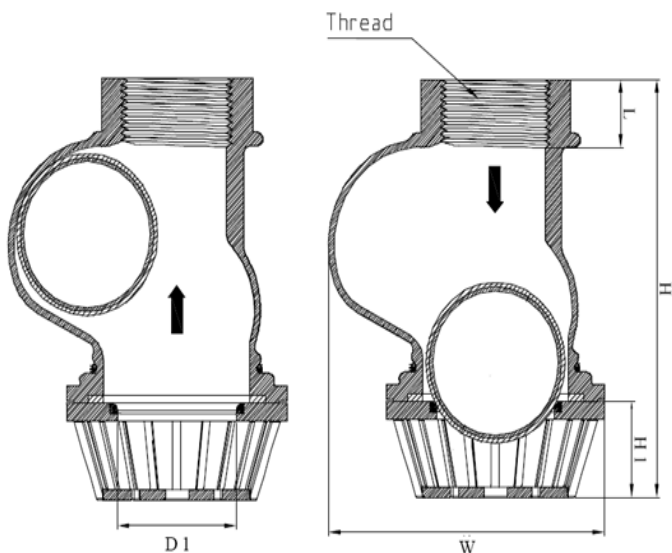
- Simple and robust design so no mechanism involved.
- Keep the continuous presence of suction within the pump.
- MS reinforced NBR coated ball for excellent and over years consistent performance.
- Minimum Head Loss: Clear passage equal to nominal valve dia gives uninterrupted flow, resulting low energy consumption.
- Self cleaning by rolling movement of ball avoid scaling inside or on ball.
- Walls inside Foot valves are epoxy coated gives free and frictionless movement to water and for longer life of ball.
- Body and Cover Plate outside walls are enamel painted (RAL 5015).
- A strainer prevents debris from lakes, well, ponds etc. entering the piping system.

## Technical Specifications

- Type of Foot Valve: Ball Type Female Threaded
- Threaded Connection: 2½", 3", 4" BSP/NPT Female Threaded
- Max. Operating Pressure : 10 kg/cm<sup>2</sup> (PN 10)

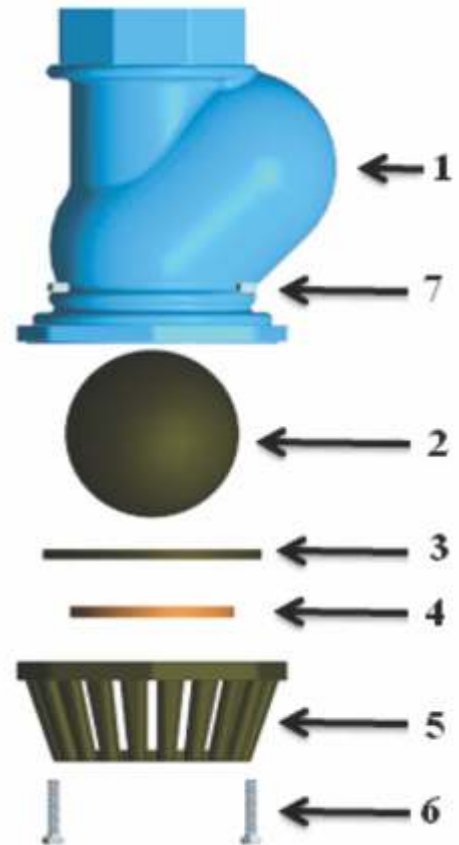
## Material Specification

PART NO	PART NAME	MATERIAL	QTY.
1	FV Body	Cast Iron	1
2	FV Ball	NBR + CRC	1
3	FV Body Seal	NBR	1
4	FV Ball Seal	L. T. Bronze	1
5	FV Strainer	Cast Iron	1
6	Bolt	MS Plated	4/6/8
7	Nut	MS Plated	4/6/8



Fully Open Position

Fully Closed Position



## Dimensions (mm/Inch)

Size	Thread	D1	H	H1	L	W
2½"	2½" BSP/NPT	65/2.55	218/8.58	67.5/2.66	30.5/1.2	168/6.6
3"	3" BSP/NPT	79/3.11	260/10.24	65/2.56	32.5/1.28	200/7.87
4"	4" BSP/NPT	100/3.93	305/12	75/2.95	38/1.50	256/10.1

# Bronze Hydraulic Control Valve

1", 1½" & 2"



Hydraulically operated valve for green house irrigation system as well as turf and field crop irrigation.

## Features

- Simple and robust design, only 4 parts involved.
- Bronze Body and cover plate for durability and corrosion resistant.
- Metal reinforced rubber valve lid designed for smooth operation without deformation at high pressure with drop tight shutoff.
- Very less down time.
- Minimum Head loss due to very efficient internal design.
- Arrow for correct installation of hydraulic valve.
- Compatible with most irrigation controllers available in market.

## Hydraulic Valve Operation ( 3 Way control )

- Full Close Position: This device admits pressure into the control Chamber.
- Fully Open Position: This device relieves pressure into the atmosphere.

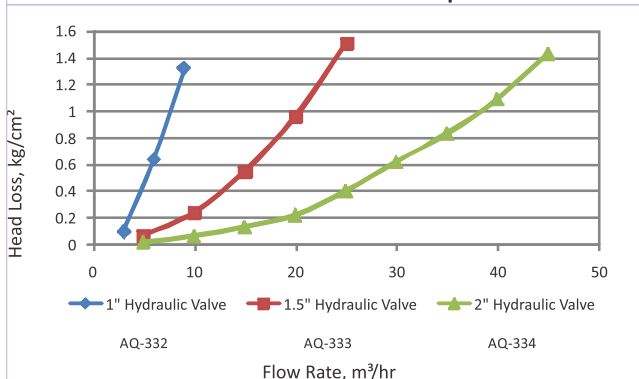
## Technical Specifications

- Inlet/ Outlet connection: 1", 1½" & 2" BSP/ NPT Female Threaded.
- 3 Way Valve Port: Female threaded  
1" HV: 1/8"-28 BSP or 1/8"-27NPT  
1½" & 2" HV: 1/4"-19 BSP or 1/4" - 18NPT
- Pressure Ports: Female threaded-  
1" HV: 1/8"-28 BSP or 1/8"-27NPT - 1½" & 2" HV: 1/4"-19 BSP or 1/4" - 18NPT
- Operating Pressure Range : 0.6 - 10 kg/cm<sup>2</sup> (8 -145Psi).
- Pressure Rating: PN 10.
- Temperature Range: (with water) Upto 60°C.

## Material Specification

PART NO	PART NAME	MATERIAL	QTY.
1	Body	Bronze	1
2	Cover Plate	Bronze	1
3	Valve Lid	EPDM	1
4	Spring	SS	1
5	Bolt	SS	4

## Performance Graph



## Hydraulic Performance

Valve Size	mm	25	40	50
	inch	1"	1½"	2"
Recommended Flow Range V-1.5-5 m/s or 5-17 f/s	m <sup>3</sup> /hr	2-5	5-12	10-25
	gpm	8-22	22-53	44-110
Max. Flow	m <sup>3</sup> /hr	5	12	25
Continuance (Qn)	gpm	22	53	110
Max. Flow Intermittant (Qmax)	m <sup>3</sup> /hr	9	22	45
	gpm	40	97	198
Kv (m <sup>3</sup> /hr @ 1 bar)		8	20	38
Cv (gpm @ 1 Psi)		9	23	43



# Bronze Hydraulic Pilot based Control Valve

1", 1½" & 2"



## Features

- Simple and robust design, only 4 parts involved.
- Bronze Body and cover plate for durability and corrosion resistant.
- Metal reinforced rubber valve lid designed for smooth operation without deformation at high pressure with drop tight shutoff.
- Very less down time.
- Minimum Head loss due to very efficient internal design.
- Arrow for correct installation of hydraulic valve.
- Compatible with most irrigation controllers available in market.
- Pilot designed for quick sensing of line pressure and work for pressure reducing, pressure sustaining/pressure relief.

## Applications

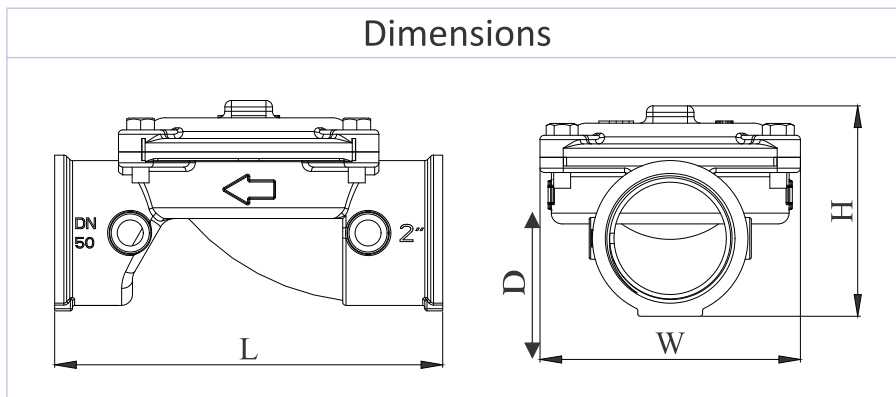
### Pressure Reducing Valve

- The bronze hydraulic valve with brass/plastic pilot is best for general water supply system, irrigation, filtration network and systems subjected to sudden demand changes with medium pressure rating
- The valve maintains a preset downstream pressure regardless of upstream pressure or flow fluctuations.

### Pressure Sustaining / Relief Valve

- Pressure sustaining valve installed in-line, it sustain minimum back pressure, preventing line emptying and pump overloading.
- Pressure relief valve installed off-line, when line pressure rises above a desired set pressure, the valve opens to reduce excessive upstream pressure..

## Dimensions



## Dimensions

Model No.	Valve Size		D		L		H		W	
	mm	Inch	mm	Inch	mm	Inch	mm	Inch	mm	Inch
AQ-332	25	1"	21.5	0.85	117	4.61	68.5	2.70	72	2.83
AQ-333	40	1½"	31	1.22	153.5	6.04	85	3.35	95	3.74
AQ-334	50	2"	39	1.54	180.5	7.11	100	3.94	119	4.69

# Quick Coupling Valve and Key

¾" & 1"



## Features

- ¾" & 1" BSP/NPT male threaded Inlet Connection
- Glass Filled PP body & Base
- Rugged two piece designed valve.
- Specially designed grommet for no leakage at low pressure.
- Cover designed with click locking on lid
- For 70P & 71P QCV Models "Spiral Turn & Lock" key with ribbed gripping
- For 70PM & 71PM QCV Models "Push & Lock" key with Hex gripping
- Strong corrosion-resistant stainless steel spring prevents leakage.
- Green Polypropylene UV resistant Cap for durability.
- Specially designed for application in public areas.
- Operating Pressure Range: 0.25 to 6 bar
- Operating Range Flow Rate available in : ¾" QCV: 2.0 to 5.0 m<sup>3</sup>/h  
1" QCV: 4.0 to 10 m<sup>3</sup>/h

Height	Dimensions (mm)	
	Models	QCV
70P	13.8	26.7
70PM	15.3	25.5
71P	15.2	28
71PM	15.3	25.5

Models	Description
70P	¾" Plastic QCV (Rainbird Compatible)
70PK	¾" Plastic QCV Key ( Opener for 70P)
70PM	¾" Plastic QCV (Plasson Compatible)
70PMK	¾" Plastic QCV Key ( Opener for 70PM)
71P	1" Plastic QCV (Rainbird Compatible)
71PK	1" Plastic QCV Key ( Opener for 71P)
71PM	1" Plastic QCV (Plasson Compatible)
70PMK	1" Plastic QCV Key ( Opener for 71P)

Pressure Loss (Bar)				
Flow Rate (m <sup>3</sup> /hr)	¾" QCV		1" QCV	
	70P	70PM	71P	71PM
2	0.11	0.11		
3	0.22	0.2		
4	0.39	0.35	0.1	0.1
5	0.55	0.5	0.15	0.14
6			0.22	0.2
7			0.33	0.3
8			0.42	0.4
9			0.54	0.52
10			0.72	0.68

Dimensions (cm)		
Models	W	H
70SE	5	8.3

## Swivel Elbow

(¾" Plastic Swivel Elbow)

- ¾" Male x Female threaded Inlet Connection
- Made of Engineering Plastic construction for long durability
- Can be easily rotate in desired direction (360degree rotation)
- Leakage free design

Description	
Models	Product Descriptions
AQ-70SEP	¾" M x ¾" F Swivel Elbow



# Quick Coupling Valve and Key

¾", 1" & 1½"



## Features

- ¾", 1" & 1½" BSP/NPT Female threaded Inlet Connection
- Brass/ Bronze body & Opener (Key)
- One piece QCV body design.
- Strong corrosion-resistant stainless steel spring prevents leakage.
- Yellow thermoplastic cover for durability over years.
- Stainless Steel Spring loaded covers for positive closing and protection of valves's sealing components.
- "Spiral Turn and Lock" key with inbuild handle design for gripping  
Optional locking cover.

Flow Rate (m3/hr)	Pressure Loss (Bar)		
	¾"	1"	1½"
2	0.11		
3	0.25		
4	0.38	0.11	
5	0.52	0.15	
6		0.22	
7		0.34	
8		0.43	
9		0.52	
10		0.7	0.1
12			0.13
14			0.18
16			0.25
22			0.7
28			0.95

Models	Dimensions (cm)	
	QCV	QCV with Key
70B/BRL	10	19.2
70BR/70BRL	11.5	21.1
71B/BL	14	24
71BR/71BRL	14	31.2
71BT	14	25.8
72B	15	31

## Swivel Elbow

¾", 1" & 1½"

- ¾", 1" & 1½" BSP/NPT Male x Female threaded Inlet Connection
- Made of heavy duty Brass construction for long durability
- Can be easily rotate in desired direction (360degree rotation)
- Leakage free design

Description		Dimensions (cm)		
Models	Product Descriptions	Models	W	H
AQ-70SE	¾" M x ¾" F Swivel Elbow	70SE	61	87
AQ-71SE	1" M x 1" F Swivel Elbow	71SE	61	91
AQ-72SE	1½" F x 1" M Swivel Elbow	72SE	76	98

Description	
Models	Descriptions
AQ-70B	¾" Brass QCV
AQ-70BR	¾" Bronze QCV (Rainbird Compatible)
AQ-70BL	Model 70B with Lockable cover
AQ-70BRL	Model 70BR with Lockable cover
AQ-70BK	¾" Brass QCV Key ( Opener for 70B, BL)
AQ-70BRK	¾" Bronze QCV Key (Opener for 70BR, BRL)
AQ-71B	1" Brass QCV
AQ-71BR	1" Bronze QCV (Rainbird Compatible)
AQ-71BL	Model 71B with Lockable cover
AQ-71BRL	Model 71BR with Lockable cover
AQ-71BT	Model 71B (Toro Compatible)
AQ-71BK	1" Brass QCV Key ( Opener for 71B, BL)
AQ-71BRK	1" Bronze QCV Key (Opener for 71BR, BRL)
AQ-71BTK	1" Brass QCV Key (Opener for 71BT)
AQ-72B	1½" Bronze QCV
AQ-72BK	1½" Bronze QCV Key ( Opener for 72B)
AQ- 70SK	Steel Key for all Lockable QCV



E-mail: [contactus@automatworld.com](mailto:contactus@automatworld.com)  
Website: [www.automatworld.com](http://www.automatworld.com)

*Creating a Green World*

# Vacuum Breaker Valve

1/2", 3/4" & 1"

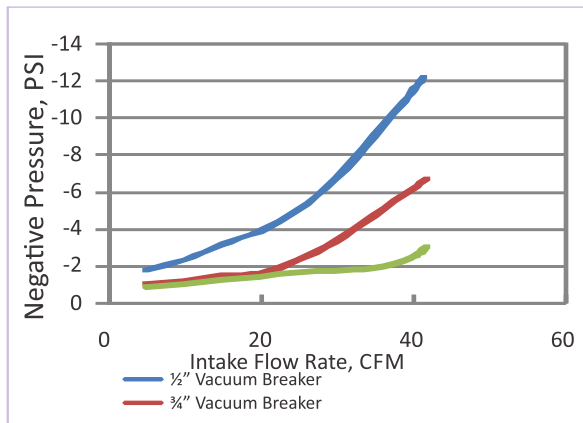


## Features

- Large orifice allows fast intake of air.
- Pressure balanced float.
- Designed for smooth and reliable operation for longer period.
- Superior plastic material resistant to Chemical and fertilizer.
- Less parts involve for lower maintenance.

## Applications

- Anti Siphon Vacuum Breaker designed for irrigation system.
- For vacuum break in head unit, dripline, protect pipe system from excessive vacuum and collapse, fast drain of filters & avoid suction dust into the emitters.
- Prevents pipe Collapse during transient pressure drop.



## Technical Specifications

- Min. Sealing Pressure : 6 PSI / 0.4bar
- Max. Working Pressure: 150 PSI / 10bar
- Max. Temperature: 50°C
- Model86VB & 86VBSL: 1/2" BSP/NPT Male thread
- Model87VB & 87VBSL: 3/4" BSP/NPT Male thread
- Model88VB & 88VBSL: 1" BSP/NPT Male thread

## Product Code

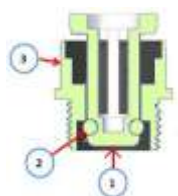
	BSP Threaded		NPT Threaded	
	Regular	Spring Loaded	Regular	Spring Loaded
BSP Threaded	ERP Code	ERP Code	ERP Code	ERP Code
1/2" Vacuum Breaker	25000003	25000018	25000014	25000083
3/4" Vacuum Breaker	25000004	25000019	25000015	25000084
1" Vacuum Breaker	25000007	25000020	25000016	25000085



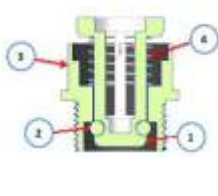
CLOSE



OPEN



Model : 86VB  
87VB & 88VB



Model: 86VBSL  
87VBSL & 88VBSL

## Material Description

S.No.	Description	Qty.	Material	
			Regular	Spring Loaded
1	Float	1	PPGF	PPGF
2	Float O-ring	1	EPDM	EPDM
3	Body	1	Nylon GF/PPGF	Nylon GF/PPGF
4	Spring	1		SS-304

# Air Release / Vacuum Relief Valve

¾", 1" & 1 ½"



## Features

- Engineering Plastic for durability
- Large Volume air release when line is filled.
- Positive vacuum relief when line is draining.
- Do not leak at low pressure.
- Venting passage protect by Screen

## Technical Specifications

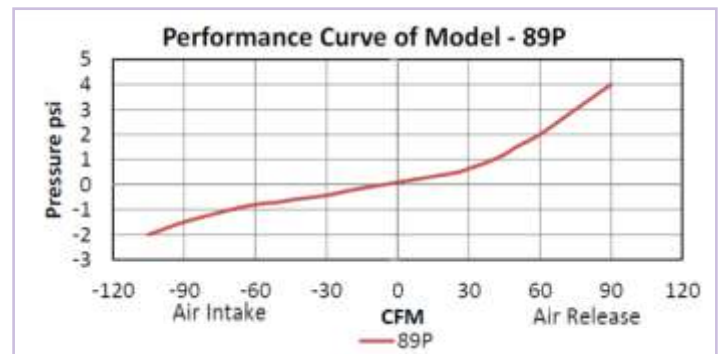
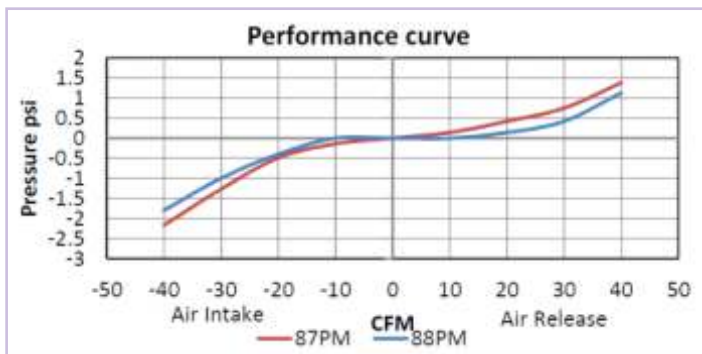
- Min. Sealing Pressure : For ¾", 1" & 1 ½" : 5 - 7 PSI
- Working Pressure Range: For ¾", 1" & 1 ½" : 5 - 175 PSI

## Inlet Connection

- For ¾", 1" & 1 ½" : BSP/NPT Male Threaded

## Functions

- Expulsion (Kinetic Air): When the pipe is being filled, the air release valve remains open expelling all the surplus air outside the installation. When the pipe is full of water, air release valve closes tightly.
- Air Admission (Air Intake): While negative pressure (pipe vacuum) the air release valve opens to allow the air to go inside the pipe. This system avoids possible damages in pipes and accessories.



## Dimension & Weight Chart

Models	Nominal		Clear Opening dia		Height		Width		Weight	
	In.	mm	In.	mm	In.	mm	In.	mm	Lbs.	gm.
87PM	¾"	20	0.67	17	5.67	144	2.15	54.5	0.23	105.2
88PM	1"	25.4	0.67	17	5.65	143.5	2.15	54.5	0.24	107.8
89P	1 ½"	38	1.04	26.5	7.4	188	3.17	80.5	0.611	277



E-mail: [contactus@automatworld.com](mailto:contactus@automatworld.com)  
 Website: [www.automatworld.com](http://www.automatworld.com)

*Creating a Green World*

# Air Release / Vacuum Relief Valve

¾", 1", 2" & 3"



## Features

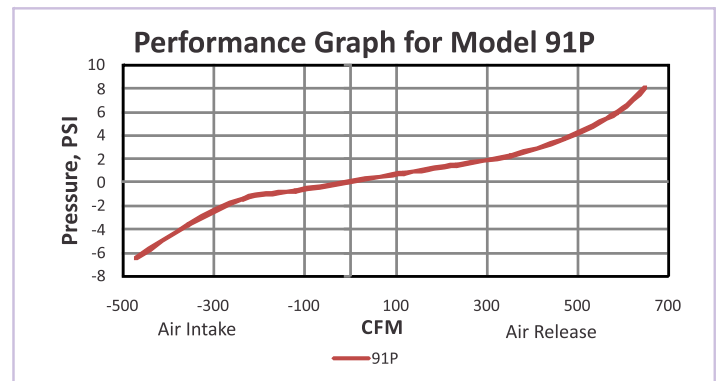
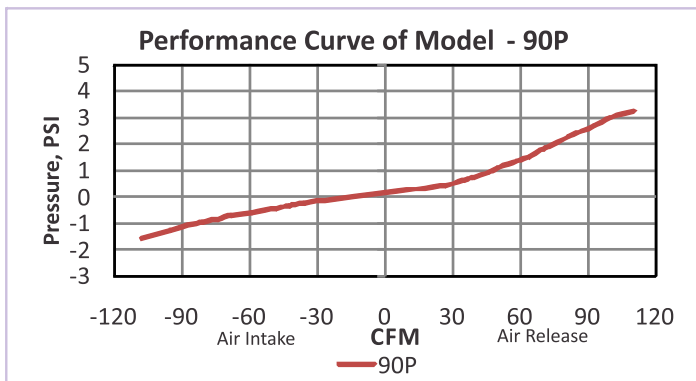
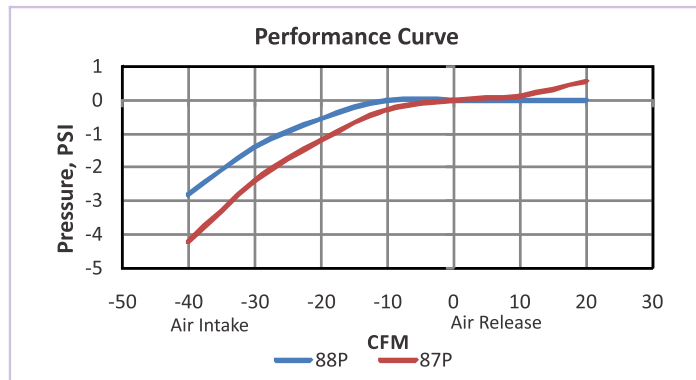
- Engineering Plastic for durability
- Large Volume air release as line is filled.
- Positive vacuum relief when line is draining.
- Do not leak at low pressure.
- Venting passage protect by Screen

## Technical Specifications

- Min. Sealing Pressure : For ¾" to 3" : 5 - 7 PSI
- Working Pressure Range: For ¾" to 2": 5 - 175 PSI

## Inlet Connection

- For ¾" to 2" : BSP/NPT Male Threaded
- For 3" : BSP/NPT Female Threaded



## Dimension & Weight Chart

Models	Nominal		Clear Opening dia		Height		Width		Weight	
	In	mm	In	mm	In	mm	In	mm	Lbs	gm
87P	¾"	20	0.67	17	5.16	131.1	1.83	46.5	0.20	90.4
88P	1"	25.4	0.67	17	5.23	132.9	1.83	46.5	0.19	85
90P	2"	50.8	1.34	34	10.67	271	3.95	100.4	1.30	590
91P	3"	76.2	1.97	50	9.93	252.2	4.01	101.8	1.17	530

# Continuous Acting Air Release & Vacuum Relief Valve

1" & 2"



## Functions

- **Expulsion (Kinetic Air):** When the pipe is being filled, the air release valve remains open expelling all the surplus air outside the installation. When the pipe is full of water, air release valve closes tightly.
- **Air Admission (Air Intake):** While negative pressure (pipe vacuum) the air release valve opens to allow the air to go inside the pipe. This system avoids possible damages in pipes and accessories.
- **Expulsion of the residual air (Automatic Air):** The air release valve constantly releases the residual air generated in the installation (due to water level changes in reservoir during fertigation / leakages in suction pipe, fittings), expelling air even when the system is under pressurized condition.

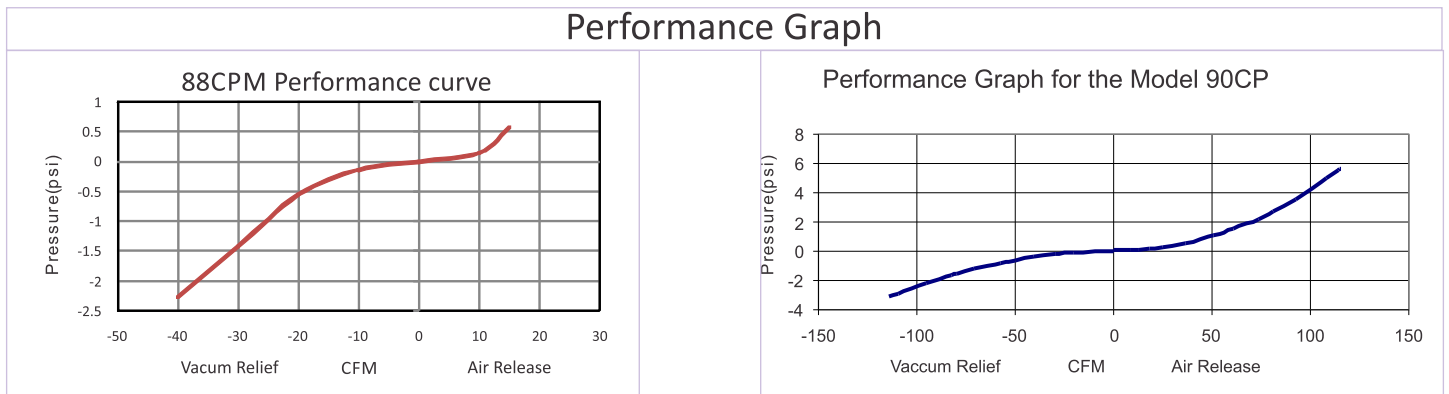
## Technical Specifications

- Min. Sealing Pressure : For 1" & 2" : 5 - 7 PSI
- Working Pressure Range: For 1" & 2" : 7 - 175PSI

## Inlet Connection

- Inlet Connection: Male BSP / BSPT / NPT threaded
- Available Connections Size: 1" & 2"

## Performance Graph



## Dimension & Weight Chart

Models	Nominal		Clear Opening dia		Height		Width		Weight	
	In	mm	In	mm	In	mm	In	mm	Lbs	gm
88CPM	1"	25.4	0.67	17	5.71	145	2.13	54	0.26	120
90CP	2"	50.8	1.35	34.4	10.59	269	3.95	100.4	1.51	684.5



E-mail: [contactus@automatworld.com](mailto:contactus@automatworld.com)  
 Website: [www.automatworld.com](http://www.automatworld.com)

*Creating a Green World*

# Air Release / Vacuum Relief Valve

1", 1½", 2", 3" & 4"



## Features

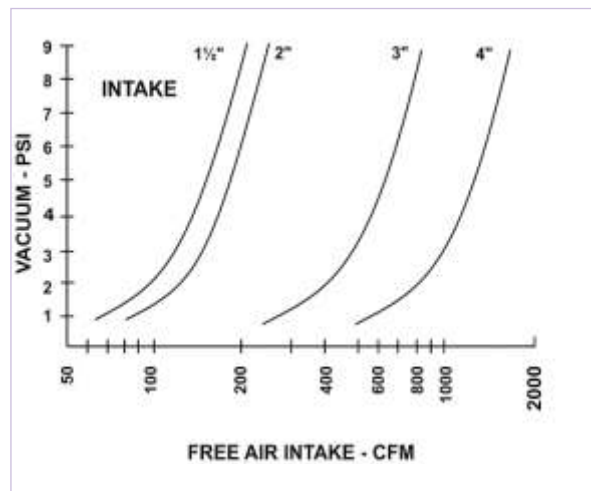
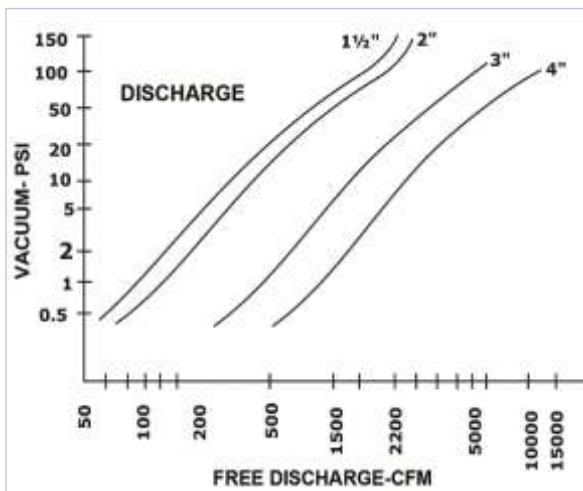
- Light weight Aluminum body.
- Large Volume air release as line is filled.
- Positive vacuum relief when line is draining.
- Do not leak at low pressure.
- Venting passage protect by cover.

## Technical Specifications

- Min. Sealing Pressure : For 1" & 1½": 5 - 7 PSI  
For 2" to 4" : 7 - 10 PSI
- Working Pressure Range: For ½" & 2" : 5 - 150 PSI  
For 3" & 4" : 7 - 100 PSI

## Functions

- Expulsion (Kinetic Air): When the pipe is being filled, the air release valve remains open expelling all the surplus air outside the installation.
- When the pipe is full of water, air release valve closes tightly.
- Air Admission (Air Intake): While negative pressure (pipe vacuum) the air release valve opens to allow the air to go inside the pipe.
- This system avoids possible damages in pipes and accessories.



1 CFM = 1.699 m<sup>3</sup>/h

1 PSI = 0.70307 mwc

## Dimension & Weight Chart

Models	Nominal		Clear Opening dia		Height		Width		Weight	
	In	mm	In	mm	In	mm	In	mm	Lbs	gm
AQ-88	1"	25.4	0.67	17	4.2	106.5	2.2	55	0.55	250
AQ-89	1½"	38.1	1.16	29.5	4.9	123.5	3.2	82.5	1.16	525
AQ-90	2"	50.8	1.89	48	5.7	145.5	3.5	88	1.65	750
AQ-91	3"	76.2	2.54	64.5	7.9	200	4.9	124	3.63	1647
AQ-92	4"	101.6	3.43	87	9.7	247.5	7.1	180.5	6.72	3050



# Continuous Acting Air Release & Vacuum Relief Valve

2", 3", & 4"



## Features

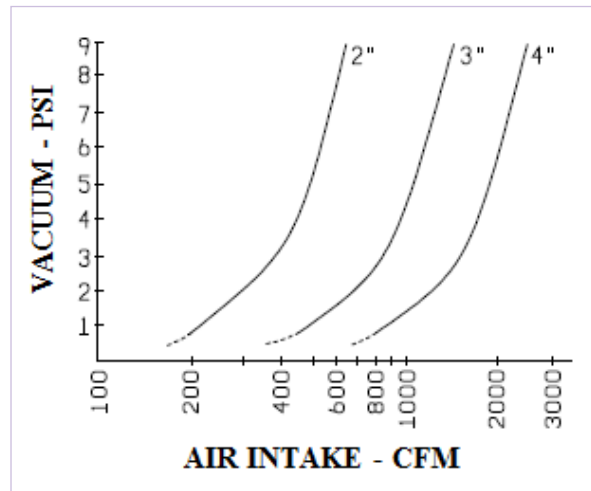
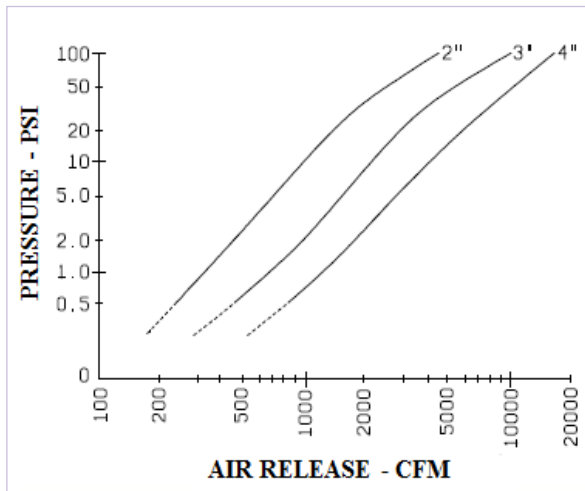
- Light weight Aluminum body.
- Large Volume air release when line is filled.
- Connection Size: 2" Female threaded BSP/NPT Positive vacuum relief when line is draining.
- Continuously release air pockets while line is in operation.
- Do not leak at low pressure.

## Technical Specifications

- Continuous Air Release/Vacuum Relief Valve
- Min. Sealing Pressure : For 2" to 4" : 7 PSI
- Working Pressure Range: For 2" : 7 - 150PSI  
For 3" & 4" : 7 - 100 PSI
- Inlet Connection: Female BSP/NPT threaded
- Available Connections Size: 2", 3" & 4"

## Functions

- **Expulsion (Kinetic Air):** When the pipe is being filled, the air release valve remains open expelling all the surplus air outside the installation. When the pipe is full of water air release valve closes tightly.
- **Air Admission (Air Intake):** While negative pressure (pipe vacuum) the air release valve opens to allow the air to go inside the pipe. This system avoids possible damages in pipes and accessories.
- **Expulsion of the residual air (Automatic Air):** The air release valve constantly releases the residual air generated in the installation (due to water level changes in reservoir during fertigation / leakages in suction pipe, fittings), expelling air even when the system is under pressurized condition.



1 CFM = 1.699 m<sup>3</sup>/h  
1 PSI = 0.70307 mwc

## Dimension & Weight Chart

Models	Nominal		Clear Opening dia		Height		Width		Weight	
	In	mm	In	mm	In	mm	In	mm	Lbs	gm
AQ-90C	2"	50.8	1.99	50.5	10.5	266	5.3	135	5.82	2640
AQ-91C	3"	76.2	3.03	77	11.2	285.5	6.9	176	10.23	4640
AQ-92C	4"	76.2	3.03	77	11.7	297.5	6.9	176	11.02	5000



E-mail: [contactus@automatworld.com](mailto:contactus@automatworld.com)  
Website: [www.automatworld.com](http://www.automatworld.com)

*Creating a Green World*

# Pressure Relief Valve (High Pressure System)

2" & 3"



AQ-102/103



AQ-102C/103C

## Features

- Quick response to relief system surge pressure.
- High strength aluminum casting construction.
- Long term setting stability.
- User Friendly design
- Easy Pressure setting
- Pressure port available for pressure adjustment.

## Applications

- Pressure Relief valves are suitable for aluminum and high pressure plastic pipings used in irrigation systems.
- Pressure Relief valves are reliably protect piping system for damage caused by surge water pressure.

## Model Descriptions

Model: 102: 2" PRV

Model: 102C: 2" PRV with Cover

Model: 102HP: High pressure setting 2" PRV

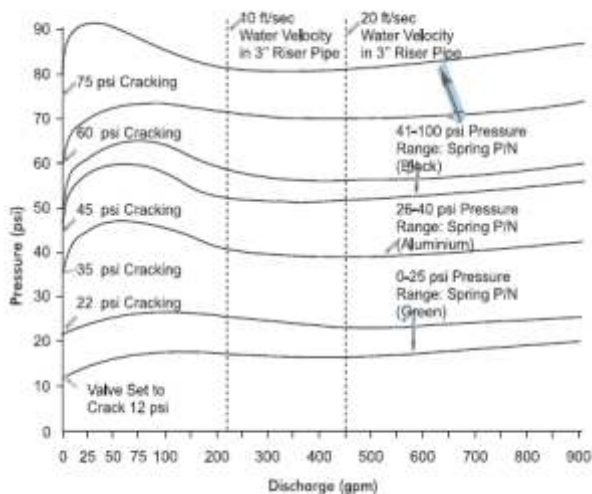
Model: 1023: 3" PRV

Model: 1023C: 3" PRV with cover

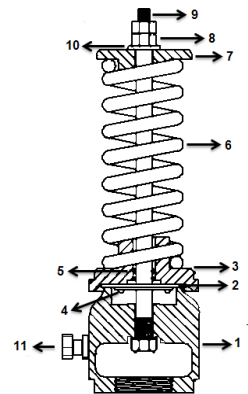
## Technical Specifications

- Available in 2" & 3" BSP/NPT Female threaded connection
- Pressure Port: 1/4" BSP/NPT Female threaded
- Pressure Relief Setting: 1.5 kg/cm<sup>2</sup> to 8.2 kg/cm<sup>2</sup> (22PSI to 120PSI)
- Pressure Relief Setting: 4.2 kg/cm<sup>2</sup> to 11.3 kg/cm<sup>2</sup> (60PSI to 160PSI)
- Cracking pressure range: 0.5 to 1.5kg/cm<sup>2</sup> (7PSI to 20PSI).
- Spring available as per high pressure and low pressure range settings.
- Tempered spring with power coated paint for long life.
- Stainless Steel Shaft for durability and consistent performance over years.
- **Standard Factory Set Pressure: 5.5 kg/cm<sup>2</sup> (80PSI)**
- Optional Aluminum Cover With drain port connection 2" BSP/NPT Female threaded

Pressure Relief Valve Performance Graph



Part No.	Part Name	Quantity
1	Body	1
2	Rubber+Teflon Gasket	1
3	Cover with plastic Bush	1
4	Gasket Retainer with Screw	1
5	Plastic Bush O-ring	2
6	Spring	1
7	Spring Retainer	1
8	Nut	2
9	Stainless steel Shaft	1
10	Washer	1
11	1/4" NPT End Plug	1



### NOTES:

1. Graphs represent actual test results of pressure relief valves that were at Center for irrigation Technology, Fresno State University Fresno, Colitornia.
2. Performance of individual valves may vary 2-3 P.S.I. from that shown due to spring variations.
3. Pressure relief valves, meet the requirements specified in SCS specification 430-EE dated April 1982 & 430-DD dated April 1982

# Pressure Relief Valve (Low Pressure System)

2"



## Features

- Quick response to relief system surge pressure.
- High strength aluminum casting construction.
- Long term setting stability.
- User Friendly design
- Easy Pressure setting
- Pressure port available for pressure adjustment.

## Applications

- Pressure Relief valves are suitable for aluminum and high pressure plastic pipings used in irrigation systems.
- Pressure Relief valves are reliably protect piping system for damage caused by surge water pressure.

## Model Descriptions

- Model 102CLF: 2" Female Threaded connection PRV
- Model 102CLM: 2" Male threaded connection PRV

## Technical Specifications

- Available in 2" BSP/NPT Female threaded connection
- Pressure Port: 1/4" BSP/NPT Female threaded
- Pressure Relief Setting: 1.5 kg/cm<sup>2</sup> to 5.5 kg/cm<sup>2</sup> (20PSI to 80PSI)
- Cracking pressure range: (0.5 to 1.5kg/cm<sup>2</sup> (7PSI to 15PSI).
- Powder Coated Aluminum Cover with 1 1/2" BSP/NPT Female threaded drain port connection.
- Electro plated Tempered spring for long life.
- MS plated Shaft for durability and consistent performance over years.
- **Standard Factor Set Pressure: 4.2kg/cm<sup>2</sup> (60PSI )**

## Pressure Relief Valve : Field Pressure adjustment Procedure

Step 1: Unscrew The Nut From The Prv Rod.	Step 2: Remove The Prv Cover.	Step 3: To Reduce The Pressure From Factory Set Pressure : Loosen Or Unscrew The Nut.	Step 3: To Increase The Pressure From Factory Set Pressure : Tighten The Nut Further.
---	-------------------------------	---	---



# Pressure Reducing / Pressure Sustaining Brass Pilot

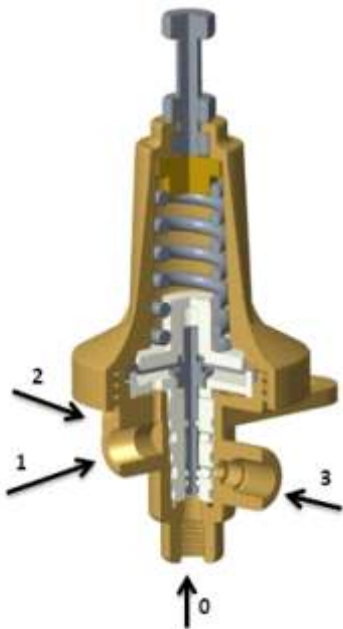


## Features

- Simple and robust design, only 4 parts involved.
- Light in weight for easy installation and maintenance.
- Brass Base and Cap for durability and corrosion resistant.
- Pilot designed for quick sensing of line pressure and work for pressure reducing, pressure sustaining/Pressure relief.
- Very less down time.
- Marking for correct installation of hydraulic valve.
- Compatible with all hydraulic valves available in market.

## Applications

- Hydraulically operated designed for green house irrigation system as well as turf and field crop irrigation.

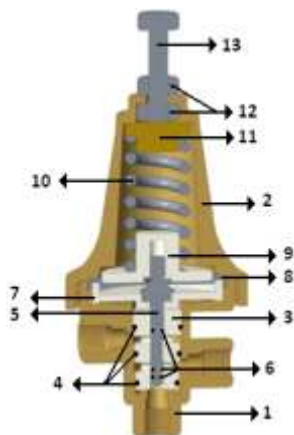


### Pilot Valve Pressure Reducing Ports:

Port	Pressure Reducing
1	Sensing / Downstream
2	Vent
3	Control Chamber
0	Pressure / Upstream

### Pilot Valve Pressure Sustaining / Pressure Relief Ports:

Port	Pressure Sustaining
1 & 2	Sensing / Upstream
3	Control Chamber
0	Vent



## Technical Specifications

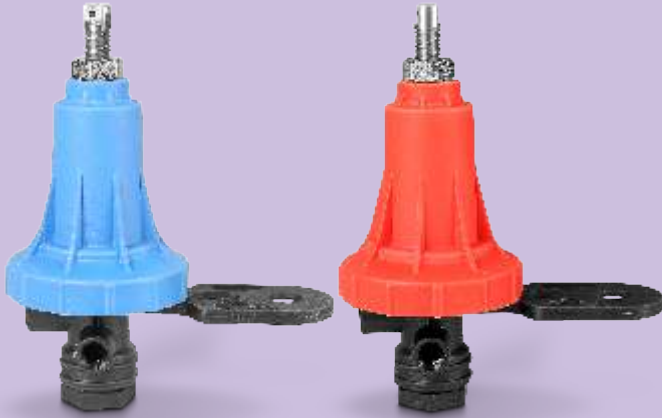
- Function: Universal (Pressure Reducing, Sustaining or Relief)
- Operating System: 3 -way
- Suitable for valve sizes : 40mm - 150mm (1½" to 6")
- **Maximum Operating Pressure**  
Metal Pilot : 20 bar
- **Ports connection**  
3 Way Metal Pilot Port: Female threaded ¼" -19 BSP or ¼"-18NPT
- **Pressure Adjustment Range**
  - **Metal Pilot**

Identification of Pilot	Adjustment	Max. Operating
Natural color Spring	0.7-6.5 kg/cm <sup>2</sup> (8 to 85 psi)	16 kg/cm <sup>2</sup>
Blue Color Spring	1-10 kg/cm <sup>2</sup> (14.5 to 145 psi)	20 kg/cm <sup>2</sup>
Red Color Spring	1-16 kg/cm <sup>2</sup> (14.5 to 232 psi)	20 kg/cm <sup>2</sup>

## Material Specification

PART NO	PART NAME	MATERIAL	Qty
1	Pilot Base	Brass	1
2	Pilot Base Cap	Brass	1
3	Stem Cylinder	Teflon	1
4	Stem Cylinder O-ring	NBR	3
5	Stem	Stainless Steel	1
6	Stem O-ring	NBR	3
7	Diaphragm Seat	Brass	1
8	Diaphragm	EPDM	1
9	Actuator	Brass	1
10	Spring	Stainless Steel	1
11	Spring Button	Stainless Steel	1
12	Nut	Stainless Steel	2
13	Adjusting Screw	Stainless Steel	1

# Pressure Reducing / Pressure Sustaining Plastic Pilot

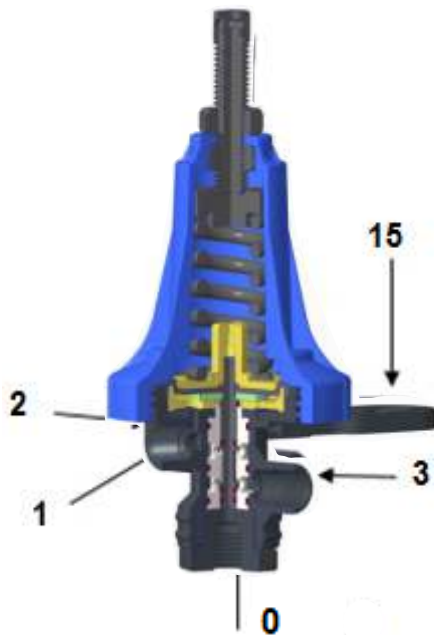


## Features

- Simple and robust design, only 4 parts involved.
- Light in weight for easy installation and maintenance.
- Glass Reinforced plastic Base & Body for strength.
- Pilot designed for quick sensing of line pressure and work for pressure reducing, pressure sustaining/Pressure relief.
- Very less down time.
- Marking for correct installation of hydraulic valve.
- Compatible with all hydraulic valves available in market.
- Color Coding Body for identification of Pressure adjusting range.
- UV & chemical resistant for long life.
- PE/PVC tubing & accessories are compatible for high pressure.

## Applications

- Hydraulically operated designed for green house irrigation system as well as turf and field crop irrigation.

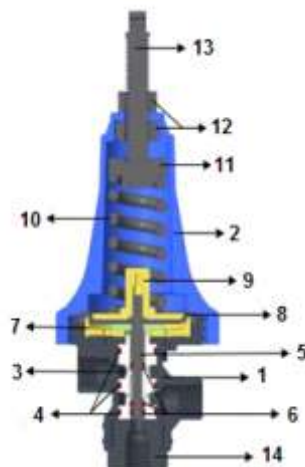


### Pilot Valve Pressure Reducing Ports:

Port	Pressure Reducing
1	Sensing / Downstream
2	Vent
3	Control Chamber
0	Pressure / Upstream

### Pilot Valve Pressure Sustaining / Pressure Relief Ports:

Port	Pressure Sustaining
1 & 2	Sensing / Upstream
3	Control Chamber
0	Vent



## Technical Specifications

- Function: Universal (Pressure Reducing, Sustaining or Relief)
- Operating System: 3 -way
- Suitable for valve sizes : 20mm to 150mm ( 3/4" to 6")
- **Maximum Operating Pressure**  
Plastic Pilot: 10 bar
- **Ports connection**  
3 Way Plastic Pilot Port: Female threaded 1/8" -28 BSP or 1/8" -27NPT
- **Pressure Adjustment Range**

### • Plastic Pilot

Identification of Pilot	Adjustment
Blue Body	0.5-2.5 kg/cm <sup>2</sup> ( 7 to 36Psi)
Red Body	0.5-5.5 kg/cm <sup>2</sup> (7 to 80Psi)

## Material Specification

PART NO	PART NAME	MATERIAL	Qty
1	Pilot Base	Reinforced PA	1
2	Pilot Base Cap	Reinforced PA	1
3	Stem Cylinder	Teflon	1
4	Stem Cylinder O-ring	NBR	3
5	Stem	Stainless Steel	1
6	Stem O-ring	NBR	3
7	Diaphragm Seat	Acetal	1
8	Diaphragm	NBR	1
9	Actuator	Acetal	1
10	Spring	Alloy Special Steel	1
11	Spring Button	Stainless Steel	1
12	Nut	Stainless Steel	2
13	Adjusting Screw	Stainless Steel	1
14	End Cap	PA	1
15	Base Plate	PA	1

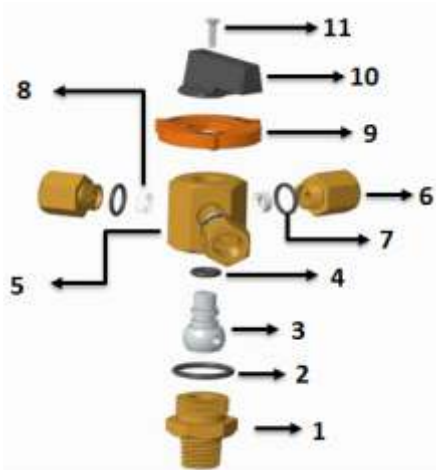
# 3 Way Valve

Brass



## Features & Specifications

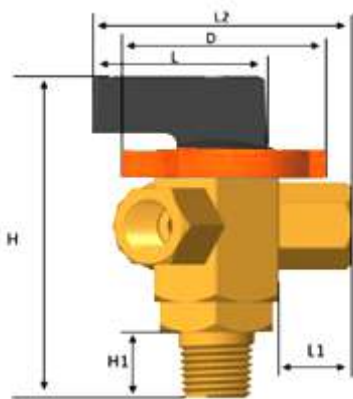
- Designed for three hydraulic flow control positions.
- Common Port at base of the valve body.
- Base Port Thread: Male threaded
  - (i)  $\frac{1}{4}$ " - 19 BSPT or  $\frac{1}{4}$ " - 18 NPT
  - (ii).  $\frac{1}{8}$ " - 28 BSPT or  $\frac{1}{8}$ " - 27 NPT
- Three Ports Thread: Female threaded
  - (i)  $\frac{1}{8}$ " - 28 BSPT or  $\frac{1}{8}$ " - 27 NPT
  - (ii).  $\frac{1}{4}$ " - 19 BSPT or  $\frac{1}{4}$ " - 18 NPT
- Passage Size: 3.2 mm ( $\frac{1}{8}$ " ) or 5.6 mm ( $\frac{1}{4}$ ."s")
- Max. Pressure: 16 Bar/ 230Psi
- One moving part only.
- Three hydraulic control positions: Open, Close & Automatic.
- All valves are sealed when handle position in between port position.
- High quality Teflon seals and Nickel plated brass ball resistant to all kind of irrigation water.
- Plastic parts are Chemical/Corrosion resistant, Color UV stablized.



## Material Specification

PART NO.	PART NAME	MATERIAL	QTY.
1	Base	Brass	1
2	Base O-ring	EPDM	1
3	Ball	Nickel Plated Brass	1
4	Ball O-ring	EPDM	1
5	Body	Brass	1
6	Nozzle	Brass	3
7	Nozzle O-Ring	EPDM	3
8	Seal	Teflon (PTFE)	3
9	Position Indicator	ABS	1
10	Handle	ABS	1
11	Screw	Stainless Steel	1
12*	Seal O-ring	EPDM	3

\*Available in  $\frac{1}{4}$ "x $\frac{1}{4}$ "- 3F Brass Valve



## Dimensions (mm)

Size	D	L	L1	L2	H	H1
$\frac{1}{4}$ " M x $\frac{1}{8}$ " 3F	37	30	13	40.5	59.5	12
$\frac{1}{8}$ " M x $\frac{1}{8}$ " 3F	37	30	13	40.5	59.5	12
$\frac{1}{4}$ " M x $\frac{1}{4}$ " 3F	42.2	49.5	14	68	68.2	12

# 3 Way Valve

Plastic



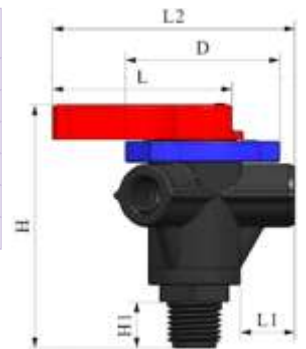
## Features & Specifications

- Designed for three hydraulic flow control positions.
- Common Port at base of the valve body.
- Base Port Thread: Male threaded 1/4" BSP / NPT, 1/8" BSP / NPT
- Three Ports Thread: Female threaded 1/8" BSP/ NPT
- Passage Size: 3.5mm
- Max. Pressure: 10 Bar/ 145Psi
- One moving part only.
- Three hydraulic control positions: Open, Close & Automatic.
- All valves are sealed when handle position in between port position.
- User friendly design allows smooth operation of handle with position indicator.
- All Plastic parts are Chemical/Corrosion resistant, Color UV stabilized.



Material Specification				
PART NO.	PART NAME	MATERIAL	QTY.	
1	Base	PPGF	1	
2	Base O-ring	EPDM	1	
3	Stem O-ring	EPDM	2	
4	Stem Seal	Teflon (PTFE)	3	
5	Stem	PPGF	1	
6	Body	PPGF	1	
7	Body Cover	ABS	1	
8	Handle	ABS	1	
9	Screw	Stainless Steel	1	

Dimensions (mm)	
D	36.8
L	43
L1	12.8
L2	58
H	59
H1	11



# PVC Check Valve

1"



## Applications

- For use after pumps and boosters, lateral pivots, filtration systems, swimming and as a foot check valve for pumping from ponds.
- Recommended in micro/drip irrigation systems as a safety valve to prevent the water hammer and to maintain water column in delivery pipe.

## Features

- High performance and Cost Effective design.
- Delivers High Volume of water quickly with unrestricted full flow.
- Spring Loaded Seal for smooth operation.
- PVC Material gives excellent corrosion resistant and Strength
- Prevents leakage from Ball seal at lower pressure.
- Spring Valve and Seal for smooth & quick operation.
- Light weight
- can be used in domestic pipelines, as a secondary check valves in venturi injector & driplines etc.
- Housing is completely closed to avoid parts missing during maintenance.

## Technical Specifications

- Type of check valve: Seal type check valve
- Connection: 1" F x M BSP
- Max. Operating Pressure: 6.0 kg/cm<sup>2</sup>
- Min. Cracking pressure: Valve begins to open at 2 to 3Psi
- Horizontal and vertical installation

Material Specification				
PART NO	PART NAME	ERP CODE	MATERIAL	Qty
1	Body (Inlet Side)	12770001	PVC	1
2	Body (Outlet Side)	12770002	PVC	1
3	Valve	12450020	PPGF	1
4	Seal	50020066	EPDM	1
5	Spring	50040014	SS	1



E-mail: [contactus@automatworld.com](mailto:contactus@automatworld.com)  
Website: [www.automatworld.com](http://www.automatworld.com)

*Creating a Green World*

# Brass Needle Valve



## Applications

- Needle valves are used to control flow in delicate gauges, which might be damaged by sudden surges of fluid under pressure.
- They are also used in situations where the flow must be gradually halted, and where fine adjustments of flow are necessary or where a small flow rate is desired.
- Needle valves can also be used as on/off valves or for throttling service.

## Technical Specifications & Features

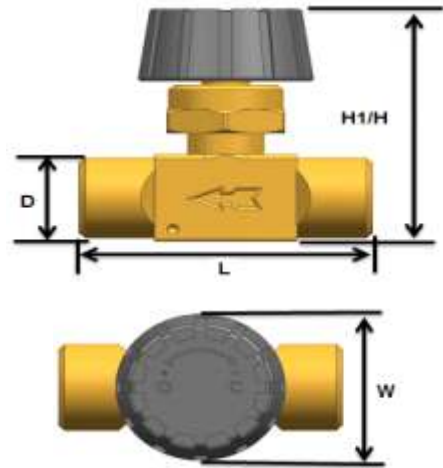
- ¼" BSP/ NPT Female x Female threaded connection
- Max. Working Pressure: 10 Bar/ 145Psi
- Orifice Size 5.0 mm.
- One moving part only.
- Metal to Metal seats for desired flow maintained with little to no variance.
- User friendly design allows smooth operation of knob.
- All Plastic parts are Chemical/Corrosion resistant, Color UV stabilized.

### Material Specification

PART NO	PART NAME	MATERIAL	Qty
1	Valve Body	Forged Brass	1
2	Valve Knob	Nylon	1
3	Valve Big O-ring	NBR	1
4	Spindle	Brass	1
5	Body Nut	Plated Brass	1

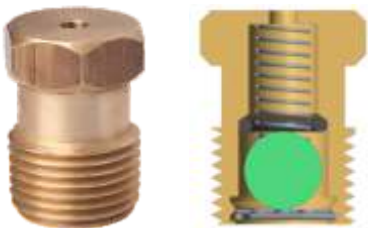
### Dimensions (mm)

Size	L	D	W	H1	H
¼"	47.5	17	28.5	49	52



# Brass Drain Valve

DV-75



## Technical Specifications

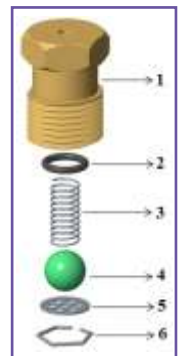
- ½" BSP/NPT male threaded connection
- Switch Point: Valve automatically opens when pressure drop fall below 0.2 bar
- Dripping Range: 0.2 - 0.8 bar
- Hermetically Sealing Range: 0.8 - 1.2 bar
- Hermetically Sealing Point: 1.2bar
- Operating Pressure Range: 0 - 6 bar
- Operating Temperature Environment: -5 - 60°C
- Operating Temperature Media (Water): -5 - 40°C

## Applications

- The Brass Drain Valve helps prevent damage to your irrigation system due to freezing by automatically draining sprinkler lines when the water is turned off.
- The Drain Valves are installed at the lowest point of each sprinkler zone for effective performance.

### Material of Construction

PART NO	COMPONENTS	MATERIAL	Qty
1	Body	Brass	1
2	O-ring	NBR	1
3	Spring	Stainless steel	1
4	Ball	Polypropylene	1
5	Baffle Plate	Stainless steel	1
6	Clip	Stainless steel	1





# T-Bolt Hose Clamp/ Layflat Hose Clamp

2", 3", 4", 6", 8", 10" & 12"



## Features

- Solid Stainless steel band.
- Clamp have rolled edge and smooth undersid to prevent hose damage.
- The high strength bolt, designed for this clamp together with captive nut and spacer system.
- For Heavy duty industrial fittings, all parts used of stainless steel grade SS-316.
- The clamp provides the 360degree uniform sealing.
- Bolt & Screw head ensures super strong fit when tightening.
- One bolt which pulls the two halves of the clamp together, creating a strong reliable hose clamp.
- All parts are Stainless steel with an extra strong construction to deliver high strength.
- Ideal for heavy duty applications where large tightening forces are required.
- This is the clamp of choice for professionals in industrial, automotive and agricultural sector where an reliable heavy duty clamp is required.

## Available In

Size	Model No
2"	AQ -352
3"	AQ -354
4"	AQ -355
6"	AQ -356
8"	AQ -357
10"	AQ -358
12"	AQ -359

## Applications

- Heavy duty full stainless steel T-bolt clamps provide uniform sealing pressure for a positive, reliable seal.
- Specifically designed for use in high vibration and large diameter applications.

## Technical Specifications

Diameter (first stage)	2"	3"	4"	6"	8"	10"	12"
Material	SS-304/SS-316	SS-304/SS-316	SS-304/SS-316	SS-304/SS-316	SS-304/SS-316	SS-304/SS-316	SS-304/SS-316
Circumference (mm)	52-58	74-80	98-104	150-168	199-211	242-262	303-323
Width (mm)	22	24	24	26	26	26	26
Wall thickness (mm)	0.8	0.8	0.8	1.0	1.0	1.0	1.0
Screw Length (mm)	70	70	70	120	120	120	120
Head of Screw	hexagonal	hexagonal	hexagonal	hexagonal	hexagonal	hexagonal	hexagonal

# Pressure Gauge



## Features & Specifications

- Connection: 1/4" Male Threaded BSP/NPT
- General Purpose Application
- Accuracy Class  $\pm 2.0\%$
- Compliance to EN 837 - 1 & IS 3624
- Available with double pressure measurement scale
- Dial Color & Customer Logo can be change as per requirement of customer.
- Warrantly: 12 Months

Model No.	AQ-305	AQ-310	AQ-320
Standard Version	50mm	63mm	63mm
Glycerine Filled Version	Not Filled	Not Filled	Filled
Accuracy	$\pm 2\%$ of F.S. (For NS 50mm)	$\pm 2\%$ of F.S. (For NS 63mm)	$\pm 2\%$ of F.S. (For NS 63mm)
Ambient Temperature	-20°C to +65°C	-20°C to +65°C	-20°C to +65°C
Process Temperature	Max. +65°C	Max. +65°C	Max. +65°C
Dampening Liquids	N.A.	N.A.	Glycerine 99.7%
Operating Pressure Range	75% of Scale Value	75% of Scale Value	75% of Scale Value
Over Pressure Limit			
< 100 Bar	25% of Max. Scale Valve	25% of Max. Scale Valve	125% of Max. Scale Valve
> 100 to < 600 Bar	N.A.	15% of Max. Scale Valve	115% of Max. Scale Valve
> 600 to < 600 Bar	N.A.	10% of Max. Scale Valve	110% of Max. Scale Valve
Case & Bezel	Engineering Plastic (Push Fit Type)	MS Coated (Push Fit Type)	SS-304 (Push Fit Type)
Socket	Copper Alloy	Copper Alloy	Copper Alloy
Bourdon	Copper Alloy	Copper Alloy	Copper Alloy
Movement	Copper Alloy	Copper Alloy	Copper Alloy
Joints	Alloy Brazing/ Soldering	Alloy Brazing/ Soldering	Alloy Brazing/ Soldering
Protection	N.A.	N.A.	N.A.
Dial	Plastic, Black Graduation on White Background	Aluminium, Black Graduation on White Background	Aluminium, Black Graduation on White Background
Pointer	Black Coloured, Fixed	Black Coloured, Fixed	Black Coloured, Fixed
Window	Acrylic Plastic	Steel Glass	Flexi Glass
Standard Pressure Range	0 - 7 kg/cm <sup>2</sup>	0 - 7 kg/cm <sup>2</sup>	0 - 7 kg/cm <sup>2</sup>
Available Pressure Range	0 - 4, 0 - 6, 0 - 10, 0 - 16 Bar, PSI, kg/cm <sup>2</sup>	0 - 4, 0 - 6, 0 - 10, 0 - 16 Bar, PSI, kg/cm <sup>2</sup>	0 - 4, 0 - 6, 0 - 10, 0 - 16 Bar, PSI, kg/cm <sup>2</sup>
Double measurement Scale	Bar, PSI & kg/cm <sup>2</sup> (Any two as per requirement)		

# Pitot Tube



## Applications

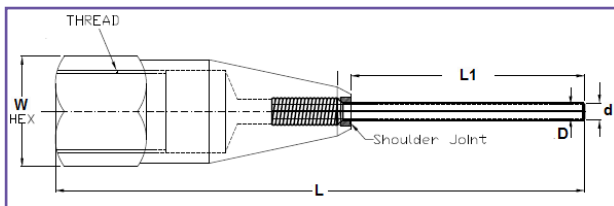
- Solid brass pitot tube is ideal with pressure gauge to measure water pressure at discharge points to achieve a highly uniform irrigation system.

## Functions

- Utilize this small, effective and easy tool to measure the velocity of moving water.
- Attach a pitot tube to a pressure gauge.
- Hold the tip of the pitot tube into the sprinkler's stream. Hold it at a distance equal to half the diameter of the nozzle.
- Avoid inserting the tip of the pitot tube into the bore of the nozzle, as this will skew your measurements.
- A word of warning: Using the pitot tube can get wet and messy. Have a towel handy in case you get sprayed.

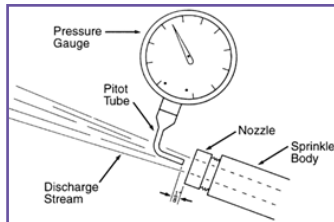
### Dimensions (in)

	¼" S	¼" B
W	15.87	15.87
L1	34	24
L	77	67
d	2	2
D	3	3



## Technical Specifications

- Available Sizes: ¼" Female BSP/NPT Threaded
- Two Models Available: With Straight tube (S) / Bend tube (B)
- Max. Operating Pressure: 10 Bar/ 145 Psi
- Material: Brass
- Excellent for measuring pipeline pressures.
- Smooth flow with minimal pressure drop.

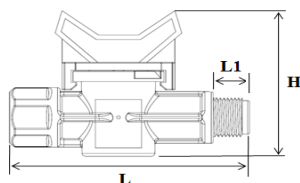


# Pressure Gauge Valve



### Dimensions (mm)

Size	L	L1	H
8mm	66.2	10	48



## Technical Specifications & Features

- ¼" BSP/ NPT male x Female threaded connection
- Max. Working Pressure: 6 Bar/ 85Psi
- One moving part only.
- Valve best suited to install underneath at each pressure gauge.
- Vibration of system do not transfer to pressure gauge, as a result needle does not vibrate.
- Whenever required to see pressure, just open the valve and check line pressure.
- **In pressurized line, there is a feature to release pressure during valve closing and needle will smoothly Come back to zero position.**
- User friendly design allows smooth operation of knob.
- All Plastic parts are Chemical/Corrosion resistant, Color UV stabilized.

### Material Specification

PART NO	PART NAME	MATERIAL	Qty
1	Valve Body	PPGF	1
2	Valve Knob	PPGF	1
3	Valve Big O-ring	EPDM/NBR	1
4	Valve Small O-ring	EPDM/NBR	2

# Swing Joint

½", ¾" & 1"



## Technical Specifications

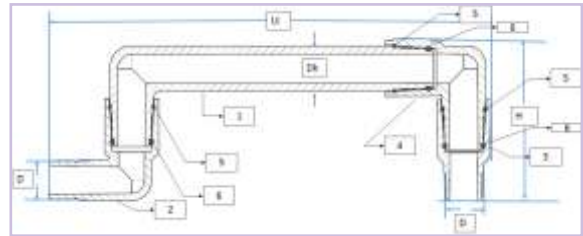
- **End connections** : ½", ¾" & 1" Male Threaded
- **Max. Operating Pressure:** ½" & ¾" Swing Joint: 6 Bar 1" Swing Joint: 20 BAR
- **Material:** ½" & ¾" Swing Joint: Polypropylene (PP) 1" Swing Joint: PVC
- Can be easily move in desired direction
- User friendly design allows smooth operation.
- Double O-rings to prevent leakages.
- Chemical/Corrosion resistant, Color UV stablized.
- Industrial , chemical, turf & agriculture irrigation system, pool and spa application.

### Material Specification (For ½" & ¾")

PART NO	PART NAME	MATERIAL	Qty
1	Elbow	HDPE	2
2	Pipe	HDPE	1

### Specification of Material (1" Swing Joint)

PART NO	PART NAME	MATERIAL	Qty
1	Body	UPVC	1
2	Without Rib Elbow	UPVC	1
3	Adapter	UPVC	1
4	Ribbed Elbow	UPVC	1
5	1" Swing Joint Main O-Ring	NBR	3
6	2" VI Regulating Valve O-Ring	NBR	3



### Dimensions (mm)

Nom Size	BSP Thd./in	NPT Thd./in	dk mm	Lt mm	H mm
15mm (½")	11	11.5	17	400	55.0
20mm (¾")	11	11.5	17	400	57.5
25mm (1")	11	11.5	36.7	372	132.5

# Brass Float Valve



## Features

- Longer service life
- Corrosion resistance
- Requires low maintenance
- Used for high and low pressure systems

## Applications

- Float Valves designed to control the level of fluid specially used in dairy industry to fill tanks and maintain overflow and backflow process.

## Technical Specifications & Features

- ¼" BSP/NPT male threaded connection
- All parts are made of Brass for durability
- All parts are compatible with most brands commonly used in Dairy Industry.
- Piston moment is balancing and smooth for quick response.
- Fine teeth for easy adjustment of float level.
- Leak free and flawless performance.

# Full Flow Drip Compression Fittings



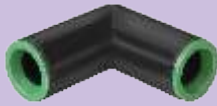
Compression Coupler



Compression Tee



Compression x MPT Adaptor



Compression Elbow

## Features

- Color Coded gripper for easy identification.
- Foster and easier to install, simply push drip tubing into fittings for tight connection and get unobstructed flow.
- Very tight fit with no tools, gluing or clamps required .
- Superb gripping of PE tubing, no slipping at high pressure and no leakage at low Pressure.
- Ultra sonic welded grippers for no leakage and longer life.
- Impact UV and Chemical Resistant .

Product	Model No.	Size
Coupler	AQ-416CC	0.62" X 0.62"
Tee	AQ-416CT	0.62"X 0.62"X 0.62"
Elbow	AQ-416CE	0.62" x 0.62"
Adopter	AQ-416CMPT	0.62"X ½" MPT

Model No.	Size
AQ-418CC	0.7" x 0.7"
AQ-418CT	0.7" x 0.7"0.7"
AQ-418CE	0.7" x 0.7"
AQ-418CMPT	0.7" x ½" MPT

## Technical Specifications

- Made of ABS.
- Pressure Rating - PN6.
- Sizes available: 0.62" or 16mm and 0.70" or 18mm OD drip tubing.

# Lateral Valves



## Technical Specifications

- Two part design
- Material : Acetal (POM)/PP
- Pressure Rating: 4 bar
- UV Resistant
- Smooth Knob movement.
- Barb designed for easy lateral pipe gripping without leakage at pressure.
- All combination of Lateral valves are as below:

### Barb x Barb

12mm x 12mm  
12mm x 16mm  
12mm x 20mm

### ½" Male Thread x Barb

½" Male Thread x 12mm  
½" Male Thread x 16mm  
½" Male Thread x 20mm

### ¾" Male Thread x Barb

¾" Male Thread x 12mm  
¾" Male Thread x 16mm  
¾" Male Thread x 20mm

### Barb x Barb

16mm x 16mm  
16mm x 20mm  
20mm x 20mm

### ¾" Female Thread x Barb

¾" Female Thread x 12mm  
¾" Female Thread x 16mm  
¾" Female Thread x 20mm

### Male Thread x Male Thread


½" Male Thread x ½" Male Thread  
¾" Male Thread x ¾" Male Thread





E-mail: [contactus@automatworld.com](mailto:contactus@automatworld.com)  
Website: [www.automatworld.com](http://www.automatworld.com)


*Creating a Green World*


# Weight Chart


PVC SINGLE UNION BALL VALVE							
Product	DESCRIPTION	AUTOMAT ERP CODES			PCS/BOX	Box Dimension (mm)	Gross Weight (Kg)
		FEMALE X FEMALE	FEMALE X MALE	PLAIN X PLAIN (ISO STANDARD)			
	AQ-61, ½" BALL VALVE	19071044			150	430X330X390	21.82
	AQ-62, ¾" BALL VALVE	19070355	19070352	19070597	150	430X330X390	21.82
	AQ-63, 1" BALL VALVE	19070681	19070360	19070598	75	430X330X390	21.07
	AQ-64, 1¼" BALL VALVE	19070714	19070972	19070715	50	430X330X390	17.46
	AQ-65, 1½" BALL VALVE	19070364	19070563	19070306	16	430X330X390	10.62
	AQ-66, 2" BALL VALVE	19070646	19070389	19070659	8	430X330X390	8.7
	AQ-67, 2½" BALL VALVE	19070396	19070398	19070679	8	430X330X390	11.86
	AQ-68, 3" BALL VALVE	19070662	19070407	19070661	4	430X330X390	13.12
	AQ-69, 4" BALL VALVE	19070818	19070973	19070848	2	430X330X390	10.2

PVC DOUBLE UNION BALL VALVE							
Product	DESCRIPTION	AUTOMAT ERP CODES		PCS/BOX	Box Dimension (mm)	Gross Weight (Kg)	
		FEMALE X FEMALE	PLAIN X PLAIN (ISO STANDARD)				
	AQ-63, 1" BALL VALVE	19070701	19070761	75	430X330X390	16.57	
	AQ-65, 1½" BALL VALVE	19070663	19070371	16	430X330X390	13.3	
	AQ-66, 2" BALL VALVE	19070664	19070377	8	430X330X390	10.62	
	AQ-67, 2½" BALL VALVE	19070665	19070394	6	430X330X390	11.36	
	AQ-68, 3" BALL VALVE	19070666	19070405	4	430X330X390	16.26	

PVC BALL VALVE FLANGED							
Product	DESCRIPTION	AUTOMAT ERP CODES		PCS/BOX	Box Dimension (mm)	Gross Weight (Kg)	
	AQ-66, 2" BALL VALVE	19071060		10	430X330X390	21.88	
	AQ-67, 2½" BALL VALVE	19070402		4	430X330X390	11.2	
	AQ-68, 3" BALL VALVE	19070413		4	430X330X390	21.24	


PLASTIC WAFER TYPE BUTTERFLY VALVE (LEVER OPERATED)							
Product	DESCRIPTION	AUTOMAT ERP CODES		PCS/BOX	Box Dimension (mm)	Gross Weight (Kg)	
	AQ-82	19071016		2	395X285X120	3.6062	
	AQ-83	19071015		2	395X285X120	3.937	
	AQ-84	19070830		2	400X375X135	3.83	

HYBRID WAFER TYPE BUTTERFLY VALVE (LEVER OPERATED)							
Product	DESCRIPTION	AUTOMAT ERP CODES		PCS/BOX	Box Dimension (mm)	Gross Weight (Kg)	
	AQ-81	19070825		2	395X285X120	3.1862	
	AQ-82	19070799		2	395X285X120	3.6062	
	AQ-83	19070601		2	395X285X120	3.937	


PLASTIC ANGLE SEAT VALVE							
Product	DESCRIPTION	AUTOMAT ERP CODES		PCS/BOX	Box Dimension (mm)	Gross Weight (Kg)	
	2" (AQ-194)	19140001		2	400X360X145	2.76	

# Weight Chart


## SPRING LOADED BALL TYPE PLASTIC CHECK VALVE(FLANGED END)

Product	DESCRIPTION	AUTOMAT ERP CODES	PCS/BOX	Box Dimension (mm)	Gross Weight (Kg)
	2" (AQ-96 SL)	19110004	8	620X315X180	9.13
	2½" (AQ-97 SL)	19110005	8	700X355X240	11.99
	3" (AQ-98 SL)	19110006	8	755X382X247	14.02


## WAFER SWING CHECK VALVE

Product	DESCRIPTION	AUTOMAT ERP CODES	PCS/BOX	Box Dimension (mm)	Gross Weight (Kg)
	3" (AQ-298)	19110015	40	300X300X315	17.12
	4" (AQ-299)	19110016	20	340X340X180	12.32


## CAST IRON BALL CHECK VALVE

Product	DESCRIPTION	AUTOMAT ERP CODES	PCS/BOX	Box Dimension (mm)	Gross Weight (Kg)
	2½"	25120541	1		
	3"	25120198	1		17
	4"	25120199	1		25
	5"	25120542	1		
	6"	25120394	1		30
	8"	25120395	1		35


## CAST IRON FOOT CHECK VALVE

Product	DESCRIPTION	AUTOMAT ERP CODES	PCS/BOX	Box Dimension (mm)	Gross Weight (Kg)
	2½"	25120543	1		5.8
	3"	25120201	1		7.6
	4"	25120296	1		15.1

## BRONZE HYDRAULIC CONTROL VALVE


Product	DESCRIPTION	AUTOMAT ERP CODES	PCS/BOX	Box Dimension (mm)	Gross Weight (Kg)
	1"	25120544	4	300X275X150	7.13
	1½"	25120297	4	355X310X205	11.26
	2"	25120298	4	380X325X220	16.26

## PLASTIC QUICK COUPLING VALVE & KEY


Product	DESCRIPTION	AUTOMAT ERP CODES	PCS/BOX	Box Dimension (mm)	Gross Weight (Kg)
	AQ-70P	19080023	70	445X345X285	13.13
	AQ-70PK	19080042	100	445X345X285	7.2
	AQ-70PM	19080021	70	445X345X285	11.77
	AQ-70PMK	19080030	100	445X345X285	8
	AQ-71P	19080032	50	445X345X285	12.87
	AQ-71PK	19080016	100	445X345X285	10.2
	AQ-71PM	19080028	70	445X345X285	12.15
	AQ-71PMK	19080029	100	445X345X285	7.95
	AQ-70SEP	19080012	100	380X290X240	3.5

# Weight Chart


## BRASS/BRONZE QUICK COUPLING VALVE & KEY

Product	DESCRIPTION	AUTOMAT ERP CODES	PCS/BOX	Box Dimension (mm)	Gross Weight (Kg)
	AQ-70B	25120030	40	420X280X140	16.86
	AQ-70BK	25120031	40	420X280X140	11.7
	AQ-71B	25120018	25	420X280X140	19.5
	AQ-71BK	25120011	25	420X280X140	12.925
	AQ-72B	25120074	10	420X280X140	13.3
	AQ-72BK	25120075	10	420X280X140	12.08
	AQ-70SE	25120026	40	420X280X140	11.54
	AQ-71SE	25120012	25	420X280X140	10.375
	AQ-72SE	25120076	10	420X280X140	9
	AQ-70BR	25120185	30	420X280X140	15.89
	AQ-70BRK	25120136	30	420X280X140	10.64
	AQ-71BR	25120079	15	420X280X140	15.23
	AQ-71BRK	25120072	15	420X280X140	15.605
	AQ-70BL	25120545	40	420X280X140	17.5
	AQ-70BRL	25120135	30	420X280X140	13.95
	AQ-71BL	25120546	25	420X280X140	19.625
	AQ-71BRL	25120547	15	420X280X140	15.65
	AQ-71BT	25120081	25	420X280X140	20.9
	AQ-71BKT	25120073	25	420X280X140	11.675
AQ-70SK	25120310	200	420X280X140	14.5	

## VACUUM BREAKER

Product	DESCRIPTION	AUTOMAT ERP CODES		PCS/BOX	Box Dimension (mm)	Gross Weight (Kg)
		WITHOUT SPRING	WITH SPRING			
	½" (AQ-86VB)	25000003	25000018	500	460X360X175	5.5
	¾" (AQ-87VB)	25000004	25000019	500	430X345X275	8.6
	1" (AQ-88VB)	25000007	25000020	500	430X345X276	11.6

## PLASTIC AIR RELEASE/VACUUM RELIEF VALVE

Product	DESCRIPTION	AUTOMAT ERP CODES	PCS/BOX	Box Dimension (mm)	Gross Weight (Kg)
	AQ-87PM	19050134	100	570X300X310	12.7
	AQ-87P	19050002	25	445X345X290	2.6
	AQ-88P	19050078	25	445X345X290	2.6
	AQ-88PM	19050121	100	570X300X310	12.78
	AQ-88CPM	19050120	100	570X300X310	14
	AQ-89P	19050117	20	445X345X285	4.14
	AQ-90P	19050077	12	445X345X285	10.4
	AQ-90CP	19050075	12	445X345X285	11.69
	AQ-91P	19050042	12	445X345X285	12.11


## PRESSURE REDUCING/PRESSURE SUSTAINING BRASS PILOT

Product	DESCRIPTION	AUTOMAT ERP CODES	PCS/BOX	Box Dimension (mm)	Gross Weight (Kg)
	0.7 TO 6.5 kg/cm <sup>2</sup>	25120552	10	180x85x62	9.6




# Weight Chart


## ALUMINUM AIR RELEASE/VACUUM RELIEF VALVE

Product	DESCRIPTION	AUTOMAT ERP CODES	PCS/BOX	Box Dimension (mm)	Gross Weight (Kg)
	AQ-88	25120014	25	410x310x290	7.05
	AQ-89	25120015	25	470x470x160	14
	AQ-90	25120010	25	450x450x180	19.2
	AQ-90C	25120293	4	320x290x290	12.02
	AQ-91	25120016	10	610x260x230	15.42
	AQ-91C	25120306	4	381x381x331	19.88
	AQ92	25120017	4	300x300x300	13
	AQ-92C	25120548	4	381X394X312	26


## ALUMINUM PRESSURE RELIEF VALVE

Product	DESCRIPTION	AUTOMAT ERP CODES	PCS/BOX	Box Dimension (mm)	Gross Weight (Kg)
	AQ-102	25120096	4	430x290x280	20.24
	AQ-102CLM/CLF	25120141	4	265x200x330	7.92

## PRESSURE REDUCING/PRESSURE SUSTAINING PLASTIC PILOT

Product	DESCRIPTION	AUTOMAT ERP CODES	PCS/BOX	Box Dimension (mm)	Gross Weight (Kg)
	½" TO 21/2 kg/cm <sup>2</sup> ( BLUE BODY)	25120555			

## THREE WAY BRASS VALVE

Product	DESCRIPTION	AUTOMAT ERP CODES	PCS/BOX	Box Dimension (mm)	Gross Weight (Kg)
	¾" M X 1/8" F	25120343	100	420x280x140	9.7

## THREE WAY PLASTIC VALVE


Product	DESCRIPTION	AUTOMAT ERP CODES	PCS/BOX	Box Dimension (mm)	Gross Weight (Kg)
	¾" X 1/8"	19120001	80	230x230x150	2.38

## PVC CHECK VALVE

Product	DESCRIPTION	AUTOMAT ERP CODES	PCS/BOX	Box Dimension (mm)	Gross Weight (Kg)
	1" F XM	20000018	100	570X300X310	11.5

# Weight Chart


## BRASS NEEDLE VALVE

Product	DESCRIPTION	AUTOMAT ERP CODES	PCS/BOX	Box Dimension (mm)	Gross Weight (Kg)
	¼" F X F	25120558	140	267X191X140	14

## BRASS DRAIN VALVE

Product	DESCRIPTION	AUTOMAT ERP CODES	PCS/BOX	Box Dimension (mm)	Gross Weight (Kg)
	½" MALE(AQ-DV75)	25120087	100	235X130X95	14.25


## PITOT TUBE

Product	DESCRIPTION	AUTOMAT ERP CODES	PCS/BOX	Box Dimension (mm)	Gross Weight (Kg)
	¼" FEMALE STRAIGHT	25120529	50	266x185x135	8


## PRESSURE GAUGE VALVE

Product	DESCRIPTION	AUTOMAT ERP CODES	PCS/BOX	Box Dimension (mm)	Gross Weight (Kg)
	¼" MALE X FEMALE(AQ-320PGC)	19030026	600	455X340X290	10.86

## PRESSURE GAUGE(0-7 kg/cm<sup>2</sup>)


Product	DESCRIPTION	AUTOMAT ERP CODES	PCS/BOX	Box Dimension (mm)	Gross Weight (Kg)
	AQ-305	25120032	50	254x254x407	6.48
	AQ-310	25120033	50	254x254x407	7.63
	AQ-320	25120143	50	254x254x407	11.48

## BOLT HOSE CLAMP/LAYFLAT HOSE CLAMP


Product	DESCRIPTION	AUTOMAT ERP CODES	PCS/BOX	Box Dimension (mm)	Gross Weight (Kg)
	2" (AQ-352)	25120460	100	400x300x350	4.13
	3" (AQ-354)	25120461	100	400x300x350	4.18
	4" (AQ-355)	25120462	20	445x345x285	11.92
	6" (AQ-356)	25120463	60	534X362X280	2.66
	8" (AQ-357)	25120559	6	530x490x150	6.2
	10" (AQ-358)	25120560	15	530x490x150	6.18
	12" (AQ-359)	25120561	10	530x490x150	4.95

# Weight Chart


## PVC SWING JOINT

Product	DESCRIPTION	AUTOMAT ERP CODES	PCS/BOX	Box Dimension (mm)	Gross Weight (Kg)
	½" ASJ	25090002	100	400X300X350	4.13
	¾" BSJ	25090004	100	400X300X350	4.18
	1" CSJ	25009006	20	445X345X285	11.92


## BRASS FLOAT VALVE

Product	DESCRIPTION	AUTOMAT ERP CODES	PCS/BOX	Box Dimension (mm)	Gross Weight (Kg)
	¾"		48	410x260x120	18.39

## FULL FLOW DRIP COMPRESSION FITTINGS( 16MM)

Product	DESCRIPTION	AUTOMAT ERP CODES	PCS/BOX	Box Dimension (mm)	Gross Weight (Kg)
	AQ-416CC(COUPLER)	15000005	500	430X345X275	8.6
	AQ-416CT(TEE)	15000002	300	430X345X275	7.7
	AQ-416CE(ELBOW)	15000003	400	430X345X275	7.7
	AQ-416CMPT(ADAPTOR)	15000004	500	430X345X275	6.35

## Lateral Valves

Product	DESCRIPTION	AUTOMAT ERP CODES	PCS/BOX	Box Dimension (mm)	Gross Weight (Kg)
	16MM BARB X 16MM BARB	19030021	400	455X350X295	9.5

## Warranty & Disclaimer

Automat products are warranted for one year from date of original sale to be free of defective materials and workmanship when used within the working specifications for which the product was designed and under normal use and service. The manufacturer assumes no responsibility for installation, removal or unauthorized repair. The manufacturer's liability under this warranty is limited solely to replacement or repair of defective parts, and the manufacturer will not be liable for any crop or other consequential damages resulting from any defects in design or breach of warranty.

