

Creating a Green World

AQua

PRODUCT CATALOG | 2017



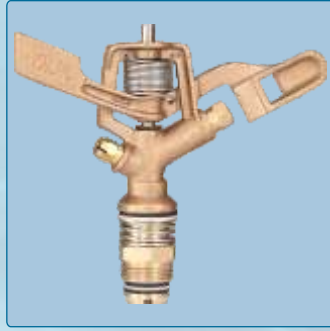
Index

Product Name	Page No.
Sprinklers	04-05
Mini Sprinklers	06
Aquafly	07
Aquatuff	08
Aquatuff Excel	09
Aquajet	10
Aquamic	11
Aquamic Inverted	12
Aquafog	13
Y - Type Screen Filters	14
Mini T Type Screen Filter	15
T - Type Screen Filter	16-17
Double Body Screen Filter	18
Screen Filter Details	19
Y Type Manual Disc Filters	20
Mini T Type Disc Filter	21
T - Type Disc Filters	22-23
Double Body Disc Filter	24
Disc Filter Details	25
Hydrocyclone Filter	26
Pressure Gauge	27
Venturi Injector	28
Fertilizer Tank	29
Poly Valves (Compression X Threaded)	30
Single Union Ball Valves	31
Double Union Ball Valves	32
Plastic Control (Throttle) Valves	33
Hybrid Butterfly Valve	34
4" Butterfly Valve & Ball Valve	35
PVC Wafer Swing Check Valve	36
Cast Iron Ball Check Valve / Cast Iron Foot Check Valve	37
Header (Manifold Assembly)	38
Irrigation Accessories	39
Air Release cum Vacuum Relief Valves	40
Irrigation Accessories (Pressure Relief Valves)	41
Turf Products	42
Irrigation Accessories / Full Flow Drip Compression Fittings	43

New Products Overview



Tri Pod Stand
Refer Page No. 5



20CSB
Refer Page No. 5



Aquafly
Refer Page No. 7



Aquatuff Excel
Refer Page No. 9



Aquajet
Refer Page No. 10



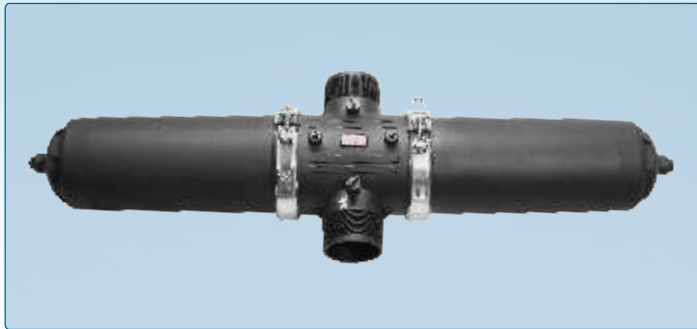
Two Way Swivel
Refer Page No. 11



1" Y Type Screen/Disc Filter
Refer Page No. 14 and 20



Y Type Manual Disc Filters
Refer Page No. 20



Double Body Screen & Disc Filters
Refer Page No. 18 & 24



Mini T Type Screen & Disc Filters
Refer Page No. 15 & 21



Fertilizer Tank
Refer Page No. 29



Poly Valves
Refer Page No. 30



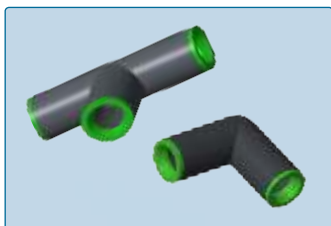
4" Butterfly Valve & Ball Valve
Refer Page No. 35



Wafer Swing Check Valve
Refer Page No. 36



CI Check Valves
Refer Page No. 37



Full Flow Drip
Compression Fittings
Refer Page No. 43

Special Reinforced
Nylon/ PVC Flanges
Refer Page No. 39



Sprinklers

1/2" Sprinklers



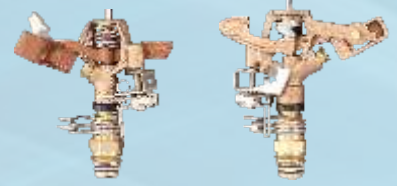
AQ-5LA7 / AQ-5LA15 / AQ-5N25

- Available in 1/2" BSP/NPT Male Thread Connection
- Bronze Body & Arm
- Brass Bearing Sleeve & Nipple
- Stainless Steel Springs and Pivot Pin
- AQ-5LA7 - Low Trajectory Angle 7°
- AQ-5LA15 - Low Trajectory Angle 15°
- AQ-5N25 - Normal Trajectory Angle 25°



AQ-5WLA7 / AQ-5WN23

- Available in 1/2" BSP/NPT Male Thread Connection
- Wedge Drive Sprinkler
- Bronze Body & Arm
- Brass Bearing Sleeve & Nipple
- Stainless Steel Springs and Pivot Pin
- AQ-5WLA7 - Low Trajectory Angle 7°
- AQ-5WN23 - Low Trajectory Angle 23°



AQ-05PC

- Available in 1/2" BSP/NPT Male Thread Connection
- Bronze Body & Zamac pressure die casted arm
- Brass Bearing Sleeve & Nipple
- Stainless Steel Trip Mechanism
- Both Part Circle & Full Circle operations possible
- Part Circle Operation ranging from 20° to 340°
- Trajectory Angle 25°
- **For agricultural use, bronze arm sprinkler also available**



AQ-22

- Available in 1/2" Male Thread Connection
- Color coded nozzles for easy identification of size
- Body, Arm, Bearing & Nozzles made of Delrin for durability
- Specially designed Bayonet nozzles
- Stainless Steel Springs & Pivot Pin
- Trajectory Angle 24°



AQ-22LA / 22LAW

- Available in 1/2" Male Thread Connection
- Color coded nozzles for easy identification of size
- Body, Arm, Bearing & Nozzles made of engineering plastic (Delrin) for durability
- Specially designed Bayonet Nozzles
- Stainless Steel Springs & Pivot Pin
- Trajectory Angle available in 9°, 12° & 14°
- **For low pressure application, wedge drive sprinkler (12°) also available**



AQ-22PC

- Available in 1/2" Male Thread Connection
- Body Arm, Bearing & Nozzles made of engineering plastic (Delrin) for durability
- Specially designed Bayonet nozzles
- Stainless Steel Springs & Pivot Pin
- Both Part/Full Circle operations possible
- Part Circle Operation ranging from 15° to 345°
- Trajectory Angle 25°

3/4" Sprinklers



AQ-20 / AQ-20CS

- Available in 3/4" BSP/NPT Male Thread Connection
- Bronze Body & Arm
- Brass Bearing Sleeve & Nipple
- Stainless Steel Springs & Pivot Pin
- Trajectory Angle 27°
- Available in low Trajectory Angle 10° also (For better coverage in wind conditions)



AQ-20AF

- Available in 3/4" BSP/NPT Male Thread Connection
- Bronze Body & Arm
- Brass Bearing Sleeve & Nipple
- Stainless Steel Springs & Pivot Pin
- Cap made of LLDPE for durability
- Anti frost model
- Trajectory Angle 27°



AQ-20PC

- Available in 3/4" BSP/NPT Male Thread Connection
- Bronze Body & Arm
- Brass Bearing Sleeve & Nipple
- Stainless Steel Springs & Pivot Pin
- Stainless Steel Trip Mechanism
- Both Part Circle & Full Circle operations possible
- Part Circle Operation ranging from 20° to 340°
- Trajectory Angle 25°



AQ-25

- Available in 3/4" BSP/NPT Male Thread Connection
- Also available with Female Thread Connection AQ-25F
- High pressure model
- Bronze Body & Arm
- Brass Bearing Sleeve & Nipple
- Stainless Steel Springs & Pivot Pin
- Trajectory Angle 33°



AQ-46

AQ-46B

- Available in 3/4" BSP/NPT Male/Female Thread Connection
- Body, Arm, Bearing & Nozzles made of engineering plastic (Delrin) for durability
- Non clog stream straightener in range nozzle ensures excellent performance in wind condition
- Also available with Brass Nozzles.
- Stainless Steel Springs & Pivot Pin
- Trajectory Angle 23°



AQ-46PC

- Available in 3/4" BSP/NPT Male Thread Connection
- Body, Arm & Bearing made of engineering plastic (Delrin) for durability
- Nozzles available in Brass / engineering plastic (Delrin)
- Stainless Steel Springs & Pivot Pin
- Non clog stream straightener in Range Nozzle ensures excellent performance in wind condition
- Both Part Circle & Full Circle operations possible
- Part Circle Operation ranging from 30° to 330°
- Trajectory Angle 23°

Sprinklers

Special Sprinklers



New

AQ-5DN

- Available in 1/2" BSP Male Thread Connection.
- Brass Body & Arm.
- Brass Bearing Sleeve & Nipple.
- Stainless Steel Spring & Pivot Pin



New

AQ-20 CSB

- 3/4" NPT male threaded.
- Durable light weight Brass body and arm for low pressure application.
- Heavy duty Brass Nut, Tube & nozzle.
- Recommended Pressure 1.0 - 3.0 kg/cm² or 15 - 45Psi
- Recommended spacing up to 12m for higher distribution uniformity.
- Trajectory Angle: 27°



AQ-40M

- Available in 1/4" BSP/NPT Male Thread Connection
- Pressure Die Cast Aluminium Body & Arm
- Works on low operating pressure also
- Brass Bearing Sleeve & Nipple
- Stainless Steel Springs & Pivot Pin
- Trajectory Angle 23°

1" - 1 1/4" Sprinklers



AQ-30

- Available in 1" BSP/NPT Female Thread Connection
- Bronze Body & Arm
- Brass Bearing Sleeve & Nipple
- Stainless Steel Pivot Pin & Springs
- Trajectory Angle : 27°
- Low angle (18°) model also available.



AQ30P

- Available in 1" BSP/NPT Female Thread Connection
- Body, Arm & Bottom Bearing made of engineering plastic (Delrin) for durability
- Brass Nozzles
- Stainless Steel Spring & Pivot Pin
- Trajectory Angle 25°



AQ-30B

- Available in 1" BSP/NPT Male Thread Connection
- Bronze Body & Arm
- Brass Bearing Sleeve & Nipple
- Stainless Steel Springs & Pivot Pin
- Trajectory Angle 23°



AQ-30BPC

- Available in 1" BSP/NPT Male Thread Connection
- Bronze Body & Arm
- Brass Bearing Sleeve & Nipple
- Stainless Steel Springs & Pivot Pin
- Both Part Circle & Full Circle operations possible
- Part Circle Operation ranging from 20° to 340°
- Trajectory Angle 23°



AQ-40B

- Available in 1/4" BSP/NPT Male Thread Connection
- Low Angle 18° model also available
- Bronze Body and Arm
- Brass Bearing Sleeve and Nipple
- Stainless Steel Springs and Pivot Pin
- Trajectory Angle 23°



AQ-40BPC

- Available in 1/4" BSP/NPT Male Thread Connection
- Low Angle 18° model also available (For Pivot ends)
- Bronze Body and Arm
- Brass Bearing Sleeve and Nipple
- Stainless Steel Springs and Pivot Pin
- Part Circle Operation ranging from 20° to 340°
- Trajectory Angle 23°

Rain Guns & Tri Pod Stand



AQ-40G

- Available in 1/2" BSP/NPT Female Thread Connection
- Both Part Circle & Full Circle adjustments
- Adjustable Jet breaker to provide uniform distribution
- Equipped with 3 interchangeable nozzles of different sizes for various applications
- Trajectory Angle 30°



AQ-42G

- Available in 1/2" BSP/NPT Female Thread Connection
- Both Part Circle & Full Circle adjustments
- Adjustable Jet breaker to provide uniform distribution
- Equipped with 3 interchangeable nozzles of different sizes for various applications
- Trajectory Angle 23°



New

Available for 1 1/4" & 1 1/2" Guns



E-mail: contactus@automatworld.com
Website: www.automatworld.com

Creating a Green World

Mini Sprinklers

AQ-22U



Applications

- Potato, Onion, Garlic, Ginger, Cabbage, Cauliflower, Strawberry, Groundnut, Mustard, Pulses, Tea & Nursery
- Useful for frost control 0°C to 3°C
- Creation of Micro Climatic Conditions



U-Opener



Spanner



8mm Punch & Pusher



Male Connector



Female Connector



Plug

Features

- Uniform water application maintains optimum soil moisture ratio
- Uniform germination & fertilizer application
- No Soil Erosion- soil conservation
- Easy to install & dismantle with visibility of operation
- Being a versatile system , can be used for 2-3 crops each year
- Distance between sprinklers : 8-12 mtr
- Low application rate : 4-5mm/hr
- Low operating pressure, thus energy saving
- Environment friendly, avoids leaching of soil & fertilizers in ground water
- Durable and weather resistance - long life span

Performance Data

Nozzle mm	Pressure kg/cm ²	Radius mtr	Discharge		Precipitation Rate (mm/hr)/ Spacing (m)					
			L/min	m ³ /hr	9 X 9	9 X 10	10 X 10	9 X 12	10 X 12	12 X 12
2.3 x 1.8 Grey Round	2	10.0	7.67	0.460	4.6	4.1	3.7	3.4	3.1	2.6
	2.5	10.2	8.50	0.510	4.6	4.1	3.7	3.5	3.1	2.6
	3	10.4	9.33	0.560	4.4	4	3.6	3.3	3	2.5
	3.5	10.5	10.00	0.600	3.9	3.5	3.1	2.9	2.6	2.2
	4	10.5	10.67	0.640	5.8	5.3	4.7	4.4	3.9	3.3
*2.4x1.8 Yellow Square	2	9.0	8.50	0.510	5.2	4.7	4.2	3.9	3.5	2.9
	2.5	9.1	9.42	0.565	5	4.5	4.1	3.8	3.4	2.8
	3	9.4	10.25	0.615	4.2	3.8	3.4	3.2	2.8	2.4
	3.5	9.5	11.08	0.665	5.3	4.8	4.3	4	3.6	3
	4	9.5	11.83	0.710	4.7	4.2	3.8	3.5	3.2	2.6
2.5x1.8 Purple Round	2	10.2	8.67	0.520	6	5.4	4.8	4.5	4	3.4
	2.5	10.3	9.67	0.580	7.2	6.5	5.9	5.4	4.9	4.1
	3	10.5	10.67	0.640	7.9	7.1	6.4	5.9	5.3	4.4
	3.5	10.7	11.33	0.680	7.7	7	6.3	5.8	5.2	4.4
	4	10.7	12.17	0.730	6.5	5.9	5.3	4.9	4.4	3.7
2.9x1.8 Orange Round	2	10.5	10.08	0.605	6.6	6	5.4	5	4.5	3.7
	2.5	10.5	11.25	0.675	5.4	4.9	4.4	4.1	3.7	3
	3	10.8	12.33	0.740	8.2	7.3	6.6	6.1	5.5	4.6
	3.5	11.0	13.33	0.800	7	6.3	5.7	5.3	4.7	4
	4	11.0	14.17	0.850	9.7	8.7	7.8	7.3	6.5	5.5

* Tested at 100cm height above ground

Color Code Distribution Uniformity: CDU < 85% 85% ≤ CDU ≤ 88% 89% ≤ CDU ≤ 92% CDU > 92%



E-mail: contactus@automatworld.com
Website: www.automatworld.com

Creating a Green World

Butterfly micro sprinkler (AQ-220 series)

Applications

- **High Volume, low pressure plastic** micro sprinkler for overhead irrigation of close spacings vegetable crops (Ginger, Onion, Potatoes etc.) and flowers.
- For irrigation of widely spaced plants for spacing upto 6x6m mounted on an Agri-Stand.
- Ideal for crops requiring more water.

Features & Specifications

- Every component manufactured out of engineering plastic.
- 1/2" male threaded connection.
- Excellent distribution uniformity.
- Bridge rotation do not leave dry patches in the field.
- Range of operating Pressure: 0.5 - 2.5 kg/cm².
- Flow Rate Range: 240 - 550 LPH.
- Recommended Spacing 5X5m & 6x6m.


New



Material

S.No.	Parts Name
1	Body
2	Swivel
3	Swivel Bush
4	Washer
5	Circlip
6	Nozzle

Performance Data

Swivel Color	Nozzle color	Nozzle (mm)	Pressure (Kg/cm ²)	Flow Rate (LPH)	Diameter (m)	Precipitation Rate (mm/hr) / Spacing (m)	
						5 x 5 m	6 x 6 m
 Grey	Purple	2.5mm	1.0	240	10.5	7.9	5.5
			1.5	295	11.5	9.3	6.4
			2.0	345	12.0	12.2	8.5
	Brown	2.8mm	1.0	300	11.0	10.3	7.2
			1.5	370	12.0	13.1	9.1
			2.0	430	12.0	13.5	9.4
	Green	3.1mm	1.0	394	11.0	13.1	9.1
			1.5	476	12.0	17.2	11.9
			2.0	550	12.5	25	17.4

* Tested at 100cm riser height. Color Code Distribution Uniformity : CDU < 85% 85% ≤ CDU ≤ 88% 89% ≤ CDU ≤ 92% CDU > 92%

Micro sprinkler (AQ-205 series)



Connection: 3/8" Male Threaded

Swivel Color	Nozzle Color	Nozzle (mm)	1.5 kg/cm ²		2.0 kg/cm ²		2.5 kg/cm ²	
			Flow lph	Dia. m	Flow lph	Dia. m	Flow lph	Dia. m
Blue	Grey	1.14	62	7.6	71	8.2	80	8.5
	Green	1.4	90	8.4	102	8.7	118	9.0
Green	Orange	1.5	105	8.7	122	9.2	136	9.6
	Black	1.78	140	9.2	162	9.5	180	10.0
	Blue	1.98	174	9.8	202	10.2	225	10.4
	Yellow	2.2	210	10.2	245	10.6	295	11.0
	Red	2.4	245	10.5	290	11.0	350	11.4

* Tested at 1m height above ground

Connection: 1/2" Male Threaded

Swivel Color	Nozzle Color	Nozzle (mm)	1.5 kg/cm ²		2.0 kg/cm ²		2.5 kg/cm ²	
			Flow lph	Dia. m	Flow lph	Dia. m	Flow lph	Dia. m
Green	Blue	1.98	174	10.6	202	11.0	225	11.5
	White	2.8	350	12.0	402	12.5	449	12.8

* Tested at 1m height above ground

Applications

- For overhead irrigation of Orchard, nurseries, Green houses and vegetable crops.
- For irrigation of widely spaced plants upto 6x6m spacing at Agri-Stand
- Ideal for frost protection and overhead cooling

Features & Specifications

- Sturdy Structure and User Friendly
- Push-Fit, 3/8" and 1/2" male threaded connection
- Insect proof Pop-up Swivel
- Range of operating Pressure: 1.5 - 3.0kg/cm²
- Flow Rate Range: 28 - 449 LPH
- Recommended Spacing 4x4m & 5x5m

Connection: Pushfit Type

Swivel Color	Nozzle Color	Nozzle (mm)	1.5 kg/cm ²		2.0 kg/cm ²		2.5 kg/cm ²	
			Flow lph	Dia. m	Flow lph	Dia. m	Flow lph	Dia. m
Black	Violet	0.8	28	5.5	36	6.0	41	6.2
	Brown	0.94	42	6.0	52	6.5	57	6.7
Blue	Grey	1.14	62	7.2	71	8.0	80	8.2
	Green	1.4	90	8.2	102	8.4	118	8.5
Green	Orange	1.5	105	8.5	122	9.0	136	9.4
	Black	1.78	140	9.0	162	9.4	180	9.8
	Blue	1.98	174	9.7	202	10.0	225	10.3
	Yellow	2.2	210	10.0	245	10.5	295	10.7
	Red	2.4	245	10.2	290	10.8	350	11.0

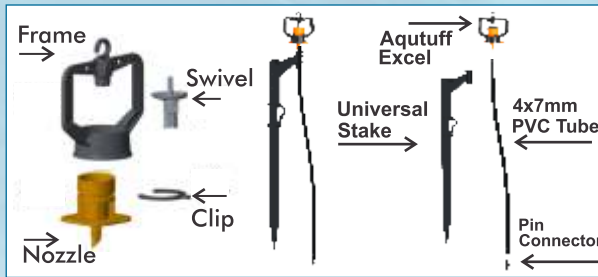
* Tested at 25cm height above ground

Aquatuff Excel

Micro Sprinkler (AQ-206)



New



Applications

- For irrigation of tree plantation of large roots volumes, fruit trees, orchards etc.
- For irrigation of widely spaced plants upto 4x4m spacing with self-tapping option.

Features

- Self tapping connection.
- Excellent distribution uniformity.
- Range of operating Pressure: 1.0 - 2.5 kg/cm²
- Flow Rate Range: 37 - 152 LPH
- Recommended Spacing 3 x 3, 3.5 x 3.5 & 4 x 4m
- Excellent material achieves high wear resistant and trouble free swivel rotation.
- Insect proof design.
- Special designed Circlip to easily open micro sprinkler for cleaning by the end user.
- Excellent gripping of self tapping connection with 4x7mm PVC tube.
- UV and Chemical resistant material.



Performance Data

Nozzle Size	Color Code	Pressure (bar)	Flow Rate (l/h)	Wetted Dia. (m)	Precipitation Rate (mm/hr)/ Spacing (m)					
					03x03	3.5x3.5	4.0x4.0	4.5x4.5	5.0x5.0	5.5x5.5
1.0mm	Brown	1.0	37	5.0	3.6	2.7	2	1.6	1.3	1.1
		1.5	47	6.0	5	3.7	2.8	2.2	1.8	1.5
		2.0	56	7.0	6.2	4.6	3.5	2.8	2.2	1.8
		2.5	63	7.0	3.4	2.5	1.9	1.5	1.2	1
1.2mm	Grey	1.0	52	6.5	5.1	3.7	2.9	2.3	1.8	1.5
		1.5	66	7.5	6.8	5	3.8	3	2.4	2
		2.0	77	8.0	9.9	7.3	5.6	4.4	3.6	3
		2.5	87	7.5	10.4	7.6	5.8	4.6	3.7	3.1
1.4mm	Green	1.0	72	7.0	8.3	6.1	4.6	3.7	3	2.5
		1.5	92	7.0	6.4	4.7	4.7	2.9	2.3	1.9
		2.0	108	8.5	12.3	9.1	6.9	5.5	4.4	3.7
		2.5	120	9.0	12.1	8.9	6.8	5.4	4.4	3.6
1.5mm	Orange	1.0	82	7.0	8.3	6.1	4.7	3.7	3	2.5
		1.5	106	9.0	13.6	10	7.6	6	4.9	4
		2.0	118	9.0	13.3	9.7	7.5	5.9	4.9	3.9
		2.5	134	9.5	18	18	10.1	8	6.5	5.3
1.8mm	Black	1.0	112	6.0	11.8	8.6	6.6	5.2	4.2	3.5
		1.5	132	8.0	16.8	12.4	9.5	7.5	6.1	5
		2.0	152	9.0	21.1	15.5	11.9	9.4	7.6	6.3

* Tested at 100cm height above ground

Color Code Distribution Uniformity: CDU < 85% 85% ≤ CDU ≤ 88% 89% ≤ CDU ≤ 92% CDU > 92%



E-mail: contactus@automatworld.com
Website: www.automatworld.com

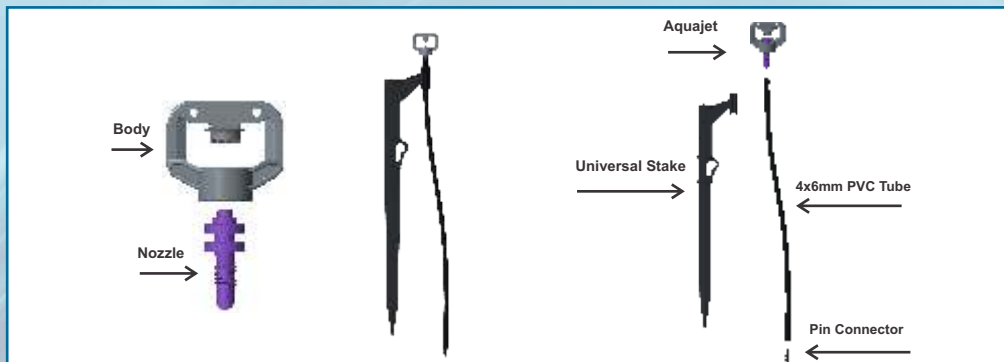
Creating a Green World

Aquajet

Micro Sprinkler (AQ-201)



New



Applications

- Ideal for mature widely spaced fruit trees, orchards, ornamental trees, shrubs and flowerbed.

Features and Specifications

- Quick thread connection.
- 2 parts design.
- 2 Color - Coded nozzles for flow rates from 24- 75 l/h
- Excellent Distribution with wide range of spacing.
- Jet characterized by 9 & 12 long pointed teeth.

9 Jets (9 X 270°)



Performance Data

Nozzle Color	Nozzle (mm)	0.5 kg/cm ²		1.0 kg/cm ²		1.5 kg/cm ²		2.0 kg/cm ²	
		Flow (LPH)	Dia. (m)	Flow (LPH)	Dia. (m)	Flow (LPH)	Dia. (m)	Flow (LPH)	Dia. (m)
Purple	1	24	3.8	34	5.2	42	6.2	50	7.2
Orange	1.2	34	4.4	52	6.4	64	7.2	75	8.4

* Tested at 25cm height above ground.

12 Jets (12 x 360°)

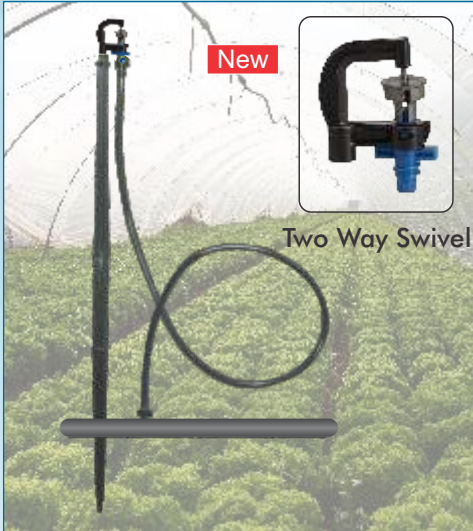


Performance Data

Nozzle Color	Nozzle (mm)	0.5 kg/cm ²		1.0 kg/cm ²		1.5 kg/cm ²		2.0 kg/cm ²	
		Flow (LPH)	Dia. (m)	Flow (LPH)	Dia. (m)	Flow (LPH)	Dia. (m)	Flow (LPH)	Dia. (m)
Purple	1	24	2.8	34	4.0	42	4.8	50	5.6
Orange	1.2	34	3.8	52	5.4	64	6.4	75	7.2

* Tested at 25cm height above ground.

Micro Sprinkler (AQ-210 series)



Two Way Swivel

Features

- Bayonet connection.
- 2 Different swivels.
- 6 Color- coded nozzles for flow rate from 24- 195 LPH
- Excellent distribution uniformity.
- Recommended spacing: 3 X 3, 3.5 X 3.5 & 4 X 4m

Applications

- Green houses | • Horticulture & Agriculture | • Under Tree Cultivation | • Ideal for overhead cooling and frost protection

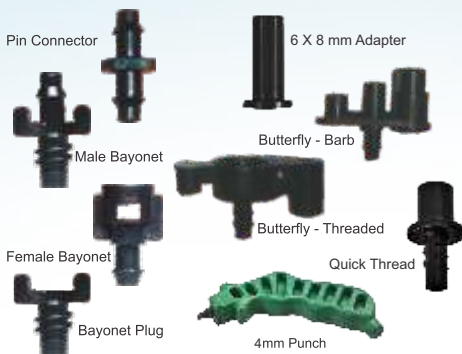
Aquamic - Two Way Swivel

Nozzle Size	Color Code	Pressure (bar)	Flow Rate (l/h)	Wetted Dia. (m)	Precipitation Rate (mm/hr)/ Spacing (m)				
					03x03	3.5x3.5	4.0x4.0	4.5x4.5	5.0x5.0
0.8mm	Black	1	24	5	3	2.2	1.7	1.3	
		2	34	6.5	4.4	3.3	2.5	2	
		3	42	6.5	5.5	4	3.1	2.4	
1.0mm	Purple	1	36	5.0	4.9	3.6	2.8	2.2	1.8
		2	52	6.5	8.5	6.2	4.8	3.8	3.1
		3	62	7.0	10.2	5.8	5.8	4.6	3.7
1.2mm	Orange	1	52	6.5	5.4	4	3	2.4	1.9
		2	76	7.0	8.6	6.3	4.8	3.8	3.1
		3	95	7.5	12.5	9.2	7.1	5.6	4.5
1.4mm	Blue	1	72	6.0	4.8	3.5	2.7	2.1	1.7
		2	102	7.5	11.7	8.6	6.6	5.2	4.2
		3	127	8.0	16.7	12	9.2	7.3	5.9
1.6mm	Yellow	1	90	6.5	6.8	5	3.8	3	2.4
		2	130	7.5	13.6	10	7.6	6	4.9
		3	160	9.0	20.4	15	11.5	9.1	7.3
1.8mm	Green	1	115	8.0	18.1	13.3	10.2	8	6.5
		2	162	8.5	21	15.4	11.8	9.3	7.5
		3	195	9.0	26.1	19.2	11.6	11.6	9.4

* Tested at 25cm height above ground

Color Code Distribution Uniformity: CDU < 85% 85% ≤ CDU ≤ 88% 89% ≤ CDU ≤ 92% CDU > 92%

Accessories



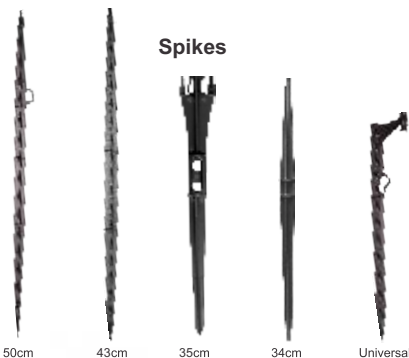
MICRO TUBES :

- 3mm X 5mm PVC Tube
- 4mm X 7mm PVC Tube
- 8mm X 12mm PVC Tube
- 4mm X 6mm PVC & PE Tube
- 5.5mm X 7.5mm PE Tube

New



Spikes



Aquamic - Mist Sprayer

Nozzle Size	Color Code	Pressure (bar)	Flow Rate (l/h)	Wetted Dia. (m)
0.8mm	Black	1	24	1.8
		2	34	2
		3	42	2.2
1.0mm	Purple	1	36	2
		2	52	2.3
		3	62	2.5
1.2mm	Orange	1	52	2.3
		2	76	2.6
		3	95	2.9
1.4mm	Blue	1	72	3
		2	102	3.2
		3	127	3.4
1.6mm	Yellow	1	90	3.4
		2	130	3.7
		3	160	3.8
1.8mm	Green	1	115	3.6
		2	162	4
		3	195	4.2

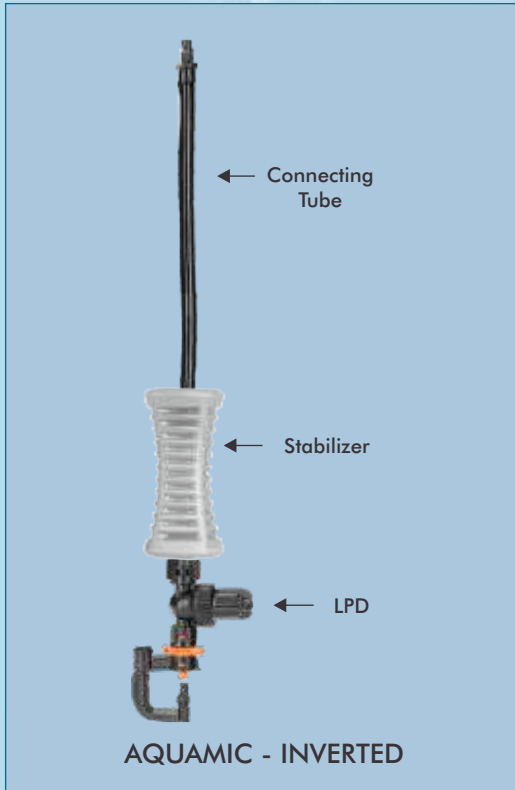
* Tested at 25cm height above ground



Mister

Aquamic Inverted

Micro sprinkler (AQ-210 series)



Features

- Operating Pressure Range : 1.5 to 2.5 kg/cm²
- It can also be used for Poultry Cooling System.
- Fine drops creates uniform cloud.
- Suspender weight keeps the tube straight & eliminate vibration during operation

Mist Sprayer

- Recommended Spacing : 1.0 to 1.5 mtr
- Coverage Diameter : 1.9 to 4.8 mtr
- Discharge Flow Rates : 27 to 185 ltr/hr



Inverted Rotor

- Recommended Spacing : 4X4, 5X5m
- Coverage Diameter : 7.6 to 10.8 mtr
- Discharge Flow Rates : 44 to 300 ltr/hr



LP LPD (Low Pressure Leakage Prevention Device)

Opening Pressure	1.1 Bar
Closing Pressure	0.7 Bar

Performance Data (Mist Sprayer)

Swivel Color	Nozzle color	Nozzle (mm)	1.5 Kg/cm ²		2.0 Kg/cm ²		2.5 Kg/cm ²	
			Flow (lph)	Dia. (m)	Flow (lph)	Dia. (m)	Flow (lph)	Dia. (m)
Black	Black	0.8	27	2.2	34	2.4	41	2.6
	Purple	1	44	2.4	52	2.6	60	2.8
	Orange	1.2	64	3.0	76	3.2	86	3.4
	Blue	1.4	88	3.2	102	3.4	116	3.6
	Yellow	1.6	110	3.8	130	4.2	146	4.4
	Green	1.8	142	4.2	162	4.6	185	4.8

*Tested at 2m height above ground surface.

Performance Data (Inverted Rotor)

Swivel Color	Nozzle color	Nozzle (mm)	1.5 Kg/cm ²		2.0 Kg/cm ²		2.5 Kg/cm ²	
			Flow (lph)	Dia. (m)	Flow (lph)	Dia. (m)	Flow (lph)	Dia. (m)
Grey	Purple	1.0	44	7.6	52	7.8	60	8.3
	Orange	1.2	64	8.3	76	8.5	86	8.8
	Blue	1.4	88	8.9	102	9.3	116	9.5
	Yellow	1.6	110	9.1	130	9.5	146	10.0
	Green	1.8	142	9.5	162	10.0	185	10.4
	White	2.0	166	9.8	198	10.5	222	10.6
	Brown	2.3	221	9.7	260	10.8	300	10.8

*Tested at 25cm height above ground surface.





Features

- Reduces temperature and increases humidity in Greenhouse.
- Interchangeable color coded nozzles.
- Connected with LPD and push fit / bayonet.
- Fine droplet size (50-60 microns @ 4.0 bar)
- A secondary filter (75-100 microns) is required to operate the product.
- High water distribution uniformity and coverage.
- Easy installation and service.

Applications

- Evaporative cooling and humidifying control for Greenhouse and Long tunnels.
- Provides perfect conditions for plant propagation.
- Organic or Conventional fields.

Technical Specifications

Material	Polyacetal
Pattern	360°
Droplet Size	50-60 Microns @ 4Kg/cm ²
Operating Pressure	4 Kg/cm ²
Operating Range	3-5 Kg/cm ² - Blue LPD

Nozzles Flow Rate (LPH)

Nozzle Color	Blue	Green
Single Fogger	5.5	7.5
2 Way Fogger	11	15
4 Way Fogger	22	30

LPD (Leakage Prevention Device)

Model	Opening Pressure	Closing Pressure
HP-LPD (Blue)	2.5 bar	1.7 bar

Accessories



Y Type Screen Filters

3/4", 1", 1 1/2" & 2"

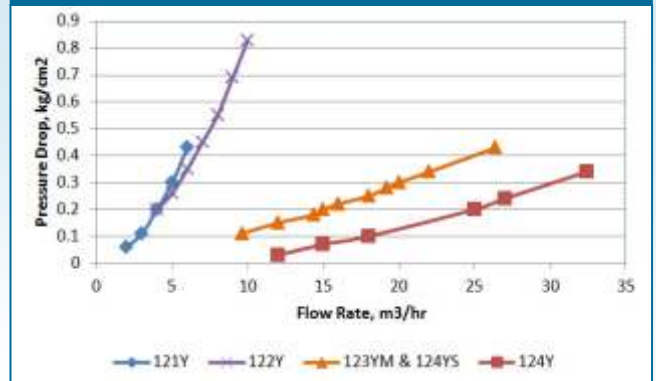
New



Features

- Flow passes through Inside to Outside of Screen cartridge
- Uniform distribution of flow into filter housing optimize filtration process.
- Filter designed for Max. Operating Pressure 6bar (Pn6).
- 1/4" Male threaded 2 pressure ports.
- Stainless Steel (SS 316) double mesh screen for rust prevention.
- Filter body cap equipped with 3/4" female threaded connection for draining
- Screen Cartridge with Double Screen 30 & 120mesh to avoid tearing of mesh.

Performance Graph



Specifications

Model	AQ-121Y	AQ-122Y	AQ-123YM	AQ-124YS	AQ-124Y
Max. Working Pressure	6 kg/cm ²	6 kg/cm ²	6 kg/cm ²	6 kg/cm ²	8 kg/cm ²
Recommended flow	5 m ³ /h (83 lit/m)	7 m ³ /h (116.7 lit/m)	15 m ³ /h (250 lit/m)	20 m ³ /h (333 lit/m)	25 m ³ /h (417 lit/m)
Range of Flow Rate	4-6 m ³ /hr	5-8 m ³ /hr	12 – 16 m ³ /h	18 – 22 m ³ /h	18 – 27 m ³ /h
Screen Cartridge (Standard)	Single Screen 120 mesh		Double Screen 30/120 mesh		
Filtration Surface Area	120 cm ²	120 cm ²	295 cm ²	295 cm ²	492 cm ²
Inlet/Outlet Connection	3/4" BSP/NPT male thread	1" BSP/NPT male thread	1 1/2" BSP/NPT male thread	2" BSP/NPT male thread	2" BSP/NPT male thread
Distance between End Connections	155.5mm	183mm	237mm	237mm	303mm
Filter Height (With End Plug)	252mm	245mm	320mm	325mm	410mm
Filter Width	86.5mm	87mm	128mm	128mm	171mm
Cartridge Diameter	48mm	48mm	70mm	70mm	110mm
Cartridge Length	151mm	151mm	224mm	224mm	285mm
End Plug	1/2" Male Threaded	3/4" Female Threaded	3/4" Female Threaded	3/4" Female Threaded	3/4" Female Threaded

Mini T Type Screen Filter

1½" & 2"

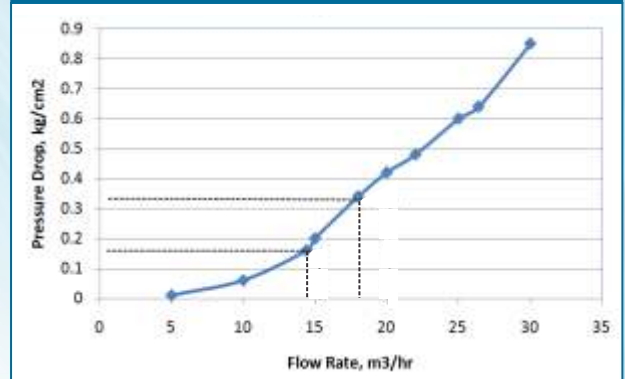
New



Features

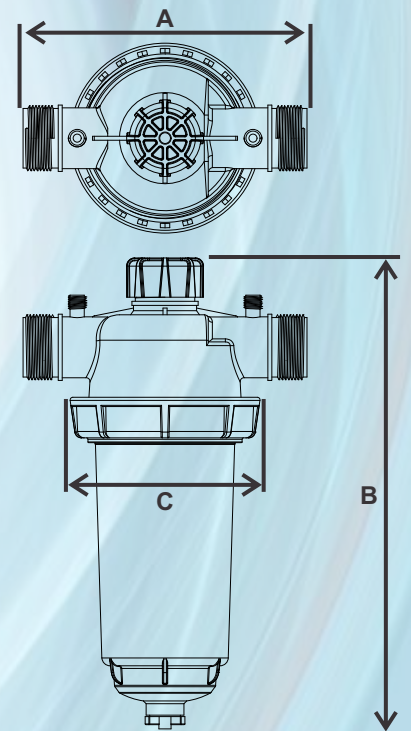
- Flow passes through Inside to Outside of Screen cartridge
- Uniform distribution of flow into filter housing optimize filtration process.
- Filter designed for Max. Operating Pressure 6bar (PN6).
- ¼" Male threaded 2 pressure ports.
- Stainless Steel (SS 316) double mesh screen for rust prevention.
- Union Nut for easy dismantling of filter for fast cleaning operation.
- Filter body cap equipped with ½" female threaded connection for draining
- Screen Cartridge with Double Screen 30 & 120mesh to avoid tearing of mesh.

Performance Graph



Specifications

Model	AQ-123T	AQ-124TM
Max. Working Pressure	6 kg/cm ²	6 kg/cm ²
Recommended flow	15 m ³ /h (250 lit/m)	20 m ³ /h (333 lit/m)
Range of Flow Rate	12-16 m ³ /hr	18 – 22 m ³ /h
Filter Disc (Standard)	Double Screen 30/ 120 mesh	
Filtration Surface Area	295 cm ²	295 cm ²
Inlet/Outlet Connection	1½" BSP/NPT male thread	2" BSP/NPT male thread
Distance between End Connections (A)	208mm	221mm
Filter Height (With End Plug) (B)	342mm	345mm
Filter Width (C)	140mm	140mm
Cartridge Diameter (with O-Ring)	70mm	70mm
Cartridge Length	224mm	224mm
End Plug	½" Male Threaded	½" Male Threaded



Screen Filters

T Type

Outside - Inside filtration



AQ-87 VB

Specially designed Vacuum Breaker



Specifications

Model	124T (HC)	124TL (HC)	125T (HC)	125TL (HC)	126T (HC)	126TL (HC)
Max. Working Pressure	6 kg/cm ²	6 kg/cm ²	6 kg/cm ²	6 kg/cm ²	6 kg/cm ²	6 kg/cm ²
Recommended flow	417 lit/m	500 lit/m	500 lit/m	667 lit/m	667 lit/m	833 lit/m
	(25 m ³ /h)	(30 m ³ /h)	(30 m ³ /h)	(40 m ³ /h)	(40 m ³ /h)	(50 m ³ /h)
Range of Flow Rate	20 – 27 m ³ /h	25 – 32 m ³ /h	27 – 35 m ³ /h	35 – 45 m ³ /h	35 – 45 m ³ /h	45 – 51 m ³ /h
Screen Cartridge (Standard)	Single 120mesh SS-316, 5 Heddle Screen weaving					
Filtration Surface area	480 cm ²	754 cm ²	480 cm ²	754 cm ²	754 cm ²	960 in ²
Inlet/outlet connection	2" BSP /NPT male thread	2" BSP /NPT male thread	2.5" BSP /NPT male thread	2.5" BSP /NPT male thread	3" BSP /NPT male thread	3" BSP /NPT male thread
Distance Connections	340mm	340mm	343mm	343 mm	345mm	345mm
Max. filter height (vacuum breaker + End Cap)	550 mm	630 mm	560 mm	635 mm	650 mm	780 mm
Max. filter width (Drain valve + Clamp)	325 mm	325 mm	325 mm	325 mm	325 mm	325 mm
Cartridge Diameter (with O-ring)	122 mm	121 mm	122 mm	121 mm	121 mm	121 mm
Cartridge Length	252 mm	377 mm	252 mm	377mm	377 mm	502 mm
Drain Valve	3/4" M x 3/4" M valve	3/4" M x 3/4" F valve	3/4" M x 3/4" F valve	3/4" M x 3/4" F valve	3/4" M x 3/4" F valve	3/4" M x 3/4" F valve



New

Size Available
100, 130, 200 microns

Specially designed cartridge skeleton for giving extra ordinary strength to screen element.

Features

- Outside - Inside filtration.
- Bigger port for water drainage.
- Special single mesh SS-316 for strength and corrosion resistance.
- Provided with specially designed vacuum breaker valve to avoid vacuum formation.
- The filters are made from special chemically bonded polymer which are weather resistant.
- DuPont Nylon Hybrid Clamp with SS lock.
- Specially designed long handle for easy clamp opening.

Screen Filters

T Type

Inside - Outside filtration

Specifications

Model	124T	124TL	125T	125TL	126T	126TL
Max. Working Pressure *	8 kg/cm ²	8 kg/cm ²	8 kg/cm ²	8 kg/cm ²	8 kg/cm ²	8 kg/cm ²
Recommended flow	417 lit/m	500 lit/m	500 lit/m	667 lit/m	667 lit/m	833 lit/m
	(25 m ³ /h)	(30 m ³ /h)	(30 m ³ /h)	(40 m ³ /h)	(40 m ³ /h)	(50 m ³ /h)
Range of Flow Rate	20 – 27 m ³ /h	25 – 32 m ³ /h	27 – 35 m ³ /h	35 – 45 m ³ /h	35 – 45 m ³ /h	45 – 51 m ³ /h
Screen Cartridge (Standard)	120/30 mesh double net SS (removable cartridge)					
Filtration Surface area	554 cm ²	831 cm ²	554 cm ²	831 cm ²	831 cm ²	1108 in ²
Inlet/outlet connection	2" BSP /NPT male thread	2" BSP /NPT male thread	2.5" BSP /NPT male thread	2.5" BSP /NPT male thread	3" BSP /NPT male thread	3" BSP /NPT male thread
Distance Connections	340mm	340mm	343mm	343 mm	345mm	345mm
Max. filter height (Drain valve + End Cap)	617 mm	690 mm	620 mm	700 mm	702 mm	842 mm
Max. filter width (End Cap + Clamp)	249 mm	249 mm	249 mm	249 mm	249 mm	249 mm
Cartridge Diameter (with O-ring)	122 mm	121 mm	122 mm	121 mm	121 mm	121 mm
Cartridge Length	252 mm	382 mm	252 mm	382mm	382 mm	502 mm
Drain Valve	3/4" M x 3/4" M valve	3/4" M x 3/4" F valve	3/4" M x 3/4" F valve	3/4" M x 3/4" F valve	3/4" M x 3/4" F valve	3/4" M x 3/4" F valve

*PN-10 rating filters are also available in Polyamide (Nylon).

Mesh Size Available
30, 80, 120, 150 microns



Features

- The filters are made from special Chemically bonded Polymer which are weather resistant.
- Screen filter cartridges are made of Stainless Steel - Double mesh which are corrosion resistant.
- Inside-Outside filtration.
- SS Clamp for high pressure operations.

Double Body Screen Filter

3" & 4"

New



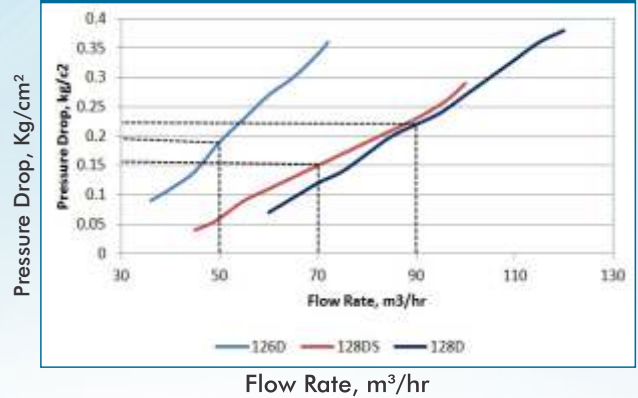
Features

- Flow passes through inside to outside of screen cartridge.
- Uniform distribution of flow into filter housing optimizes the filtration process.
- Threaded brass insert, 4 pressure ports for increasing operational life of the filter.
- Double mesh provides extra strength to avoid damage to 120 mesh screen.
- Both barrels equipped with 3/4" female threaded connection for easy drainage.
- Inside design of screen cartridge facilitates easy cleaning by brush.

120 mesh



Clean Pressure Drop Curve



Specifications

Model	AQ-126D	AQ-128DS	AQ-128D
Max. Working Pressure	8 kg/cm ²	8 kg/cm ²	8 kg/cm ²
Recommended Flow	50 m ³ /h (833 lit/m)	70 m ³ /h (1167 lit/m)	90 m ³ /h (1500 lit/m)
Range of Flow Rate	45 - 60 m ³ /h	60 - 80 m ³ /h	80 - 100 m ³ /h
Screen Cartridge (Standard)	120 mesh Screen, Blue color Cartridge (2nos. Removable cartridge)		
Filtration Surface area	1108 cm ²	1662 cm ²	2216 cm ²
Inlet/Outlet connection	3" BSP/NPT male thread	4" BSP/NPT male thread	4" BSP/NPT male thread
Closing System	Stainless Steel Clamp		
Distance between End Connections	360mm	360mm	360mm
Filter height (Both Side Ball Valve)	970mm	1128mm	1378mm
Filter Width	257mm	257mm	257mm
Cartridge Diameter	119mm	119mm	119mm
Cartridge Length	254mm x 2	383mm x 2	504mm x 2
Drain Valve (2 nos.)	3/4" Female x Male threaded	3/4" Female x Male threaded	3/4" Female x Male threaded

AUTOMAT SCREEN FILTERS

Model	121Y	122Y	123YM	124YS	124Y	123T	124TM	124T	124TL	125T	125TL	126T	126TL	126D	128DS	128D
Max. Working Pressure	6 kg/cm ²	6 kg/cm ²	6 kg/cm ²	6 kg/cm ²	8 kg/cm ²	6 kg/cm ²	6 kg/cm ²	8 kg/cm ²	8 kg/cm ²	8 kg/cm ²	8 kg/cm ²	8 kg/cm ²	8 kg/cm ²	8 kg/cm ²	8 kg/cm ²	8 kg/cm ²
Recommended flow	83 lit/m (5 m ³ /h)	116.7 lit/m (7 m ³ /h)	250 lit/m (15 m ³ /h)	333 lit/m (20 m ³ /h)	417 lit/m (25 m ³ /h)	250 lit/m (15 m ³ /h)	333 lit/m (20 m ³ /h)	417 lit/m (25 m ³ /h)	500 lit/m (30 m ³ /h)	500 lit/m (30 m ³ /h)	667 lit/m (40 m ³ /h)	667 lit/m (40 m ³ /h)	833 lit/m (50 m ³ /h)	833 lit/m (50 m ³ /h)	1167 lit/m (70 m ³ /h)	1500 lit/m (90 m ³ /h)
Range of Flow Rate	4 – 6 m ³ /h	5 – 8 m ³ /h	12 – 16 m ³ /h	18 – 22 m ³ /h	18 – 27 m ³ /h	12 – 16 m ³ /h	18 – 22 m ³ /h	20 – 27 m ³ /h	25 – 32 m ³ /h	27 – 35 m ³ /h	35 – 45 m ³ /h	35 – 45 m ³ /h	45 – 51 m ³ /h	45 – 60 m ³ /h	60 – 80 m ³ /h	80 – 100 m ³ /h
Screen Cartridge (Standard)	Single Screen 120 Mesh	Double Screen 30/120 mesh	Double Screen 30/120 mesh	Double Screen 30/120 mesh	Double Screen 30/120 mesh	Double Screen 30/120 mesh	Double Screen 30/120 mesh	Double Screen 30/120 mesh	Double Screen 30/120 mesh	Double Screen 30/120 mesh	Double Screen 30/120 mesh	Double Screen 30/120 mesh	Double Screen 30/120 mesh	Double Screen 30/120 mesh	Double Screen 30/120 mesh	Double Screen 30/120 mesh
Filtration Surface area	120 cm ²	120 cm ²	295 cm ²	295 cm ²	492 cm ²	295 cm ²	295 cm ²	554 cm ²	831 cm ²	554 cm ²	831 cm ²	831 cm ²	1108 in ²	1108 cm ²	1662 cm ²	2216 cm ²
Inlet/outlet connection	3/4" BSP male thread	1" BSP male thread	1 1/2" BSP /NPT male thread	2" BSP /NPT male thread	2" BSP /NPT male thread	1 1/2" BSP /NPT male thread	2" BSP /NPT male thread	2" BSP /NPT male thread	2.5" BSP /NPT male thread	2.5" BSP /NPT male thread	2.5" BSP /NPT male thread	3" BSP /NPT male thread	3" BSP /NPT male thread	3" BSP /NPT male thread	4" BSP /NPT male thread	4" BSP /NPT male thread
Closing System	Threaded Cover	Threaded Cover	Threaded Cover	Threaded Cover	Threaded Cover	Plastic Union Nut	Plastic Union Nut	Stainless Steel Clamp	Stainless Steel Clamp	Stainless Steel Clamp	Stainless Steel Clamp	Stainless Steel Clamp	Stainless Steel Clamp	Stainless Steel Clamp	Stainless Steel Clamp	Stainless Steel Clamp
Distance Connections	155.5 mm	183 mm	237 mm	237 mm	303 mm	208 mm	221 mm	340 mm	340 mm	343 mm	343 mm	345 mm	345 mm	360 mm	360 mm	360 mm
Filter height	252 mm	245 mm	320 mm	325 mm	410 mm	342 mm	345 mm	617 mm	690 mm	620 mm	700 mm	702 mm	842 mm	970 mm	1128 mm	1378 mm
Filter width	87 mm	86.5 mm	128 mm	128 mm	171 mm	140 mm	140 mm	249 mm	249 mm	249 mm	249 mm	249 mm	249 mm	257 mm	257 mm	257 mm
Cartridge Diameter (with O-ring)	48 mm	48 mm	70 mm	70 mm	110 mm	70 mm	70 mm	122 mm	121 mm	122 mm	121 mm	121 mm	122 mm	119 mm	119 mm	119 mm
Cartridge Length	151 mm	151 mm	224 mm	224 mm	285 mm	224 mm	224 mm	252 mm	382 mm	252 mm	382 mm	382 mm	502 mm	254 mm	383 mm	504 mm
Drain Valve	1/2" End Plug	3/4" Female Threaded	3/4" Plug Cap	3/4" Plug Cap	3/4" Plug Cap	1/2" End Plug	1/2" End Plug	3/4" M x 3/4" M valve	3/4" M x 3/4" M valve	3/4" M x 3/4" M valve	3/4" M x 3/4" M valve	3/4" M x 3/4" M valve	3/4" M x 3/4" M valve	3/4" M x 3/4" M valve	3/4" M x 3/4" M valve	3/4" M x 3/4" M valve

Y Type Manual Disc Filters

3/4", 1", 1 1/2" & 2"

New



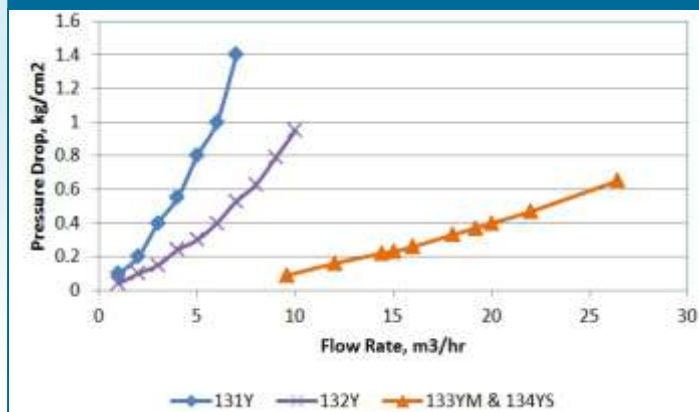
New



Features

- Disc Filter designed for Outside to Inside flow.
- AUXILIARY CONNECTIONS - Two pressure gauge ports with 1/4" male threaded connections.
- Filter body and cap connected by threaded connection to sustain high pressure and easy opening & closing.
- High filtration efficiency.
- Spring loaded Disc cartridge for uniform compression of Discs.
- UV protected, chemical and high pressure resistant reinforced plastic material used.

Performance Graph



Specifications

Model	AQ-131Y	AQ-132Y	AQ-133YM	AQ-134YS
Max. Working Pressure	6 kg/cm ²	6 kg/cm ²	6 kg/cm ²	6 kg/cm ²
Recommended flow	3 m ³ /h (50 lit/m)	6 m ³ /h (100 lit/m)	15 m ³ /h (250 lit/m)	20 m ³ /h (333 lit/m)
Range of Flow Rate	3-5 m ³ /hr	5 – 8 m ³ /h	12 – 16 m ³ /h	18 – 22 m ³ /h
Filter Disc (Standard)	120 mesh PP Red disc (1 Removable Cartridge)			
Filtration Surface Area	147.5 cm ²	147.5 cm ²	409 cm ²	409 cm ²
Inlet/Outlet Connection	3/4" BSP/NPT male thread	1" BSP/NPT male thread	1 1/2" BSP/NPT male thread	2" BSP/NPT male thread
Distance between End Connections (A)	155.5mm	183mm	237mm	237mm
Filter Height (With End Plug) (B)	252mm	245mm	320mm	325mm
Filter Width (C)	86.5mm	87mm	128mm	128mm
Cartridge Diameter	47.5mm	47.5mm	70mm	70mm
Cartridge Length	151mm	143.5mm	208mm	208mm
End Plug	1/2" Male Threaded	3/4" Female Threaded	3/4" Female Threaded	3/4" Female Threaded

Mini T Type Disc Filter

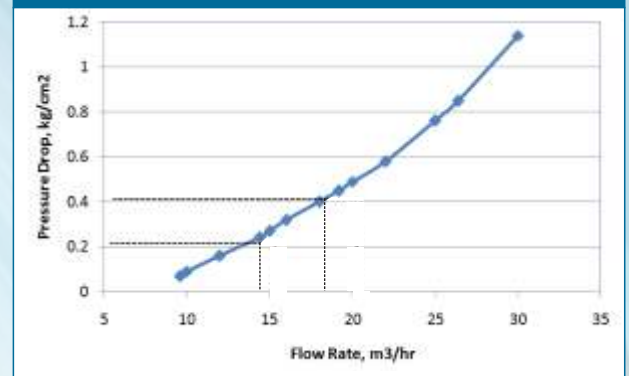
1½" & 2"



Features

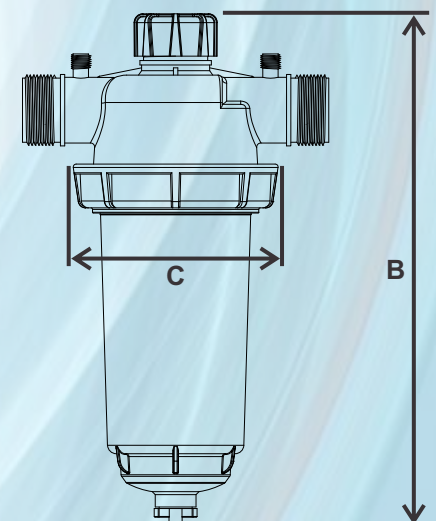
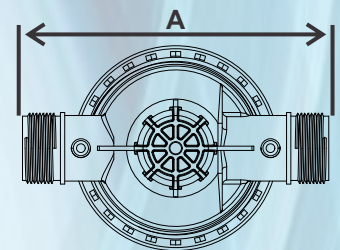
- Flow passes through outside to Inside of Disc cartridge.
- Uniform distribution of flow into filter housing optimize filtration process.
- Filter designed for Max. Operating Pressure 6 BAR (PN 6).
- ¼" Male threaded 2 pressure ports .
- Spring Loaded disc cartridges for uniform compression of disc.
- Fast cleaning of disc cartridge because of self loosen design.
- Union Nut for easy dismantling of filter for fast cleaning operation.
- Filter body cap equipped with ½" female threaded connection for draining.
- Grooved disc design with dimensional consistency proven with more than 95% filter efficiency.

Performance Graph



Specifications

Model	AQ-133T	AQ-134TM
Max. Working Pressure	6 kg/cm ²	6 kg/cm ²
Recommended flow	15 m ³ /h (250 lit/m)	20 m ³ /h (333 lit/m)
Range of Flow Rate	12-16 m ³ /hr	18 – 22 m ³ /h
Filter Disc (Standard)	120 Mesh PP Disc (One removable cartridge)	
Filtration Surface Area	409 cm ²	409 cm ²
Inlet/Outlet Connection	1½" BSP/NPT male thread	2" BSP/NPT male thread
Distance between End Connections (A)	208mm	221mm
Filter Height (With End Plug) (B)	342mm	345mm
Filter Width (C)	140mm	140mm
Cartridge Diameter (with O-Ring)	70mm	70mm
Cartridge Length (without spring)	208mm	208mm
End Plug	½" Male Threaded	½" Male Threaded



Disc Filters



Disc Size Available
120 Microns, 150 Microns

Specifications

Model	134TS (HC)	134T (HC)	135T (HC)	135TL (HC)	136TS (HC)	136T (HC)
Max. Operating Pressure	6 kg/cm ²	6 kg/cm ²	6 kg/cm ²	6 kg/cm ²	6 kg/cm ²	6 kg/cm ²
Max. Recommended flow	417 lit/m (25 m ³ /h)	500 lit/m (30 m ³ /h)	500 lit/m (30 m ³ /h)	667 lit/m (40 m ³ /h)	667 lit/m (40 m ³ /h)	833 lit/m (50 m ³ /h)
Range of Flow Rate	18 – 27 m ³ /h	22 – 35 m ³ /h	25-35 m ³ /h	35 – 45 m ³ /h	35 – 45 m ³ /h	45 – 52 m ³ /h
Filter Screen (Standard)	120 mesh PP disc (removable cartridge)	120 mesh PP disc (removable cartridge)	120 mesh PP disc (removable cartridge)	120 mesh PP disc (removable cartridge)	120 mesh PP disc (removable cartridge)	120 mesh PP disc (removable cartridge)
Filtration Surface area	878 cm ²	1193 cm ²	878 cm ²	1193 cm ²	1193 cm ²	1690 cm ²
Inlet/outlet connection	2" BSP/NPT male thread	2" BSP/NPT male thread	2.5" BSP/ NPT male thread	2.5" BSP/ NPT male thread	3" BSP/NPT male thread	3" BSP/NPT male thread
Distance Connections	340mm	340mm	343mm	343 mm	345mm	345mm
Max. filter height (vacuum breaker + End Cap)	550 mm	630 mm	560 mm	635 mm	650 mm	780 mm
Max. filter width (Drain valve + Clamp)	325 mm	325 mm	325 mm	325 mm	325 mm	325 mm
Cartridge Diameter (with O-ring)	122 mm	121 mm	122 mm	121 mm	121 mm	121 mm
Cartridge Length	252 mm	377 mm	252 mm	377mm	377 mm	502 mm
Drain Valve	3/4" M x 3/4" M valve	3/4" M x 3/4" F valve	3/4" M x 3/4" F valve	3/4" M x 3/4" F valve	3/4" M x 3/4" F valve	3/4" M x 3/4" F valve

Features

- DuPont Nylon Hybrid Clamp with SS Lock for high pressure operations.
- Bigger drain Port with 3/4" ball valve for quick drainage.
- Disc Filters are made with special Helix system which gives better performance & results.



Vacuum Breaker



Drain Port



Hybrid Clamp

Disc Filters



Disc Size Available
120 Microns, 150 Microns

Specifications

Model	134TS	134T	135T	135TL	136TS	136T
Max. Operating Pressure *	8 kg/cm ²	8 kg/cm ²	8 kg/cm ²	8 kg/cm ²	8 kg/cm ²	8 kg/cm ²
Max. Recommended flow	417 lit/m (25 m ³ /h)	500 lit/m (30 m ³ /h)	500 lit/m (30m ³ /h)	667 lit/m (40 m ³ /h)	667 lit/m (40 m ³ /h)	833 lit/m (50 m ³ /h)
Range of Flow Rate	18 – 27 m ³ /h	22 – 35 m ³ /h	25-35 m ³ /h	35 – 45 m ³ /h	35 – 45 m ³ /h	45 – 52 m ³ /h
Filter Screen (Standard)	120 mesh PP disc (removable cartridge)	120 mesh PP disc (removable cartridge)	120 mesh PP disc (removable cartridge)	120 mesh PP disc (removable cartridge)	120 mesh PP disc (removable cartridge)	120 mesh PP disc (removable cartridge)
Filtration Surface area	878 cm ²	1193 cm ²	878 cm ²	1193 cm ²	1193 cm ²	1690 cm ²
Inlet/outlet connection	2" BSP/NPT male thread	2" BSP/NPT male thread	2.5" BSP/ NPT male thread	2.5" BSP/ NPT male thread	3" BSP/NPT male thread	3" BSP/NPT male thread
Distance Connections	340 mm	340 mm	343 mm	343 mm	345 mm	345 mm
Max. filter height (Drain valve + End Cap)	617 mm	690 mm	620 mm	700 mm	702 mm	842 mm
Max. filter width (End Cap + Clamp)	249 mm	249 mm	249 mm	249 mm	249 mm	249 mm
Cartridge Diameter (with O-ring)	122 mm	121 mm	122 mm	121 mm	121 mm	121 mm
Cartridge Length	252 mm	382 mm	252 mm	382mm	382 mm	502 mm
Drain Valve	3/4" M x 3/4" M valve	3/4" M x 3/4" F valve	3/4" M x 3/4" F valve	3/4" M x 3/4" F valve	3/4" M x 3/4" F valve	3/4" M x 3/4" F valve

Features

- Outside to Inside flow passes through stacks of disc.
- Design allows both upside & downside of filter barrel installation.
- Stainless steel clamp allow filter to operate at high pressure upto 8 bar and gives maximum safety during working.
- Drain port provided below the filter barrel with 3/4"x3/4" drain valve.
- Grooved disc designed provide high filtration efficiency and separation of physical and bacterial impurities.
- Disc housing fan gives water a rotating motion that reduces the cleaning frequency.
- No tooling is required to open the filter during cleaning & maintenance.

*PN-10 rating filters are also available in Polyamide (Nylon).

Double Body Disc Filter

3" & 4"

New



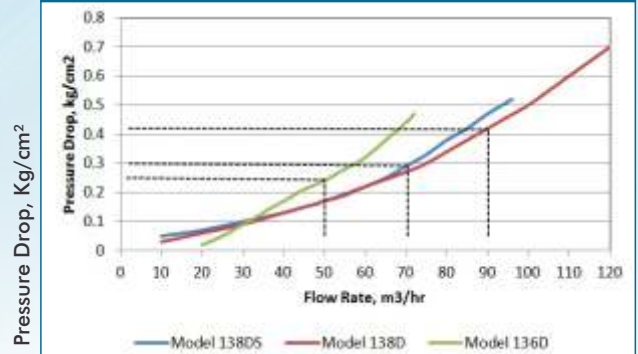
Features

- Robust design.
- Disc housing fan generates hydro cyclonic effect that reduces cleaning frequency.
- Grooved disc design provides high filtration efficiency.
- Uniform distribution of flow into filter housing optimizes filtration process.
- 3/4" Drain Ball valve & end plugs supplied along with the filter.

120 mesh PP Red Disc



Clean Pressure Drop Curve



Flow Rate, m³/hr

Specifications

Model	AQ-136D	AQ-138DS	AQ-138D
Max. Working Pressure	8 kg/cm ²	8 kg/cm ²	8 kg/cm ²
Recommended Flow	50 m ³ /h (833 lit/m)	70 m ³ /h (1167 lit/m)	90 m ³ /h (1500 lit/m)
Range of Flow Rate	45 - 60 m ³ /h	60 - 80 m ³ /h	80 - 100 m ³ /h
Filter Disc (standard)	120 mesh PP Red disc (2nos. removable cartridge)	120 mesh PP Red disc (2nos. removable cartridge)	120 mesh PP Red disc (2nos. removable cartridge)
Filtration Surface area	1756 cm ²	2380 cm ²	3380 cm ²
Inlet/Outlet connection	3" BSP/NPT male thread	4" BSP/NPT male thread	4" BSP/NPT male thread
Distance between End Connections	360mm	360mm	360mm
Filter height (Both Side End plug)	835mm	992mm	1240mm
Filter Width	338mm	338mm	338mm
Cartridge Diameter	131mm	131mm	131mm
Cartridge Length	300mm x 2	400mm x 2	525mm x 2
Drain Valve (1 no.)	3/4" Female x Male threaded	3/4" Female x Male threaded	3/4" Female x Male threaded
End Plugs (2nos.)	3/4" Male Threaded	3/4" Male Threaded	3/4" Male Threaded

AUTOMAT DISC FILTERS

Model	131Y	132Y	133YM	134YS	133T	134TM	134TS	134T	135T	135TL	136TS	136T	136D	138DS	138D
Max. Working Pressure	6 kg/cm ²	6 kg/cm ²	6 kg/cm ²	6 kg/cm ²	6 kg/cm ²	6 kg/cm ²	8 kg/cm ²	8 kg/cm ²	8 kg/cm ²	8 kg/cm ²	8 kg/cm ²	8 kg/cm ²	8 kg/cm ²	8 kg/cm ²	8 kg/cm ²
Recommended flow	50 lit/m (3 m ³ /h)	100 lit/m (6 m ³ /h)	250 lit/m (15 m ³ /h)	333 lit/m (20 m ³ /h)	250 lit/m (15 m ³ /h)	333 lit/m (20 m ³ /h)	417 lit/m (25 m ³ /h)	500 lit/m (30 m ³ /h)	500 lit/m (30 m ³ /h)	667 lit/m (40 m ³ /h)	667 lit/m (40 m ³ /h)	833 lit/m (50 m ³ /h)	833 lit/m (50 m ³ /h)	1167 lit/m (70 m ³ /h)	1500 lit/m (90 m ³ /h)
Range of Flow Rate	3 - 5 m ³ /h	5 - 8 m ³ /h	12 - 16 m ³ /h	18 - 22 m ³ /h	12 - 16 m ³ /h	18 - 22 m ³ /h	18 - 27 m ³ /h	22 - 35 m ³ /h	25 - 35 m ³ /h	35 - 45 m ³ /h	35 - 45 m ³ /h	45 - 52 m ³ /h	45 - 60 m ³ /h	60 - 80 m ³ /h	80 - 100 m ³ /h
Filter Disc (Standard)	120 mesh PP disc (One removable cartridge)														
Filtration Surface area	147.5 cm ²	147.5 cm ²	409 cm ²	409 cm ²	409 cm ²	409 cm ²	878 cm ²	1193 cm ²	878 cm ²	1193 cm ²	1193 cm ²	1690 cm ²	1756 cm ²	2380 cm ²	3380 cm ²
Inlet/outlet connection	3/4" BSP /NPT male thread	1" BSP/NPT male thread	1/2" BSP /NPT male thread	2" BSP /NPT male thread	1/2" BSP /NPT male thread	2" BSP /NPT male thread	2" BSP /NPT male thread	2" BSP /NPT male thread	2" BSP /NPT male thread	2.5" BSP /NPT male thread	3" BSP /NPT male thread	3" BSP /NPT male thread	3" BSP /NPT male thread	4" BSP /NPT male thread	4" BSP /NPT male thread
Closing System	Threaded Cap	Threaded Cap	Threaded Cap	Threaded Cap	Plastic Union Nut	Plastic Union Nut	Reinforced Nylon Clamp	SS Clamp	SS Clamp	SS Clamp	SS Clamp	SS Clamp	SS Clamp	SS Clamp	SS Clamp
Distance Connections between End	155.5 mm	183 mm	237mm	237mm	208mm	221mm	340 mm	340mm	343mm	343mm	345 mm	345mm	360mm	360mm	360mm
Max. Filter height (Drain valve + End Cap)	252 mm	245 mm	320 mm	325 mm	342mm	345mm	617 mm	690 mm	620 mm	700 mm	702 mm	842 mm	835mm	992mm	1240mm
Max. Filter width (End Cap + Clamp)	86.5mm	86.5mm	128 mm	128 mm	140mm	140mm	249 mm	249 mm	249 mm	249 mm	249 mm	249 mm	338mm	338mm	338mm
Cartridge Diameter (with O-ring)	47.5mm	47.5mm	70 mm	70 mm	70mm	70mm	122 mm	121 mm	122 mm	121 mm	121 mm	121 mm	131mm	131mm	131 mm
Cartridge Length	151mm	143.5mm	208 mm	208 mm	208mm	208mm	252 mm	382 mm	252 mm	382 mm	382 mm	502 mm	300mm	400mm	525mm
Drain Valve	1/2" End Plug	3/4" Female Threaded	3/4" Plug Cap	3/4" Plug Cap	1/2" End Plug	1/2" End Plug	3/4" M x 3/4" M valve	3/4" M x 3/4" M valve	3/4" M x 3/4" M valve	3/4" M x 3/4" M valve	3/4" M x 3/4" M valve	3/4" M x 3/4" M valve	3/4" M x 3/4" M valve	3/4" M x 3/4" M valve	3/4" M x 3/4" M valve

Hydrocyclone Filter

2", 2½" & 3"



AQ-144M

AQ-146M

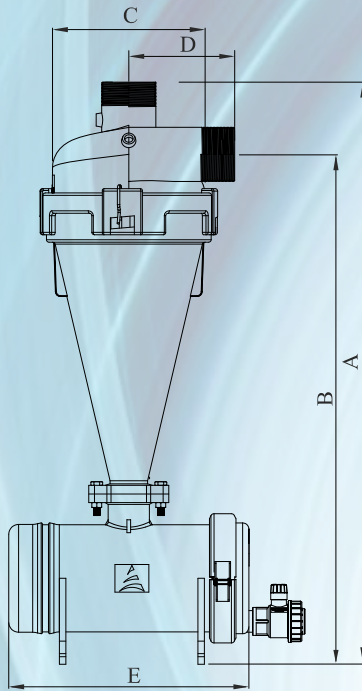


Features

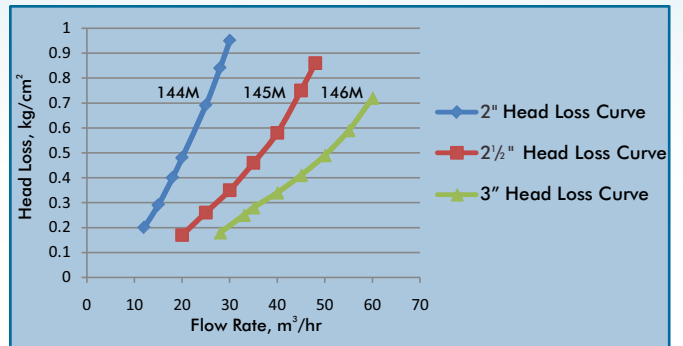
- Body made of reinforced engineering plastic for durability.
- Hydro dynamically designed to create maximum centrifugal action.
- Dirt can be easily flushed out through drain port.
- Collector chamber can be easily cleaned by opening collector cover.
- Easy to Install and low maintenance.
- **Specially designed High Wear Resistant Special Plastic inserted in the bottom of cone to avoid wear due to strong sand vortex.**

Specifications

- Available in :
2" : AQ-144M
2½" : AQ-145M
3" : AQ-146M
- Material of Construction: Reinforced Polypropylene/Nylon
- Available Connections: BSPT Male Threaded / Flange / Victaulic
- Maximum Operating Pressure: 6 Kg/cm²



Performance Graph



Performance Data

Model No.	Inlet / Outlet Inch/mm	Rec. Range of Flow Rate, m ³ /hr	Nominal Flow Rate m ³ /hr	Dimensions (mm)					Capacity of Underflow Chamber (ltr)	Gross Weight
				A	B	C	D	E		
144M	2" /50	15-25	25	940	808	206	151	395	8	7.6 kg.
145M	2½" /65	25-40	30	940	815	206	151	395	8	7.8 kg.
146M	3" / 80	35-50	50	990	868	248	175	395	8	9.4 kg.
				990	868	248	175	482	10	9.6 kg.

Pressure Gauge



AQ-305



AQ-310



AQ-320

Features

- Thread Size : 1/4" BSP Male
- Economical Version
- General Purpose Application
- Warranty : 12 months
- Dial : 2"

Features

- Thread Size : 1/4" BSP Male
- General Purpose Application
- Warranty : 12 months
- Dial : 2 1/2"

Features

- Thread Size : 1/4" BSP Male
- Rugged Construction
- Glycerine Filled
- Standard followed in General EN 837-1 / General EN 837-1
- Warranty : 12 months
- Dial : 2 1/2"

Specifications

	AQ-305	AQ-310	AQ-320
Model No.	AQ-305	AQ-310	AQ-320
Standard Version	50mm	63mm	63mm
Glycerine Filled Version	N.A	N.A	N.A
Accuracy	± 2% of F.S. (For NS 50mm)	± 2% of F.S. (For NS 63mm)	± 1.6% of F.S. (For NS 63mm)
Ambient Temperature	- 20°C to +65°C	- 20°C to +65°C	- 20°C to +65°C
Process Temperature	Max. 65°C	Max. 65°C	Max. 65°C
Dampening liquids	N.A	N.A	Glycerine 99.7%
Operating Pressure Range	75% of Scale Valve	75% of Scale Valve	75% of Scale Valve
Over Pressure Limit			
< 100 Bar	25% of Max. Scale valve	25% of Max. Scale valve	125% of Max. Scale valve
> 100 to < 600 Bar	N.A	15% of Max. Scale valve	115% of Max. Scale valve
> 600 to < 600 Bar	N.A	10% of Max. Scale valve	110% of Max. Scale valve
Case & Bezel	Engineering Plastic (Push Fit Type)	Engineering Plastic (Push Fit Type)	AISI 304 SS (Rolling Type) & Bayonet Type for NS 80 mm
Socket	Copper Alloy	Copper Alloy	Copper Alloy
Bourdon	Copper Alloy	Copper Alloy	Copper Alloy
Movement	Copper Alloy	Copper Alloy	Copper Alloy
Joints	Alloy Brazing / Soldering	Alloy Brazing / Soldering	Alloy Brazing / Soldering
Protection	N.A	N.A	IP 65
Dial	Plastic, Black Graduation on White Background	Aluminium, Black Graduation on White Background	Aluminium, Black Graduation on White Background
Pointer	Black Coloured, Fixed	Black Coloured, Fixed	Black Coloured, Fixed
Window	Acrylic Plastic	Steel Glass	Plexi Glass
Filling Plug	N.A		
Gasket	N.A		
Nominal Size Range	0-7 kg/cm ²	0-7 kg/cm ²	0-7 kg/cm ²



Venturi Injector

3/4", 1", 1 1/2" & 2"



ROTAMETER
Realtime visibility & control of fertigation

Features

- Available in
AQ 112RS - 3/4" -BSPT
AQ 113RS - 1" -BSPT
AQ 114RS - 1 1/2" -BSP / NPT
AQ 115RS - 2" -BSP / NPT
- In-built check valve for protecting the injected liquid against back flow.
- With Rotameter, one can measure / read accurate suction of fertilizer injection rate.
- Rotameter is available in all sizes.
- All Ventury are also available with full assembly.

Benefits

- Controlled / Adjustable suction of fertilizers
- Delivers plant nutrients directly into the wetted zone (where root development is intensive)
- Can be used with a large variety of chemicals
- Uniform application of fertilizers
- Saves Energy & Manpower

Injector Selection Guide

Model No.	Size In/Out	Efficiency (P) required to Initiate suction	Motive flow (Lit/Hr) through injector @ 2.50kg/cm ²	Injection Capacity Lit/Hr
112	3/4"	30%	1525	40
113	1"	25%	4645	78
114	1 1/2"	25%	7860	320
115LF	2"	25%	11080	330
115HF	2"	20%	20100	450

Performance Data

Pressure		3/4" Venturi Injector		1" Venturi Injector		1 1/2" Venturi Injector		2" Venturi Injector Low Flow		2" Venturi Injector HighFlow	
P. in	P. out	Q inj	Q asp	Q inj	Q asp	Q inj	Q asp	Q inj	Q asp	Q inj	Q asp
Inlet Pressure kg/cm ²	Outlet Pressure kg/cm ²	Motive Flow L/H	Water Suction L/H	Motive Flow L/H	Water Suction L/H	Motive Flow L/H	Water Suction L/H	Motive Flow L/H	Water Suction L/H	Motive Flow L/H	Water Suction L/H
2	1	1310	165	4295	290	7050	700	10250	710	18900	1500
	1.25		115		157.5		440		630		1020
	1.5		53.5		30		130		275		600
2.5	1	1505	185	4647.5	352.5	7860	750	11080	700	20100	1500
	1.5		155		220		610		675		1080
	1.75		95		80		370		475		720
3	1.5	1625	185	5070	335	8200	750	12025	700	22500	1620
	2		130		160		450		625		840
	2.25		62.5		22		250		425		520
3.5	2	1740	180	5380	310	9070	720	12945	700	24300	1580
	2.5		105		85.5		400		550		860
	2.75		40		0		130		222.5		N/S
4	2	1870	200	5727.5	365	9750	750	13960	700	25800	1500
	2.5		175		250		700		690		1020
	2.75		125		135		500		625		840
	3		77.5		27.5		320		430		580

*The test carried out by using water as suction liquid.

Fertilizer Tank

Applications

- Fertilizer tanks for use of chemical and fertilizer injection through drip and sprinkler irrigation system.

Features

- Available in: 30 Ltr. - AQ 117
- Vacuum Breaker for fast air release to fill tank completely and air intake to avoid damage to tank and fast draining.
- Inlet flow becomes turbulent for excellent mixing of fertilizer and chemical with water.
- Fertilizer tank inlet and outlet ports are provided with valve to control the injection rate.
- MS plated handle for easy portable tank to suitable location. Wall thickness of tank suitable for high working pressure without damage to tank and for robust use.
- Handle fitted to the tank cover, end user can use it for easy open/close the cover, for pouring fertilizer/chemical into the tank.
- Hose assembly suitable for high working pressure without expansion and slipout connections.
- UV & Chemical resistant

Technical Specification

- Available tank capacity: 30 litre
- Inlet, outlet and Drain Ports Connection: 3/4" BSP/NPT Female threaded
- Max. working Pressure: 6 kg/cm²
- Material of Construction: HDPE

Operation

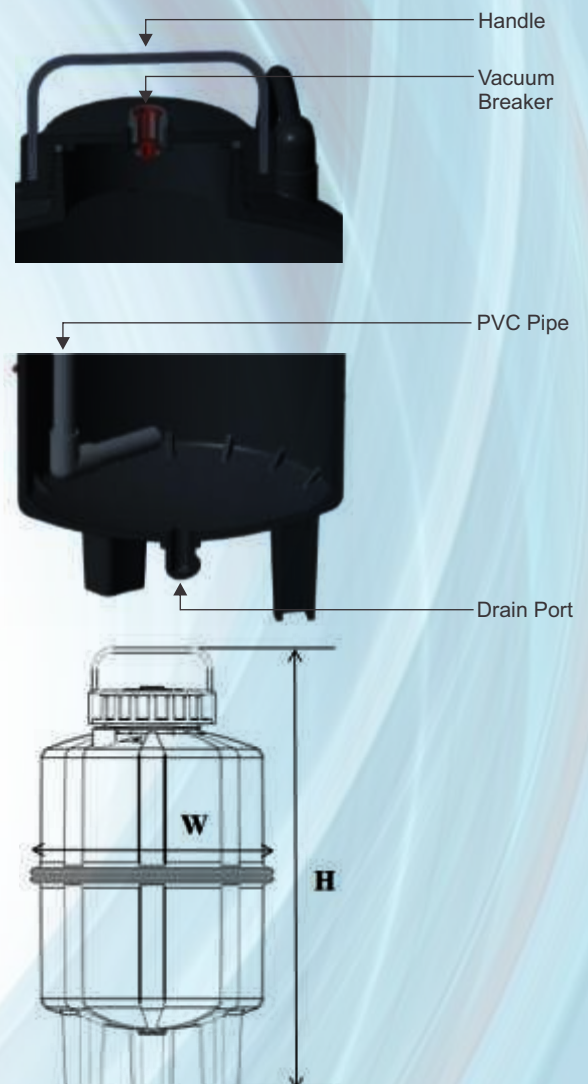
The fertilizer tanks are simple to use and easy to portable. A pressure differential between the inlet and outlet connections, creates flow into the tank through inlet port, displacing chemical from the tank through the outlet and into the mains.

Performance Chart

Pressure Differential between inlet/outlet, kg/cm ²	Min. Operation Time, min.
0.2	12.5
0.3	9.5
0.5	7.5

Dimensions & Weight

Height, H	685 mm
Width, W	382 mm
Weight	6.15 kg



Poly Valves (Compression x Threaded)

1"

New



Quick pipe connection enable users for fast and easy installation of drip system

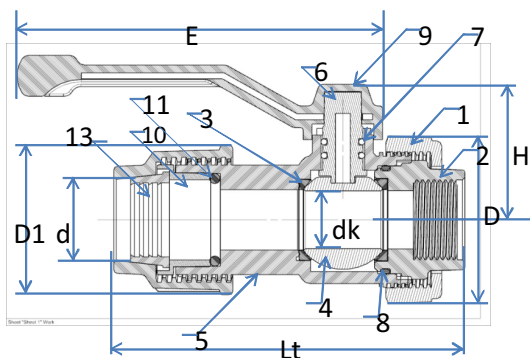
Features

- Quarter turn shut off valve.
- End connection : Threaded/Compression Type.
- Max. Pressure:10 bar/145 Psi.
- User friendly design allows smooth operation of handle.
- Industrial, chemical, turf & agriculture irrigation system, pool and spa application.
- All the parts are matching with the standards for the use of irrigation system.
- No leakage at working pressure range.
- More penetration of lateral pipe in the valve causes proper alignment.
- Permanent engraving of all specification and brand name on the product by changeable engraved inserts.
- Chemical/Corrosion resistant, Color UV stabilized.

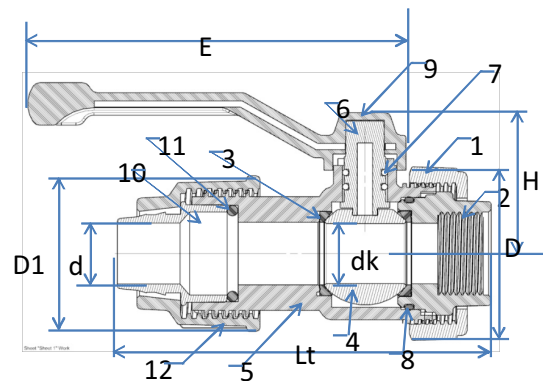
Specification Of Material

Part No.	Part Name	Material	Qty.
1	Ring	PP	1
2	Bush	PP	1
3	Seal	EPDM/TPE	2
4	Ball	UPVC	1
5	Body	PP	1
6	Shaft	UPVC	1
7	Shaft O-Ring	HNBR	2
8	Main O-Ring	HNBR	1
9	Handle	ABS	1
10	Compression Bush/Barbed Type	PP	1
11	C.F. O- Ring	HNBR	1
12	C.F. Cap	PP	1
13	C.F. Gripper	POM	1

Dimensions



AQ-263 BVCF



AQ-263 BVPF

Dimensions (mm)

Model No. & Size	Nominal Dia	BSP Thd./in	NPT Thd./in	ASTM d	BS d	DIN d	ISO d	dk	D	Lt	E	H
AQ-263 BVCF (1")	25	11	11½	33.4	34	32	32	24½	68.4	141.3	148.3	57.2
AQ-263 BVPF (1")	25	11	11½	33.4	34	32	32	24½	68.4	145.3	148.3	57.2

Single Union Ball Valves

3/4", 1", 1 1/4", 1 1/2", 2", 2 1/2" & 3"

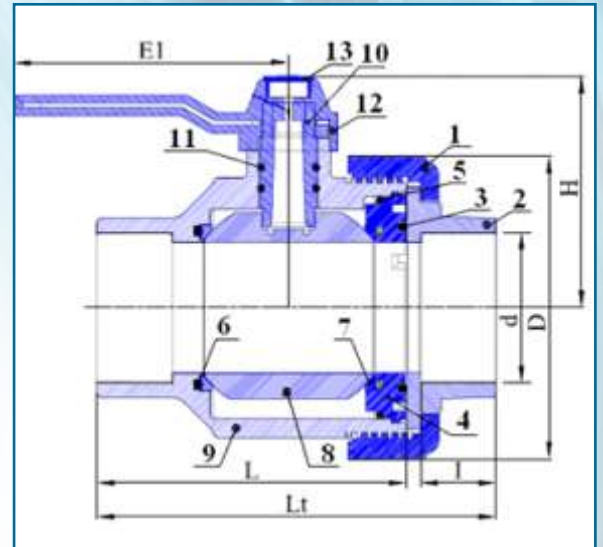


Sizes Available

Size	Threaded Connections		Solvent Connections
	Female x Female	Female x Male	Plain x Plain
3/4"	AQ-62FFSU	AQ-62FMSU	AQ-62PSU
1"	AQ-63FFSU	AQ-63FMSU	AQ-63PSU
1 1/4"	AQ-64FFSU	AQ-64FMSU	AQ-64PSU
1 1/2"	AQ-65FFSU	AQ-65FMSU	AQ-65PSU
2"	AQ-66FFSU	AQ-66FMSU	AQ-66PSU
2 1/2"	AQ-67FFSU	AQ-67FMSU	AQ-67PSU
3"	AQ-68FFSU	AQ-68FMSU	AQ-68PSU

Features

- Quarter turn handle operated ball valve.
- End connections : Threaded/Solvent Socket
- Max. Pressure : 3/4", 1", 1 1/4", 1 1/2" & 2" – 16Bar / 230 PSI
- 2 1/2" & 3" – 10 Bar / 145 PSI
- Male x Female connection is also available (1.5", 2" & 3") for turf application.
- User friendly design allows smooth operation of handle.
- Union nut load does not transfer onto ball.
- TPE Seals with O-ring gives cushioning effect that ensures leakage free and low fixed torque.
- Chemical/Corrosion resistant, Color UV stabilized.



Dimensions

Size	BSP	NPT	ASTM	BS	DIN	ISO	dk	D	I	L	Lt	E	H
	Thd./in	Thd./in	d	d	d	d							
20mm (3/4")	14	14	26.67	26	25	25	20	60	18	64.5	82.6	60.3	56.5
25mm (1")	11	11.5	33.4	34	32	32	24.5	69.2	20	71	93	70.5	62.6
32mm (1 1/4")	11	11.5	42.16	42	40	40	31.8	79.5	26	88	122.5	121.8	65.5
40mm (1 1/2")	11	11.5	48.26	48	50	50	39.4	94.4	32	76.6	148.8	121	88.3
50mm (2")	11	11.5	60.33	60	63	63	49.5	116	35.4	88	175.4	149.9	97
65mm (2 1/2")	11	8	73.03	75	75	75	59	131.6	30.45	108.4	186.7	162	106
80mm (3")	11	8	88.9	89	90	90	76	176.8	43.4	140	213.8	198.3	139

Double Union Ball Valves

1", 1 1/2", 2", 2 1/2", 3"



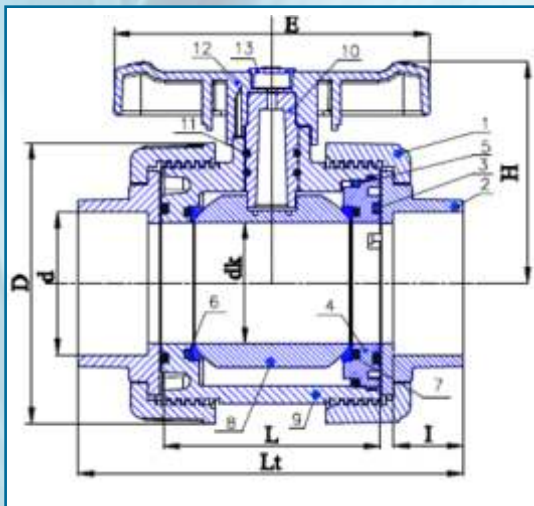
AQ - 67FFDU

Features

- Quarter turn handle operated ball valve.
- End connections : Threaded/Solvent Socket
- Max. Pressure:
 - 1" , 1-1/2" & 2" : 16 Bar/ 230Psi
 - 2-1/2" & 3" : 10 bar/ 145Psi
- True union design for easier installation or repair, without expanding the pipe system.
- User friendly design allows smooth operation of handle.
- Union nut load does not transfer onto ball.
- Free from vibration or chattering during opening and closing of valve.
- In build Spanner wrench on Handle for valve disassemble /assemble.
- TPE Seals with O-ring gives cushioning effect that ensures leakage free and low fixed torque.
- Chemical/Corrosion resistant, Color UV stabilized.



Handle made of polyamide with metal insert.
(For 2" Ball Valve)



Specification of Material

Position	Description	Material	Qty.
1	Ring	UPVC	2
2	Socket	UPVC	2
3	Bush Small O-Ring	NBR	2
4	Bush	UPVC	1
5	Bush Big O-Ring	NBR	1
6	*Seal O-Ring	NBR	2
7	Seal	EPDM/TPE	2
8	Ball	UPVC	1
9	Body	UPVC	1
10	Shaft	UPVC	1
11	Shaft O-Ring	NBR	**2
12	Handle	ABS	1
13	Handle Logo	ABS	1

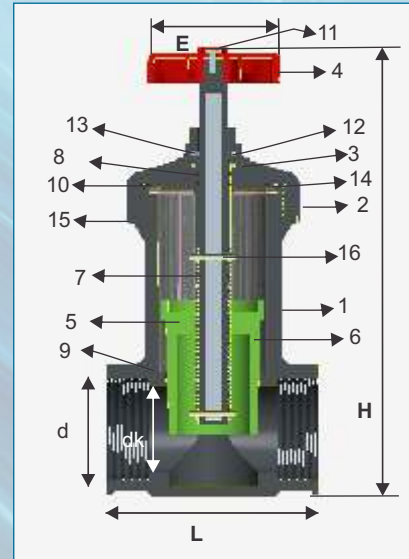
* Only in 1 1/2" & 3" Ball valve, ** one in 2" Model.

Dimensions

Size	BSP	NPT	ASTM	BS	DIN	ISO	dk	D	I	L	Lt	E	H
	Thd./in	Thd./in	d	d	d	d							
25mm (1")	11	11.5	33.4	34	32	32	24.5	68	23	55.5	108	80	62
40mm (1 1/2")	11	11.5	48.26	48	50	50	39.4	94.4	32	76.6	148.8	121	88.3
50mm (2")	11	11.5	60.33	60	63	63	49.5	116	35.4	88	175.4	149.9	97
65mm (2 1/2")	11	8	73.03	75	75	75	59	131.6	30.45	108.4	186.7	162	106
80mm (3")	11	8	88.9	89	90	90	76	176.8	43.4	140	213.8	198.3	139

Plastic Control (Throttle) Valves

2", 2½" & 3"



Dimensions

Size	BSP	NPT	d	dk	E	L	H
	Thd./in	Thd./in					
50mm(2")	11	11.5	65	48	117	130	275
65mm(2½")	11	8	74	63	117	182	393
80mm(3")	11	8	93	74	117	182	393

Specification of Material

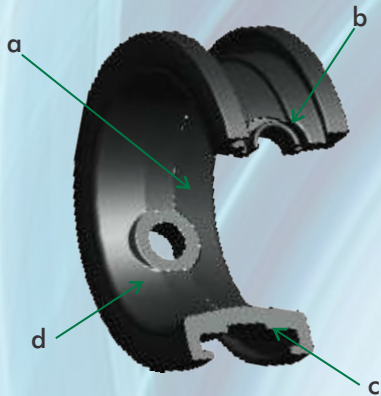
Position	Description	Material	Qty.
1	Body	Reinforced PP	1
2	Flange	Reinforced PA	1
3	Disc	Reinforced PA	1
4	Handle	Reinforced PA	1
5	Cylinder	Reinforced PP	1
6	PC Housing	Polycarbonate	1
7	Shaft	Reinforced PA+MS	1
8	Shaft O-ring	NBR	2
9	Bottom Gasket	NBR	1
10	Sleeve Gasket	NBR	1
11	Handle Screw	MS	1
12	Teflon Seal Big	Teflon	1
13	Teflon Seal Small	Teflon	1
14	Housing Gasket	NBR	2
15	Locking Pin	SS-304	2
16	Dowel Pin(4*30) SS	SS-304	2

Features

- Multi Turn, Liner motion throttle valve
- End connections : Female Threaded type
- Max. Pressure : 6 Bar/ 85 PSI
- Straight through flow with minimal pressure loss.
- Its slow operation pavement water hammer .
- Visual float position indicator to show us % throttle of piping system.
- *Steel Rod inserted in full length during injection moldings of Shaft made of Reinforced Nylon , that gives excellent strength without breakage during rough usage.
- Float, Body profile is matched by CNC matching for smooth operation and keeping the leakage under permissible limit during complete shut off.
- *Dowel pin inserted in the shaft to prevent extra travel of float which do not transfer load on during extra tightening by farmers. This prevents breakage of cap.
- *During assembly of throttle valve, 2 nos. lock pins inserted to avoid any slippage or loosening of threads of throttle valve cap.
- Maintaining seat leakage permissible limit as per standard ANSI/FCI-70-2-2006 in Class III (0.10%) .
- Chemical/Corrosion resistant, Color UV stabilized.

Hybrid Butterfly Valve

2", 2½" & 3"



Technical Specification

- Size: 50mm/ 2"- AQ-81
65mm/ 2½"- AQ-82
80mm/ 3"- AQ-83
- Rating: PN10 (150 Psi)

Features

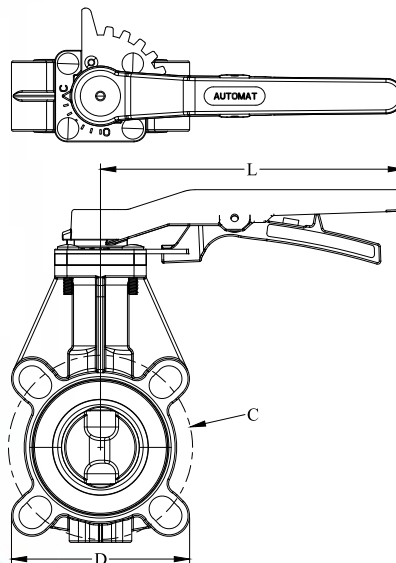
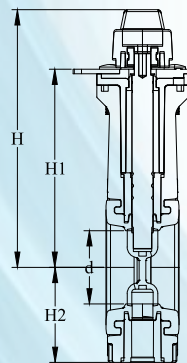
- Light Weight, easy to install.
- One Piece Body made of PVC-U.
- Disc designed ensuring low torque and low pressure loss.
- Suitable for piping in a limited space.
- **Rust Prevention:**- Main parts such as Disc, shaft and small parts such as bolting, washers are made of high graded stainless steel (SS304/316), for rust prevention.
- **Lock Plate** provided with throttling notches every 15° in balancing upto 90° or shut off service. The lever may be padlocked in any one of the notches position.

EPDM Rubber Seal

- Wide disc seating contact for good sealing performance.
- Dual shaft seal bearing for stabilized sealing function.
- Excellent gripping of rubber seal to avoid operating problems such as distortion, deformation and skidding caused by line pressure and friction with metal.
- Gasketless flange sealing contact for easy valve mounting.

Dimensions (mm)

Size	d	D	H1	H2	H	L	C
2"	50	117	130	62.4	156	198.5	120.8
2½"	65	112	134	88	161	198.5	137.5
3"	80	128	140.5	91	182	198.5	155.5



Wafer Type Butterfly Valve

4"



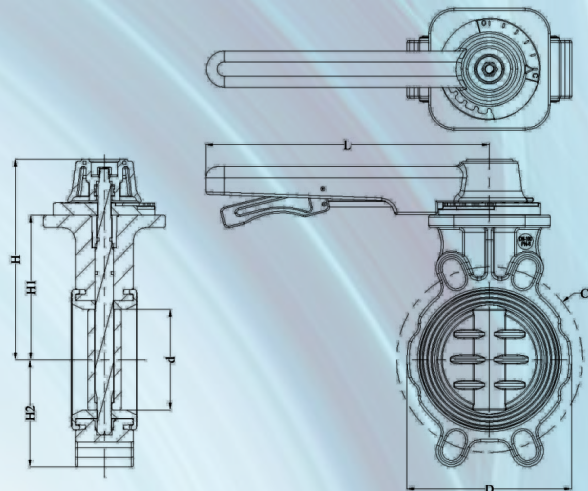
New

Features

- Light Weight, easy to install.
- One Piece Body made of PVC-U.
- Disc designed ensuring low torque and low pressure loss.
- Suitable for piping in a limited space.
- **Rust Prevention**:- All parts such as Disc, body made of high quality PVC for chemical resistance and small parts such as bolting, washers are made of high grade stainless steel (SS 304/316) for rust prevention.
- **Lock Plate** provided with throttling notches every 15° in balancing upto 90° or shut off service. The lever may be padlocked in any one of the notches position.

Dimensions (mm)

d	D	H1	H2	H	L	C
100	162	142	106	197	183	183



Single Union PVC Ball Valve

4"



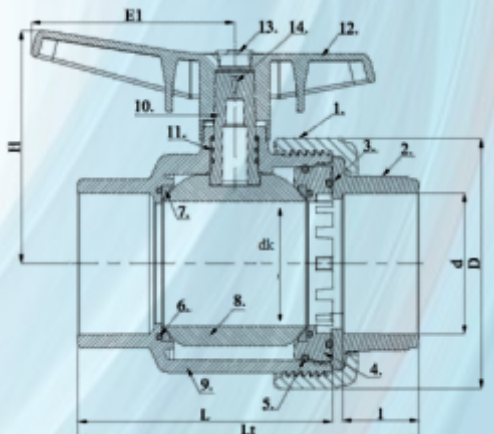
New

Features

- Quarter turn handle operated ball valve.
- End connections : Threaded/Plain Socket
- Max. Working Pressure (PN): 10 Bar
- User friendly design allows smooth operation of handle.
- Handle with ribs for good gripping in operation.
- In-built Spanner wrench on Handle for valve union nut disassemble /assemble.
- Union nut load does not transfer onto ball.
- TPE Seals with O-ring gives cushioning effect that ensures leakage free and low fixed torque.
- Chemical/Corrosion resistant, Color UV stabilized.

Dimensions

Size	BSP	NPT	ASTM	BS	DIN	ISO	dk	D	I	L	Lt	E	H
	Thd./in	Thd./in	d	d	d	d							
100mm (4")	11	08	114.3	114	110	110	98	196.5	60	200	268	160	183



E-mail: contactus@automatworld.com
 Website: www.automatworld.com

Creating a Green World

PVC Wafer Swing Check Valve

3" & 4"



New

Used in-line as a non return valve to stop fluids flowing back through your system.

Technical Specifications

- Type of check valve: Swing Type Check Valve
- Connection: 3" (80mm) & 4" (100mm)
- Max. Operating Pressure: 6.0 kg/cm²
- Min. return pressure: 0.2bar or 3Psi (Minimal downstream pressure to keep the valve closed in horizontal position).
- Horizontal and vertical installation.

Features

- High performance and Cost Effective design.
- Requires little space in the piping system
- PVC-U Material gives excellent chemical and corrosion resistant
- Prevents leakage from flap seal at lower pressure
- Easy installation: Wafer body slips between the standard flanges
- No flange gaskets required.
- Arrow for correct installation of Check valve.
- Light weight.

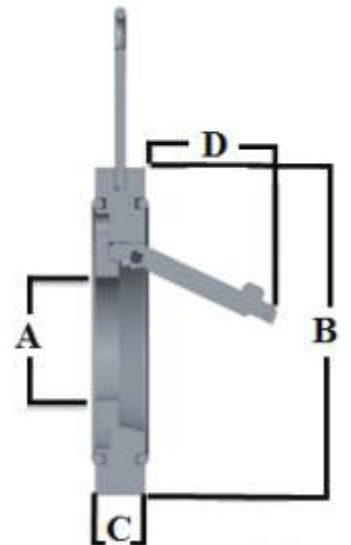


Material

S.No.	Parts Name	Material	Qty
1	Body	PVC-U	1
2	Flap	PVC-U	1
3	Cap	PVC-U	2
4	Body O-ring	EPDM	2
5	Flap O-ring	EPDM	3
6	H Screw	Plated MS	3

Dimensions (mm)

Size	Nom. Dia (D1)	A	B	C	D
3"	80	54.3	129	21	83
4"	100	60	159	21	98



Cast Iron Ball Check Valve

2½", 3", 4", 5" & 6"



New

Technical Specifications

- Type of check valve: Ball type Flanged End Check Valve.
- Flanged End Connection: 2½" (65mm), 3" (80mm), 4" (100mm), 5" (125mm) & 6" (150mm).
- Max. Operating Pressure : 10 kg/cm² (PN 10)
- Min. Cracking pressure: Valve begins to open at 1 to 1.5 PSI.
- Recommended for flow velocity 1.0 to 1.5 m/sec
- Horizontal installation requires 5 meters static head for positive sealing
- Face to Face length: IS 5312 Part - 1: 1984/ DIN 3202 - F6
- Flange dimensions suited for Standard: BS10 (Table D) /BS4504
- Horizontal and vertical installation.

Applications

- For use after pumps and boosters, lateral pivots and for long length irrigation distribution pipelines. it reduces pumping time resulting energy saving.
- Recommended for agriculture irrigation systems as a safety valve to prevent the water hammer and to maintain water column in delivery pipe.
- Used in other applications like fire fighting, sewage plants, power stations, sugar/food, chemical and process industries etc.

Cast Iron Foot Check Valve

2½", 3" & 4"



New

Technical Specifications

- Type of Foot valve: Ball type Female Threaded.
- Threaded Connection: 2½", 3", 4" BSP/NPT Female Threaded.
- Max. Operating Pressure : 10 kg/cm² (PN 10)

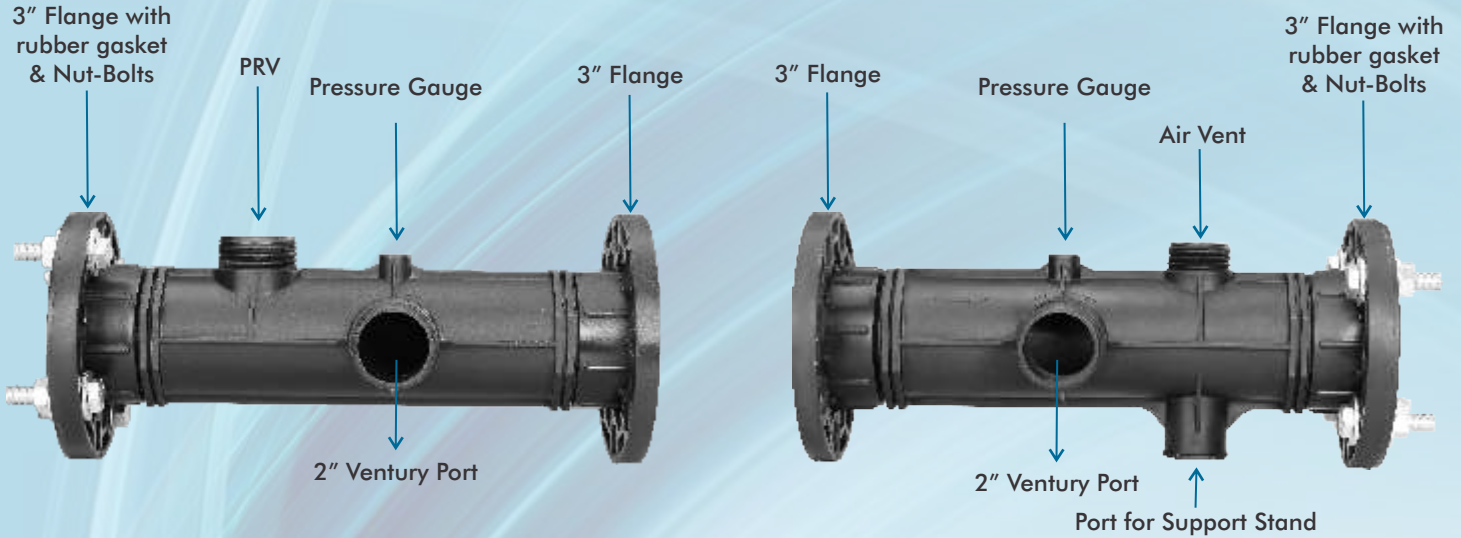
Used on the end of suction line to stop fluids in the line emptying when the pump is turned off, thus eliminating the need to prime the pump during start-up.

Applications

- Foot Valves are usually installed and positioned at the lowest point of the intake (suction) piping, below the water level and often near the bottom of lakes, rivers storage tanks and pits.
- Designed for use in Irrigation and other pumping applications.
- Municipal water treatment.
- Industrial
- Sewage Plant
- Fire fighting
- Food / Chemical

Header (Manifold) Assembly

2", 2 1/2" & 3"



Features

- Both 1" & 1 1/2" threaded connection for air vents in single port.
- Double Pressure gauge ports with brass bushes.
- Support for assembly to maintain sturdiness.
- Made of Glass reinforced engineering plastic which is much stronger than PP.
- UV Stabilized
- Corrosion resistant which is a major problem with metal Head Units.
- Pressure Rating : PN-6

Applications

- Mini Sprinkler System
- Drip Irrigation
- Landscape Irrigation

Assembled View - 2 1/2" & 3"



Irrigation Accessories

Threaded Elbow



Features

- Available in
2" – AQ-174 BSP Male Threaded
2½" – AQ-175 BSP Male Threaded
3" – AQ-176 BSP Male Threaded
- Material : Reinforced Polypropylene
- Color : Black
- Smooth Flow and minimal pressure drop.
- UV Stabilized

Threaded Tee



Features

- Available in
2" – AQ-184 BSP Male Threaded
2½" – AQ-185 BSP Male Threaded
3" – AQ-186 BSP Male Threaded
- Material : Reinforced Polypropylene
- Color : Black
- Smooth Flow and minimal pressure drop.
- UV Stabilized

Pressure Gauge Valve



New

Features

- ¼" BSP/NPT male x Female threaded connection.
- Install valve underneath the pressure gauge.
- Increase the life of pressure gauges.
- Vibration of pressure gauge needle will reduce.
- Pressure rating: 6 bar.
- When needed, just open the valve and check line pressure.

Special Reinforced Nylon/ PVC Flanges



New

Features

- Material: Reinforced Nylon/ PVC
- Threaded Socket: 3" & 4" BSP/ NPT Female threaded/Plain Socket
- Chemical Resistant: Good resistance to strong acids except highly active oxidizers, such as nitric acid.
- It also has excellent resistance to weak and strong alkalis and to most organic solvents.
- Color: Black
- Flange dimensions suited for Standard: BS10 (Table D & E), ANSI Class 125/150, ISO 7001 (DIN), BS EN 1092
- Max. working pressure / 10 Bar

Vacuum Breaker



New

Features

- Designed to protect enclosed tanks from collapse or structural damage during draining.
- Eliminates siphoning of dangerous fluids.
- Prevents vacuum which can cause damage to filters.
- Prevents pipe collapse during transient pressure drop.
- For corrosive or ultra-pure liquid applications.
- Sizes: ½", ¾", 1" Male thread.
- Body & Float Materials : Reinforced Polypropylene.



Air Release cum Vacuum Relief Valves

Plastic Air Release / Vacuum Relief Valve



Specifications

- Durable, weather resistant and non-corrosive reinforced Polypropylene & Polyamide (Nylon)
- Working Pressure Range : AQ-88P: 5-150 PSI
AQ-89P: 5-175 PSI
AQ-90P & 91P: 5-175 PSI

Metal Air Release / Vacuum Relief Valve



Specifications

- Simple Design Ensures Trouble-free Performance
- Cast Aluminium Body Combines the Dual advantage of being Lightweight as well as Provides Corrosion resistance
- Synthetic Rubber Seal Assures Positive Rubber Seal Even with Low Head Applications
- Working Pressure Range: AQ-86, 87, 88, 89 & 90:10-150 PSI
AQ-91 & 92: 10-100 PSI

Continuous Acting Air Release / Vacuum Relief Valve



Specifications

- Manufactured out of durable, weather resistant and non-corrosive reinforced Polyamide (Nylon)
- Minimum Sealing Pressure : 5 psi
- Working Pressure Range : AQ-90CP: 5-175 PSI
- Also available in cast Aluminium Body.
- Cast Aluminium body combines light weight strength and corrosion resistance

Sizes Available

	Aluminium		Plastic	
	Regular (Single Effect)	Continuous (Double Effect)	Regular (Single Effect)	Continuous (Double Effect)
1/2"	AQ - 86	—	—	—
3/4"	AQ - 87	—	AQ - 87P	—
1"	AQ - 88	—	AQ - 88P	—
1 1/2"	AQ - 89	—	AQ - 89P	—
2"	AQ - 90	AQ - 90C	AQ - 90P	AQ - 90CP
3"	AQ - 91	AQ - 91C	AQ - 91P	—
4"	AQ - 92	—	—	—

Irrigation Accessories

Pressure Relief Valves



AQ-102CLM
(Male Threaded)

AQ-102CLF
(Female Threaded)

Features

- Available in :
2" BSP Male threaded connection : AQ-102CLM
2" BSP Female threaded connection : AQ-102CLF
- Aluminum Cover with 1½" BSP/NPT Female threaded drain port
- Cover with orange color powder coating for easy visibility on unit and longer life.
- Pressure Relief Setting 22 psi to 80 psi

Applications

- To be installed on the header unit before the main throttle valve to protect the bursting of main & sub-main lines occurring due to development of excessive pressure / water surges



AQ-102
(Female Threaded)

Features

- Available in
2" BSP/NPT thread connection : AQ-102
- Available with cover also
- Provides pressure surge protection for irrigation system
- Adjustable pressure setting maximizes performance for individual applications
- High strength cast aluminium body, stainless steel shaft offers strength & corrosion resistance
- Oil tempered oil spring provide responsive operation for individual pressure range
- Can be supplied at pre-set pressure or can be adjusted in field also
- Pressure relief setting 22 psi to 120 psi

Turf Products

Quick Coupling Valves



3/4", 1" & 1 1/2" Brass / Bronze QCV



3/4" & 1" Plastic QCV

Features

- One piece solid Brass / Bronze construction for durability.
- Stainless Steel Spring
- Brass Valve
- Drain hole in body to minimize debris collection
- Specially designed grommet
- Auto close lid when not in use
- Cover made of Thermo Plastic Elastometer
- Pressure rating - PN-10

Features

- Click Lock on lid
- Stainless Steel Spring
- Specially designed grommet
- UV Stabilized
- Rugged two piece valve body design
- "Turn & Lock" Key with ribbed grip
- Specially designed for application in public area
- Pressure rating - PN-6

Model No.

Product Name

AQ-70B	3/4" Brass QCV
AQ-70BR	3/4" Bronze QCV*
AQ-70BRL	AQ-70 Rainbird Compatible
AQ-70BK	Opener for AQ-70B
AQ-70BRK	Opener for AQ-70BR/AQ-70BR*
AQ-70SE	3/4" X 3/4" Swivel Elbow
AQ-71B	1" Bronze QCV
AQ-71BR	1" Bronze QCV*
AQ-71BRL	AQ-71BR Rainbird Compatible
AQ-71BK	Opener for AQ-71B
AQ-71BRK	Opener for AQ-71BR/ AQ-71BR*
AQ-71SE	1" X 1" Swivel Elbow
AQ-72B	1 1/2" Bronze QCV*
AQ-72BK	Opener for AQ-72B
AQ-72SE	1 1/2" X 1 1/2" Swivel Elbow
AQ-70SK	Steel Key for Lockable QCV*

Model No.

Product Name

AQ-70P	3/4" Plastic QCV
AQ-70PK	Opener for AQ-70P
AQ-70SEP	3/4" X 3/4" Swivel Elbow
AQ-70PM	3/4" Plastic QCV
AQ-70PMK	Opener for AQ-70PM
AQ-71P	1" Plastic QCV
AQ-71PK	Opener for AQ-71P
AQ-71PM	1" Plastic QCV
AQ-71PMK	Opener for AQ-71PM

*Special Product Subject of minimum Quantity

Irrigation Accessories

Lateral Valve



Barb x Barb

12mm x 12mm
12mm x 16mm
12mm x 20mm



Barb x Barb

16mm x 16mm
16mm x 20mm
20mm x 20mm



1/2" Male Thread x Barb

1/2" Male Thread x 12mm
1/2" Male Thread x 16mm
1/2" Male Thread x 20mm



3/4" Female Thread x Barb

3/4" Female Thread x 12mm
3/4" Female Thread x 16mm
3/4" Female Thread x 20mm



3/4" Male Thread x Barb

3/4" Male Thread x 12mm
3/4" Male Thread x 16mm
3/4" Male Thread x 20mm



Male Thread x Male Thread

1/2" Male Thread x 1/2" Male Thread
3/4" Male Thread x 3/4" Male Thread

Swing Joints



Model No.

Product Name

AQ-ASJ	1/2" Male thread connection
AQ-BSJ	3/4" Male thread connection
AQ-CSJ	1" Male thread connection

Performance Graph

- Full 3 way adjustability including height
- Durable polyethylene construction used for 1/2" & 3/4"
- Hi-Impact PVC material used for construction for 1"
- High quality EPDM O-ring threads used for seals
- Full 360° adjustment
- Heat resistant - operates at 50° C also

Full Flow Drip Compression Fittings

New



Compression Coupler



Compression x MPT Adaptor



Compression Tee



Compression Elbow

Technical Specification

- Made of ABS.
- Pressure Rating- PN6.
- Sizes available: 0.62" or 16mm and 0.70" or 18mm OD drip tubing.

Product	Model No.	Size	Model No.	Size
Coupler	AQ-416CC	0.62" x 0.62"	AQ-418CC	0.7" x 0.7"
Tee	AQ-416CT	0.62" x 0.62" x 0.62"	AQ-418CT	0.7" x 0.7" x 0.7"
Elbow	AQ-416CE	0.62" x 0.62"	AQ-418CE	0.7" x 0.7"
Adopter	AQ-416CMPT	0.62" x 1/2" MPT	AQ-418CMPT	0.7" x 1/2" MPT

Features

- Color Coded gripper for easy identification.
- Faster and easier to install, simply push drip tubing into fittings for tight connection and get unobstructed flow.
- Very tight fit with no tools, gluing or clamps required.
- Superb gripping of PE tubing, no slipping at high pressure and no leakage at low pressure.
- Ultra sonic welded grippers for no leakage and longer life.
- Impact, UV and Chemical Resistant.



E-mail: contactus@automatworld.com
Website: www.automatworld.com

Creating a Green World

Warranty & Disclaimer

Automat products are warranted for one year from date of original sale to be free of defective materials and workmanship when used within the working specifications for which the product was designed and under normal use and service. The manufacturer assumes no responsibility for installation, removal or unauthorized repair. The manufacturer's liability under this warranty is limited solely to replacement or repair of defective parts, and the manufacturer will not be liable for any crop or other consequential damages resulting from any defects in design or breach of warranty.

