

Creating a Green World

AQua

FILTRATION & FERTIGATION | 2015



Index

Product Name		Page No.
AUTOMAT FILTERS (US Standard)		4
AUTOMAT FILTERS (Metric Standard)		5
Y Type Screen Filters	Sizes	
AQ-121Y & AQ-122Y	¾" & 1"	6-7
AQ-123YF & AQ-123Y	1 ½"	8-9
AQ-124YS & AQ-124Y	2"	10-11
T Type Screen Filters		
AQ-124T(HC) & AQ-124T	2" (short body)	12-13
AQ-124TL(HC) & AQ-124TL	2" (Long Body)	14-15
AQ-125T(HC) & AQ-125T	2 ½" (short body)	16-17
AQ-125TL(HC) & AQ-125TL	2 ½" (Long body)	18-19
AQ-126T(HC) & AQ-126T	3" (Short Body)	20-21
AQ-126TL(HC) & AQ-126TL	3" (Long Body)	22-23
T Type Disc Filter		
AQ-134TS(HC) & AQ-134TS	2" (Short Body)	24-25
AQ-134T(HC) & AQ-134T	2" (long body)	26-27
AQ-135T(HC) & AQ-135T	2 ½" (short body)	28-29
AQ-135TL(HC) & AQ-135TL	2 ½" (long body)	30-31
AQ-136TS(HC) & AQ-136TS	3" (short body)	32-33
AQ-136T(HC) & AQ-136T	3" (long body)	34-35
Semi Automatic Screen Filters	2" & 3"	36-37
Hydrocyclone Filters		
AQ-144	2"	38-39
AQ-146	3"	40-41
Venturi Injector		
AQ-112RS & AQ-113RS	¾" & 1"	42-43
AQ-114RS	1 ½"	44-45
AQ-115RS	2"	46-47



Introduction

The evolution of micro Irrigation industry is a continuous journey on the path of low energy and precision application. This has been happening by reducing the aperture of water outlet.

Given the quality of water, the success of this stupendous task would not have been possible without good quality primary and secondary filtration systems.

The filtration equipment developed by us keep in mind the extreme hostile environment that they are subjected to.

The popularity of metal filtration equipment though on the decline is still high and the biggest challenge for us is creating an acceptance for longer lasting plastic filtration equipment in certain markets.

TEAM AUTOMAT

ABBREVIATIONS USED IN THIS CATALOG

- PP – Polypropylene
- PA – Polyamide (Nylon)
- POM – Polyoxymethylene (Polyacetal)
- PVC – Polyvinyl Chloride
- EPDM – Ethylene Propylene Diene Monomer
- NBR – Nitrile Butadiene Rubber
- TPU – Thermoplastic Polyurethane
- SS – Stainless Steel

FILTERING ELEMENT



Inside to Outside
Flow (Screen)



Outside to Inside
Flow (Screen)



Outside to Inside
Flow (Disc)

AUTOMAT FILTERS (US Standard)

Model	SCREEN											DISC				
	121Y/122Y	123YF/123Y	124YS	124Y	124T	124TL	125T	125T-L	126T	126T-L	134T	134TS	135TL	136TS	136T	
Max. Working Pressure	85 PSI	110 PSI	110 PSI	110 PSI	145 PSI	145 PSI	145 PSI	145 PSI	145 PSI	145 PSI	145 PSI	145 PSI	145 PSI	145 PSI	145 PSI	
Max. Recommended flow	20 GPM	65 GPM	85 GPM	110GPM	110 GPM	130 GPM	130 GPM	175 GPM	175 GPM	220 GPM	130 GPM	110 GPM	175 GPM	175 GPM	220 GPM	
Range of Flow Rate	15-25 GPM	50 - 70 GPM	80 - 95 GPM	80-120 GPM	85 - 120 GPM	110 - 155 GPM	120 - 155 GPM	155 - 200 GPM	155 - 200 GPM	200 - 230 GPM	95 - 155 GPM	80 - 120 GPM	155 - 200 GPM	155 - 200 GPM	200-230 GPM	
Filter Screen (Standard)	120 mesh SS (removable cartridge)	120/30 mesh double net SS (removable cartridge)	120/30 mesh double net SS (removable cartridge)	120/30 mesh double net SS (removable cartridge)	120/30 mesh double net SS (removable cartridge)	120/30 mesh double net SS (removable cartridge)	120/30 mesh double net SS (removable cartridge)	120/30 mesh double net SS (removable cartridge)	120/30 mesh double net SS (removable cartridge)	120/30 mesh double net SS (removable cartridge)	120 mesh PP disc (removable cartridge)	120 mesh PP disc (removable cartridge)	120 mesh PP disc (removable cartridge)	120 mesh PP disc (removable cartridge)	120 mesh PP disc (removable cartridge)	
Filtration Surface area	18.6 in ²	46 in ²	46 in ²	76 in ²	76 in ²	129 in ²	76 in ²	129 in ²	129 in ²	172in ²	185 in ²	136 in ²	185 in ²	185 in ²	262 in ²	
Inlet/outlet connection	3/4"/1" NPT male thread	1-1/2" NPT male thread	2" NPT male thread	2" NPT male thread	2" NPT male thread	2.5" NPT male thread	2.5" NPT male thread	3" NPT male thread	3" NPT male thread	3" NPT male thread	2" NPT male thread	2" NPT male thread	2.5" NPT male thread	3" NPT male thread	3" NPT male thread	
Distance Connections between End	6.12 in	9.33 in	9.33 in	11.93 in	13.39 in	13.39 in	13.50 in	13.50 in	13.58 in	13.58 in	13.39 in	13.39 in	13.50 in	13.58 in	13.58 in	
Filter height (End cap + Drain valve)	7.32 in	8.90 in	8.90 in	11.26 in	24.41 in	26.77 in	24.80 in	26.77 in	27.36 in	32.48 in	26.38 in	23.39 in	26.38 in	27.36 in	32.48 in	
Filter width	3.31 in	4.92 in	4.92 in	6.70 in	9.80 in	9.80 in	9.80 in	9.80 in	9.80 in	9.80 in	9.80 in	9.80 in	9.80 in	9.80 in	9.80 in	
Cartridge Diameter	1.90 in	2.72 in	2.72 in	4.29 in	4.29 in	4.65 in	4.29 in	4.65 in	4.65 in	4.65 in	5.16 in	5.16 in	5.16 in	5.16 in	5.16 in	
Cartridge Length	5.90 in	8.74 in	8.74 in	11.25 in	11.25 in	14.90 in	11.25 in	14.90 in	14.90 in	19.75 in	15.75 in	11.80 in	15.75 in	15.75 in	20.67 in	
Drain Valve connection	1/2" female thread	3/4" male thread	3/4" male thread	3/4" male thread	3/4" female thread	3/4" female thread	3/4" female thread	3/4" female thread	3/4" female thread	3/4" female thread	3/4" female thread	3/4" female thread	3/4" female thread	3/4" female thread	3/4" female thread	
Drain Valve Details	End Plug	End Plug	End Plug	End Plug	3/4" M x 3/4" M valve	3/4" M x 3/4" M valve	3/4" M x 3/4" M valve	3/4" M x 3/4" M valve	3/4" M x 3/4" M valve	3/4" M x 3/4" M valve	3/4" M x 3/4" M valve	3/4" M x 3/4" M valve	3/4" M x 3/4" M valve	3/4" M x 3/4" M valve	3/4" M x 3/4" M valve	
Weight (lb)	0.485	1.68	1.72	3.7	8.47	8.2	8.29	9.57	9.79	11.16	12.17	10.8	12.21	12.91	15	

AUTOMAT FILTERS (Metric Standard)

Model	SCREEN											DISC				
	121Y/122Y	123YF/123Y	124YS	124Y	124T	124TL	125T	125T-L	126T	126T-L	134TS	134T	135T	135TL	136TS	136T
Max. Operating Pressure	6 kg/cm2	8 kg/cm2	8 kg/cm2	8 kg/cm2	10 kg/cm2	10 kg/cm2	10 kg/cm2	10 kg/cm2	10 kg/cm2	10 kg/cm2	10 kg/cm2	10 kg/cm2	10 kg/cm2	10 kg/cm2	10 kg/cm2	10 kg/cm2
Max. Recommended flow	83 lit/m (5 m3/h)	250 lit/m (15 m3/h)	333 lit/m (20 m3/h)	417 lit/m (25 m3/h)	417 lit/m (25 m3/h)	500 lit/m (30 m3/h)	500 lit/m (30 m3/h)	667 lit/m (40 m3/h)	667 lit/m (40 m3/h)	833 lit/m (50 m3/h)	417 lit/m (25 m3/h)	500 lit/m (30 m3/h)	500 lit/m (30 m3/h)	667 lit/m (40 m3/h)	667 lit/m (40 m3/h)	833 lit/m (50 m3/h)
Range of Flow Rate	4 – 6 m3/h	12 – 16 m3/h	18 – 22 m3/h	18 – 27 m3/h	20 – 27 m3/h	25 – 35 m3/h	27 – 35 m3/h	35 – 45 m3/h	35 – 45 m3/h	45 – 52 m3/h	18 – 27 m3/h	22 – 35 m3/h	25-35 m3/h	35 – 45 m3/h	35 – 45 m3/h	45 – 52 m3/h
Filter Screen (Standard)	120 mesh SS (removable cartridge)	120/30 mesh double net SS (removable cartridge)	120/30 mesh double net SS (removable cartridge)	120/30 mesh double net SS (removable cartridge)	120/30 mesh double net SS (removable cartridge)	120/30 mesh double net SS (removable cartridge)	120/30 mesh double net SS (removable cartridge)	120/30 mesh double net SS (removable cartridge)	120/30 mesh double net SS (removable cartridge)	120/30 mesh double net SS (removable cartridge)	120 mesh PP disc (removable cartridge)	120 mesh PP disc (removable cartridge)	120 mesh PP disc (removable cartridge)	120 mesh PP disc (removable cartridge)	120 mesh PP disc (removable cartridge)	120 mesh PP disc (removable cartridge)
Filtration Surface area	120 cm2	295 cm2	295 cm2	492 cm2	492 cm2	831 cm2	831 cm2	831 cm2	831 cm2	1108 cm2	878 cm2	878 cm2	878 cm2	1193 cm2	1193 cm2	1690 cm2
Inlet/outlet connection	3/4"/1" BSPT male thread	1-1/2" BSPT/ NPT male thread	2" BSPT/ NPT male thread	2" BSPT/ NPT male thread	2" BSPT/ NPT male thread	2" BSPT/ NPT male thread	2.5" BSP/ NPT male thread	3" BSP/NPT male thread	3" BSP/NPT male thread	3" BSP/NPT male thread	2" BSP/NPT male thread	2.5" BSP/ NPT male thread	2.5" BSP/ NPT male thread	3" BSP/NPT male thread	3" BSP/NPT male thread	3" BSP/NPT male thread
Distance between End Connections	155.5 mm	237 mm	237 mm	303 mm	340 mm	340 mm	343 mm	345 mm	345 mm	345 mm	340 mm	343 mm	343 mm	345 mm	345 mm	345 mm
Filter height (End cap + Drain valve)	186 mm	226 mm	226 mm	286 mm	620 mm	680 mm	630 mm	680 mm	695 mm	825 mm	670 mm	594 mm	670 mm	695 mm	825 mm	825 mm
Filter width	84 mm	125 mm	125 mm	170 mm	249 mm	249 mm	249 mm	249 mm	249 mm	249 mm	249 mm	249 mm	249 mm	249 mm	249 mm	249 mm
Cartridge Diameter	48 mm	69 mm	69 mm	109 mm	109 mm	118 mm	109 mm	118 mm	118 mm	118 mm	131 mm	131 mm	131 mm	131 mm	131 mm	131 mm
Cartridge Length	150 mm	222 mm	222 mm	286 mm	286 mm	378.5 mm	286 mm	378.5 mm	378.5 mm	502 mm	400 mm	300 mm	400 mm	400 mm	400 mm	525 mm
Drain Valve Connection	1/2" female thread	3/4" male thread	3/4" male thread	3/4" male thread	3/4" male thread	3/4" female thread	3/4" female thread	3/4" female thread	3/4" female thread	3/4" female thread	3/4" female thread	3/4" female thread	3/4" female thread	3/4" female thread	3/4" female thread	3/4" female thread
Drain Valve Details	End Plug	End Plug	End Plug	End Plug	3/4" M x 3/4" M valve	3/4" M x 3/4" M valve	3/4" M x 3/4" M valve	3/4" M x 3/4" M valve	3/4" M x 3/4" M valve	3/4" M x 3/4" M valve	3/4" M x 3/4" M valve	3/4" M x 3/4" M valve	3/4" M x 3/4" M valve	3/4" M x 3/4" M valve	3/4" M x 3/4" M valve	3/4" M x 3/4" M valve
Weight (kg)	0.22	0.76	0.78	1.68	3.72	3.72	3.76	4.34	4.44	5.06	4.9	5.52	4.9	5.86	5.86	6.8

Y Type Screen Filters

AQ-121Y






AQ-122Y



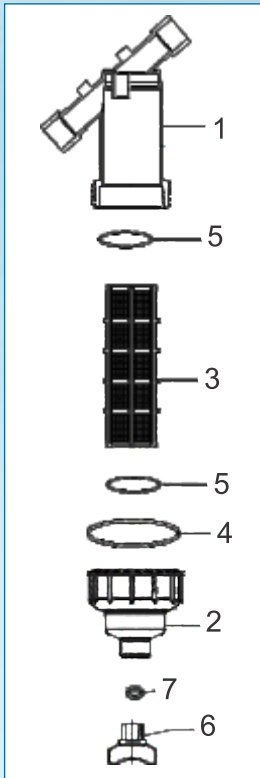
Specifications	AQ-121Y		AQ-122Y	
	US Standard	Metric Standard	US Standard	Metric Standard
Inlet / outlet	3/4" NPT	3/4" BSP	1" NPT	1" BSP
Maximum Operating Pressure	85 PSI	6 Kg/cm ²	85 PSI	6 Kg/cm ²
Range of Flow Rate	15-25 GPM	4-6 m ³ /hr	15-25 GPM	4-6 m ³ /hr
Nominal Flow Rate	20 GPM	5m ³ /hr	20 GPM	5m ³ /hr
Filtration Surface Area	18.6 in ²	120cm ²	18.6 in ²	120cm ²
Material of Construction	Polypropylene		Polypropylene	
Filtering Cartridge	304/316 Grade Stainless Steel Screen		304/316 Grade Stainless Steel Screen	
Cartridge Diameter	1.9 Inches	48mm	1.9 Inches	48mm
Cartridge Length	5.9 Inches	150mm	5.9 Inches	150mm
Available Mesh	80, 120, 150	80, 120, 150	80, 120, 150	80, 120, 150

Filtering Element

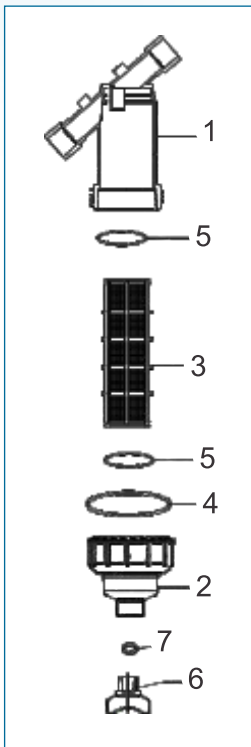
- 80 Mesh 
- 120 Mesh 
- 150 Mesh 

Flow Loss						Flow Loss					
Flow m ³ /hr	2	3	4	5	6	Flow m ³ /hr	2	3	4	5	6
Pressure Loss kg/cm ²	0.06	0.11	0.2	0.3	0.43	Pressure Loss kg/cm ²	0.06	0.11	0.2	0.3	0.43
Flow GPM	10	15	17	20	25	Flow GPM	10	15	17	20	25
Pressure Loss PSI	0.93	1.69	2.73	4.10	5.92	Pressure Loss PSI	0.93	1.69	2.73	4.10	5.92

Y Type Screen Filters



3/4" Screen Filter (Model 121 Y -4-6 m ³ /hr)				
AIPL CODE	DESCRIPTION	INLET/OUTLET	CONNECTION SIZE	MICRON /MESH
14310001	3/4" Screen Filter Y Type 120 Mesh	Male Thread NPT	3/4"	130/120
14040001	3/4" Screen Filter Y Type 120 Mesh	Male Thread BSP	3/4"	130/120
SPARE PARTS				
S. NO	PARTS NAME	PART CODE	MATERIAL	QTY
1	Body (BSP Thread)	12490042	PP	1
	Body (NPT Thread)	12490044		
2	Cap	12490046	PP	1
3	Screen Cartridge (80 Mesh) Black	14120023	Glass reinforced PP	1
	Screen Cartridge (120 Mesh) Blue	14120001		
	Screen Cartridge (150 Mesh) Red	14120012		
4	Cap O-Ring	50010044	NBR	1
5	Cartridge O-Ring	50010045/50010081	NBR	2
6	End Plug	12490051	Glass reinforced PP	1
7	End Plug Washer	50020001	NBR	1



1" Screen Filter (Model 122 Y -4-6 m ³ /hr)				
AIPL CODE	DESCRIPTION	INLET/OUTLET	CONNECTION SIZE	MICRON /MESH
14310002	1" Screen Filter Y Type 120 Mesh	Male Thread NPT	1"	130/120
14040002	1" Screen Filter Y Type 120 Mesh	Male Thread BSP	1"	130/120
SPARE PARTS				
S. NO	PARTS NAME	PART CODE	MATERIAL	QTY
1	Body (BSP Thread)	12490043	PP	1
	Body (NPT Thread)	12490045		
2	Cap	12490046	PP	1
3	Screen cartridge (80 mesh) Black	14120023	Glass reinforced PP	1
	Screen Cartridge (120 Mesh) Blue	14120001		
	Screen Cartridge (150 Mesh) Red	14120012		
4	Cap O-Ring	50010044	NBR	1
5	Cartridge O-Ring	50010045/50010081	NBR	2
6	End Plug	12490051	Glass reinforced PP	1
7	End Plug Washer	50020001	NBR	1

Y Type Screen Filters

AQ-123YF



AQ-123Y



Specifications	AQ-123YF		AQ-123Y	
	US Standard	Metric Standard	US Standard	Metric Standard
Inlet / outlet	1 1/4" NPT Female	1 1/4" BSP Female	1 1/2" NPT	1 1/2" BSP
Maximum Operating Pressure	110 PSI	8 Kg/cm ²	110 PSI	8 Kg/cm ²
Range of Flow Rate	50-70 GPM	12-16 m ³ /hr	50-70 GPM	12-16 m ³ /hr
Nominal Flow Rate	65 GPM	15m ³ /hr	65 GPM	15m ³ /hr
Filtration Surface Area	46 in ²	295cm ²	46 in ²	295cm ²
Material of Construction	Polypropylene Glass Reinforced		Polypropylene Glass Reinforced	
Filtering Cartridge	304/316 Grade Stainless Steel Screen		304/316 Grade Stainless Steel Screen	
Cartridge Diameter	2.7 Inches	69mm	2.7 Inches	69mm
Cartridge Length	8.7 Inches	222mm	8.7 Inches	222mm
Available Mesh	80, 120, 150	80, 120, 150	80, 120, 150	80, 120, 150

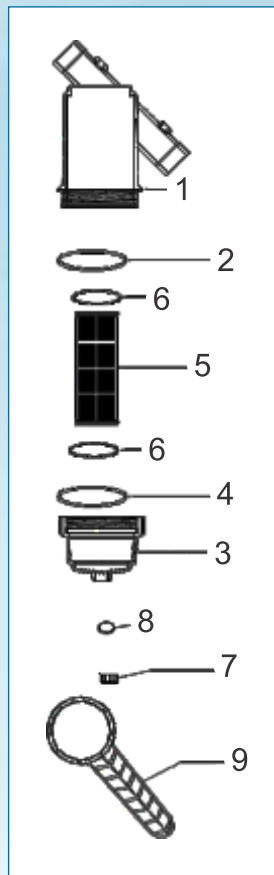
Filtering Element



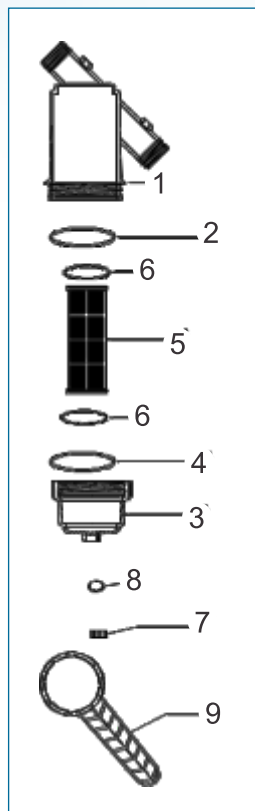
	Flow Loss				
Flow m ³ /hr	9.6	12	15	16	19.2
Pressure Loss kg/cm ²	0.06	0.10	0.12	0.15	0.20
Flow GPM	42.0	50.0	65.0	70.0	85.0
Pressure Loss PSI	0.85	1.32	1.65	2	2.832

	Flow Loss				
Flow m ³ /hr	9.6	12	15	16	19.2
Pressure Loss kg/cm ²	0.11	0.15	0.2	0.22	0.28
Flow GPM	42.0	50.0	65.0	70.0	85.0
Pressure Loss PSI	1.52	1.92	2.71	3.10	4.06

Y Type Screen Filters



1 1/4" FEMALE TYPE Screen Filter (Model 123 YF - 15 m ³ /hr)				
AIPL CODE	DESCRIPTION	INLET/OUTLET	CONNECTION SIZE	MICRON /MESH
14140006	1 1/4" Screen Filter Y - Type 120 Mesh	Female Thread NPT	1 1/4"	130/120
14140007	1 1/4" Screen Filter Y - Type 120 Mesh	Female Thread BSP	1 1/4"	130/120
SPARE PARTS				
S. NO	PARTS NAME	PART CODE	MATERIAL	QTY
1	Body (BSP Thread) Without Hole	12490059	Glass reinforced PP	1
	Body (NPT Thread) Without Hole	12490060		
2	Body o-ring	50010050	NBR	1
3	Cap	12490063	Glass reinforced PP	1
4	Cap Gasket	50030025	NBR	1
5	Screen Cartridge (80 Mesh) Black	12490066	Glass reinforced PP	1
	Screen Cartridge (120 Mesh) Blue	12490064		
	Screen Cartridge (150 Mesh) Red	12490065		
6	Cartridge O-Ring	50010082	NBR	1
7	3/4" End Cap	12490057	PA	1
8	End Cap Washer	50020003	NBR	1
9	Spanner (Key)	12490114	Glass reinforced PP	1



1 1/2" Screen Filter (Model 123 Y - 15 m ³ /hr)				
AIPL CODE	DESCRIPTION	INLET/OUTLET	CONNECTION SIZE	MICRON /MESH
14310003	1 1/2" Screen Filter Y - Type 120 Mesh	Male Thread NPT	1 1/2"	130/120
14040003	1 1/2" Screen Filter Y - Type 120 Mesh	Male Thread BSP	1 1/2"	130/120
SPARE PARTS				
S. NO	PARTS NAME	PART CODE	MATERIAL	QTY
1	Body (BSP Thread) Without Hole	12490059	Glass reinforced PP	1
	Body (NPT Thread) without Hole	12490060		
2	Body O-Ring	50010050	NBR	1
3	Cap	12490063	Glass reinforced PP	1
4	Cap Gasket	50030025	NBR	1
5	Screen Cartridge (80 Mesh) Black	12490066	Glass reinforced PP	1
	Screen Cartridge (120 Mesh) Blue	12490064		
	Screen Cartridge (150 Mesh) Red	12490065		
6	Cartridge O-Ring	50010082	NBR	1
7	3/4" End Cap	12490057	PA	1
8	End Cap Washer	50020003	NBR	1
9	Spanner (Key)	12490114	Glass reinforced PP	1

Y Type Screen Filters

AQ-124YS



AQ-124Y



Specifications	AQ-124YS		AQ-124Y	
	US Standard	Metric Standard	US Standard	Metric Standard
Inlet / outlet	2" NPT	2" BSP	2" NPT	2" BSP
Maximum Operating Pressure	110 PSI	8 Kg/cm ²	110 PSI	8 Kg/cm ²
Range of Flow Rate	80-95 GPM	18-22 m ³ /hr	80-120 GPM	18-27 m ³ /hr
Nominal Flow Rate	85 GPM	20m ³ /hr	110 GPM	25m ³ /hr
Filtration Surface Area	46 in ²	295cm ²	76 in ²	492cm ²
Material of Construction	Polypropylene Glass Reinforced		Polypropylene Glass Reinforced	
Filtering Cartridge	304/316 Grade Stainless Steel Screen		304/316 Grade Stainless Steel Screen	
Cartridge Diameter	2.7 Inches	69mm	4.3 Inches	109mm
Cartridge Length	8.7 Inches	222mm	11.3Inches	286mm
Available Mesh	80, 120, 150	80, 120, 150	80, 120, 150	80, 120, 150

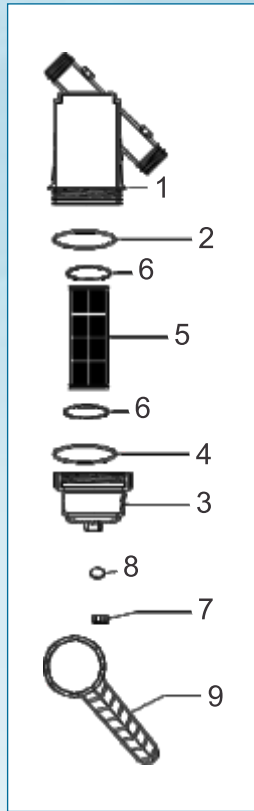
Filtering Element

- 80 Mesh
- 120 Mesh
- 150 Mesh

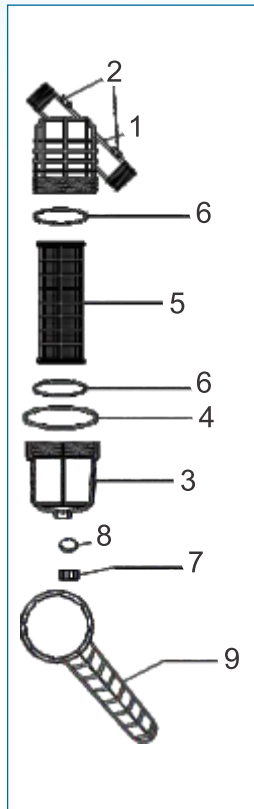
	Flow Loss				
Flow m ³ /hr	14.4	18	20	22	26.4
Pressure Loss kg/cm ²	0.17	0.25	0.3	0.34	0.43
Flow GPM	63.0	75.0	85.0	95.0	116.0
Pressure Loss PSI	2.36	3.25	3.93	4.68	6.05

	Flow Loss					
Flow m ³ /hr	12	15	18	25	27	32.4
Pressure Loss kg/cm ²	0.03	0.07	0.1	0.2	0.24	0.34
Flow GPM	53.0	66.0	80.0	110.0	120.0	142.0
Pressure Loss PSI	0.43	0.99	1.47	2.84	3.29	4.73

Y Type Screen Filters



2" Screen Filter (Model 124 YS - 20 m ³ /hr)				
AIPL CODE	DESCRIPTION	INLET/OUTLET	CONNECTION SIZE	MICRON /MESH
14310004	2" Screen Filter Y - Type 120 Mesh	Male Thread NPT	2"	130/120
14040005	2" Screen Filter Y - Type 120 Mesh	Male Thread BSP	2"	130/120
SPARE PARTS				
S. NO	PARTS NAME	PART CODE	MATERIAL	QTY
1	Body (BSP Thread) Without Hole	12490061	Glass reinforced PP	1
	Body (NPT Thread) Without Hole	12490062		
2	Body O-Ring	50010050	NBR	1
3	Cap	12490063	Glass reinforced PP	1
4	Cap Gasket	50030025	NBR	1
5	Screen Cartridge (80 Mesh) Black	12490066	Glass reinforced PP	1
	Screen Cartridge (120 Mesh) Blue	12490064		
	Screen Cartridge (150 Mesh) Red	12490065		
6	Cartridge O-Ring	50010082	NBR	1
7	3/4" End Cap	12490057	PA	1
8	End Cap Washer	50020003	NBR	1
9	Spanner (Key)	12490114	Glass reinforced PP	1



2" Screen Filter (Model 124 Y - 25 m ³ /hr)				
AIPL CODE	DESCRIPTION	INLET/OUTLET	CONNECTION SIZE	MICRON /MESH
14310005	2" Screen Filter Y Type 120 Mesh	Male Thread NPT	2"	130/120
14040004	2" Screen Filter Y Type 120 Mesh	Male Thread BSP	2"	130/120
SPARE PARTS				
S. NO	PARTS NAME	PART CODE	MATERIAL	QTY
1	Body (BSP Thead) Without Hole	12490052	Glass reinforced PP	1
	Body (NPT Thead) Without Hole	12490053		
2	Body O-ring	50100033	Brass	2
3	Cap	12490055	Glass reinforced PP	1
4	Cap Gasket	50030008	NBR	1
5	Screen Cartridge (80 Mesh) Black	12490031	Glass reinforced PP	1
	Screen Cartridge (120 Mesh) Blue	12490029		
	Screen Cartridge (150 Mesh) Red	12490032		
6	Cartridge O-Ring	50010086	NBR	2
7	3/4" End Cap	12490057	PA	1
8	End Cap Washer	50020003	NBR	1
9	Spanner (Key)	50100014	Glass reinforced PP	1

T Type Screen Filters

AQ-124T(HC)



Max. Operating Pressure	8 Kg/cm ²
Clamp Material	Nylon Reinforced
Vacuum Breaker	For upside up installation
Drain port location	Front of the filter Body
Flow passes through outside to inside screen filter mesh.	

AQ-124T



Max. Operating Pressure	10 Kg/cm ²
Clamp Material	Stainless Steel
Vacuum Breaker	Not fit with this design
Drain port location	Below the Filter barrel
Flow passes through inside to outside screen filter mesh.	

Specifications	AQ-124T(HC) & AQ-124T	
	US Standard	Metric Standard
Inlet / outlet	2" NPT	2" BSP
Range of Flow Rate	85-120 GPM	20-27 m ³ /hr
Nominal Flow Rate	110 GPM	25m ³ /hr
Filtration Surface Area	76 in ²	492cm ²
Material of Construction	Polypropylene Glass Reinforced	
Filtering Cartridge	316 Grade Stainless Steel Screen	
Cartridge Diameter	4.3 Inches	109mm
Cartridge Length	11.3 Inches	286mm
Available Mesh	80, 120, 150	80, 120, 150

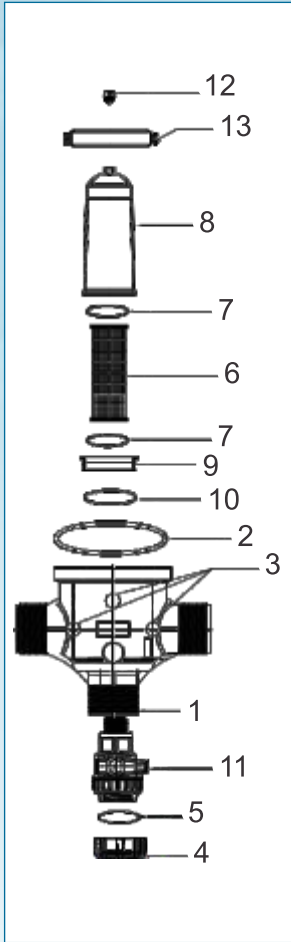
Filtering Element

- 80 Mesh
- 120 Mesh
- 150 Mesh

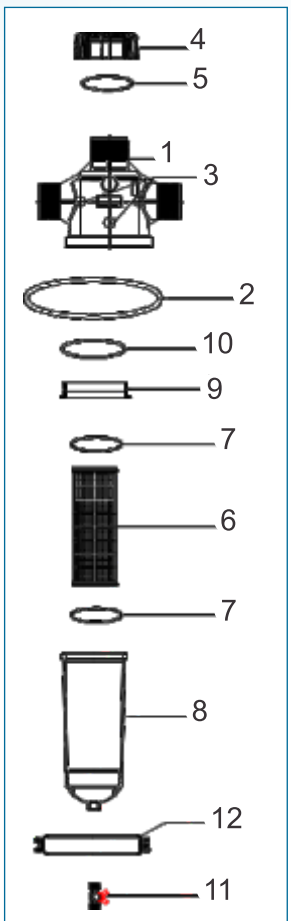
Flow Loss : AQ-124T(HC)						
Flow m ³ /hr	16	20	25	27	32.4	
Pressure Loss kg/cm ²	0.03	0.08	0.15	0.17	0.20	
Flow GPM	70.0	85.0	110.0	120.0	142.0	
Pressure Loss PSI	0.43	0.97	2.13	2.48	2.84	

Flow Loss : AQ-124T						
Flow m ³ /hr	16	20	25	27	32.4	
Pressure Loss kg/cm ²	0.03	0.08	0.18	0.21	0.27	
Flow GPM	70.0	85.0	110.0	120.0	142.0	
Pressure Loss PSI	0.28	0.97	2.56	3.11	3.72	

T Type Screen Filters



2" Screen Filter (Model 124 T(HC) - 25 m ³ /hr)				
AIPL CODE	DESCRIPTION	INLET/OUTLET	CONNECTION SIZE	MICRON /MESH
14320019	2" Screen Filter T Type (with Hybrid Clamp)120mesh	Male Thread NPT	2"	130/120
14050080	2" Screen Filter T Type (with Hybrid Clamp)120mesh	Male Thread BSP	2"	130/120
14460001	2" Screen Filter T Type (with Hybrid Clamp)120mesh	Victaulic Connection	2"	130/120
SPARE PARTS				
S. NO	PARTS NAME	PART CODE	MATERIAL	QTY
1	Body (BSP Thread)	12490023	Glass reinforced PP	1
	Body (NPT Thread)	12490101		
	Body (Victaulic Connection)	12490104		
2	Gasket	50030031	NBR	1
3	Brass Bush	50100033	Brass	3
4	End Cap (BSP Thread)	12490027	Glass reinforced PP	1
	End Cap (NPT Thread)	12490028		
5	End cap O-Ring	50010043	NBR	1
6	SS-316 Screen Cartridge Single Mesh 80 - Black	12490171	Glass reinforced PP	1
	SS-316 Screen Cartridge Single Mesh120 - Blue	12490183		
	SS-316 Screen Cartridge Single Mesh150 - Red	12490184		
7	Cartridge O-Ring	50010040	NBR	2
8	Barrel	12490008	Glass reinforced PP	1
9	Adopter	12490019	Glass reinforced PP	1
10	Adopter O-Ring	50010087	NBR	1
11	3/4"x3/4" Fxm Ball Valve	19070001	PP	1
12	3/4" Vacuum Breaker	25100051	Glass reinforced PP	1
13	Hybrid Clamp Assly (ss Long Handle)	14050038	Glass reinforced PA	1



2" Screen Filter (Model 124 T - 25 m ³ /hr)				
AIPL CODE	DESCRIPTION	INLET/OUTLET	CONNECTION SIZE	MICRON /MESH
14310007	2" Screen Filter T-Type (With SS Clamp) 120 Mesh	Male Thread NPT	2"	130/120
14100002	2" Screen Filter T-Type (With SS Clamp) 120 Mesh	Male Thread BSP	2"	130/120
14450001	2" Screen Filter T-Type (With SS Clamp) 120 Mesh	Victaulic Connection	2"	130/120
SPARE PARTS				
S. NO	PARTS NAME	PART CODE	MATERIAL	QTY
1	Body (BSP Thread)	12490023	Glass reinforced PP	1
	Body (NPT Thread)	12490101		
	Body (Victaulic Connection)	12490104		
2	Gasket	50030031	NBR	1
3	Brass Bush	50100033	Brass	3
4	End Cap (BSP Thread)	12490027	Glass reinforced PP	1
	End Cap (NPT Thread)	12490028		
5	End cap O-Ring	50010043	NBR	1
6	SS-316 Screen Cartridge Double Mesh 30/80 - Black	12490029	Glass reinforced PP	1
	SS-316 Screen Cartridge Double Mesh 30/120 - Blue	12490031		
	SS-316 Screen Cartridge Double Mesh 30/150 - Red	12490032		
7	Cartridge O-Ring	50010040	NBR	2
8	Barrel	12490008	Glass reinforced PP	1
9	Adopter	12490019	Glass reinforced PP	1
10	Adopter O-Ring	50010087	NBR	1
11	3/4"x3/4" Mxm Mini Value (Red Knob)	19030017	POM	1
12	SS Clamp (Long Handle)	14010060	SS 304	1

T Type Screen Filters

AQ-124TL(HC)



AQ-124TL



Max. Operating Pressure	8 Kg/cm ²
Clamp Material	Nylon Reinforced
Vacuum Breaker	For upside up installation
Drain port location	Front of the filter Body
Flow passes through outside to inside screen filter mesh.	

Max. Operating Pressure	10 Kg/cm ²
Clamp Material	Stainless Steel
Vacuum Breaker	Not fit with this design
Drain port location	Below the Filter barrel
Flow passes through inside to outside screen filter mesh.	

Specifications	AQ-124TL(HC) & AQ-124TL	
	US Standard	Metric Standard
Inlet / outlet	2" NPT	2" BSP
Range of Flow Rate	110-155 GPM	25-35 M ³ /HR
Nominal Flow Rate	130 GPM	30 M ³ /HR
Filtration Surface Area	129 cm ²	831 cm ²
Material of Construction	Polypropylene Glass Reinforced	
Filtering Cartridge	316 Grade Stainless Steel Screen	
Cartridge Diameter	4.65in	118mm
Cartridge Length	14.9m	378.5mm
Available Mesh	80, 120, 150 mesh	80, 120, 150 mesh

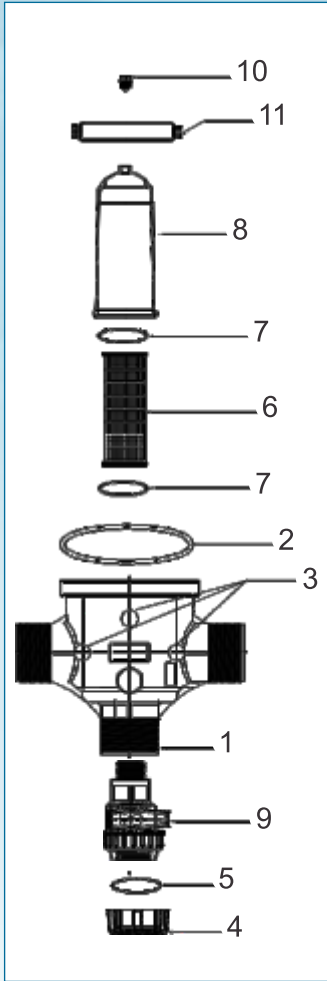
Filtering Element



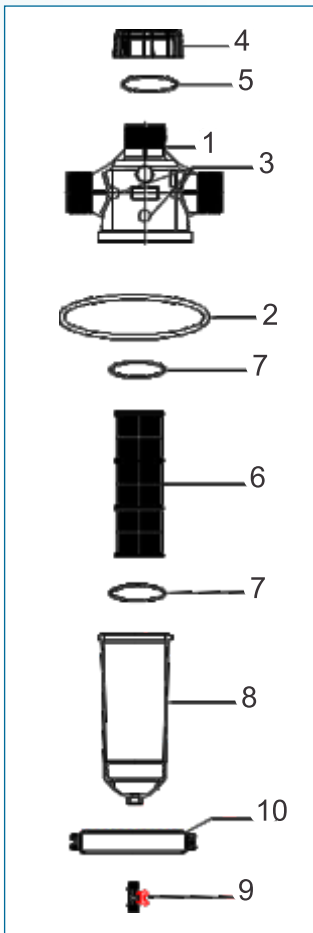
Flow Loss : AQ-124TL(HC)						
Flow m ³ /hr	20	25	30	35	40	45
Pressure Loss kg/cm ²	0.07	0.13	0.16	0.20	0.30	0.35
Flow GPM	85.0	110.0	132.0	155.0	175.0	200.0
Pressure Loss PSI	0.78	1.85	2.28	2.84	4.21	5.12

Flow Loss : AQ-124TL						
Flow m ³ /hr	20	25	30	35	40	45
Pressure Loss kg/cm ²	0.10	0.15	0.20	0.26	0.35	0.42
Flow GPM	85.0	110.0	132.0	155.0	175.0	200.0
Pressure Loss PSI	1.18	2.13	2.84	3.57	4.88	6.12

T Type Screen Filters



2" Screen Filter (Model 124 TL(HC) - 30 m³/hr)				
AIPL CODE	DESCRIPTION	INLET/OUTLET	CONNECTION SIZE	MICRON /MESH
14320020	2" Screen Filter T-Type (With Hybrid Clamp) 120 Mesh	Male Thread NPT	2"	130/120
14050081	2" Screen Filter T-Type (With Hybrid Clamp) 120 Mesh	Male Thread BSP	2"	130/120
14460002	2" Screen Filter T-Type (With Hybrid Clamp) 120 Mesh	Victaulic Connection	2"	130/120
SPARE PARTS				
S. NO	PARTS NAME	PART CODE	MATERIAL	QTY
1	Body (BSP Thread)	12490023	Glass reinforced PP	1
	Body (NPT Thread)	12490101		
	Body (Victaulic Connection)	12490104		
2	Gasket	50030031	NBR	1
3	Brass Bush	50100033	Brass	3
4	End Cap (BSP Thread)	12490027	Glass reinforced PP	1
	End Cap (NPT Thread)	12490028		
5	End Cap O-Ring	50010039	NBR	1
6	SS-316 Screen Cartridge Single Mesh 80 - Black	12490172	Glass reinforced PP	1
	SS-316 Screen Cartridge Single Mesh 120 - Blue	12490174		
	SS-316 Screen Cartridge Single Mesh 150 - Red	12490175		
7	Cartridge O-Ring	50010040	NBR	2
8	Barrel	12490116	Glass reinforced PP	1
9	3/4"x3/4" FXM Ball Valve	19070001	PP	1
10	3/4" Vacuum Breaker	25100051	Glass reinforced PP	1
11	Hybrid Clamp (SS Long Handle)	14050038	Glass reinforced PA	1



2" Screen Filter (Model 124 TL - 30 m³/hr)				
AIPL CODE	DESCRIPTION	INLET/OUTLET	CONNECTION SIZE	MICRON /MESH
14330022	2" Screen Filter T-Type (With SS Clamp) 120 Mesh	Male Thread NPT	2"	130/120
14100039	2" Screen Filter T-Type (With SS Clamp) 120 Mesh	Male Thread BSP	2"	130/120
14450002	2" Screen Filter T-Type (With SS Clamp) 120 Mesh	Victaulic Connection	2"	130/120
SPARE PARTS				
S. NO	PARTS NAME	PART CODE	MATERIAL	QTY
1	Plain body (BSP Thread)	12490023	Glass reinforced PP	1
	Plain body (NPT Thread)	12490101		
	Plain body (Victaulic Connection)	12490104		
2	Gasket	50030031	NBR	1
3	Brass Bush	50100033	Brass	3
4	End Cap (BSP Thread)	12490027	Glass reinforced PP	1
	End Cap (NPT Thread)	12490028		
5	End cap O-Ring	50010039	NBR	1
6	SS-316 Screen Cartridge Double Mesh 30/80 - Black	12490073	Glass reinforced PP	1
	SS-316 Screen Cartridge Double Mesh 30/120 - Blue	12490071		
	SS-316 Screen Cartridge Double Mesh 30/150 - Red	12490074		
7	Cartridge O-Ring	50010040	NBR	2
8	Barrel	12490116	Glass reinforced PP	1
9	3/4"x3/4" MXM Mini Valve (Red Knob)	19030017	POM	1
10	SS Clamp (Long Handle)	14010060	SS 304	1

T Type Screen Filters

AQ-125T(HC)



Max. Operating Pressure	8 Kg/cm ²
Clamp Material	Nylon Reinforced
Vacuum Breaker	For upside up installation
Drain port location	Front of the filter Body
Flow passes through outside to inside screen filter mesh.	

AQ-125T



Max. Operating Pressure	10 Kg/cm ²
Clamp Material	Stainless Steel
Vacuum Breaker	Not fit with this design
Drain port location	Below the Filter barrel
Flow passes through inside to outside screen filter mesh.	

Specifications	AQ-125T (HC) & AQ-125T	
	US Standard	Metric Standard
Inlet / outlet	2 1/2" NPT	2 1/2" BSP
Range of Flow Rate	120-155 GPM	27-35 m ³ /hr
Nominal Flow Rate	130 GPM	30m ³ /hr
Filtration Surface Area	76 in ²	492cm ²
Material of Construction	Polypropylene Glass Reinforced	
Filtering Cartridge	316 Grade Stainless Steel Screen	
Cartridge Diameter	4.3 Inches	109mm
Cartridge Length	11.3 Inches	286mm
Available Mesh	80, 120, 150	80, 120, 150

Filtering Element

- 80 Mesh
- 120 Mesh
- 150 Mesh

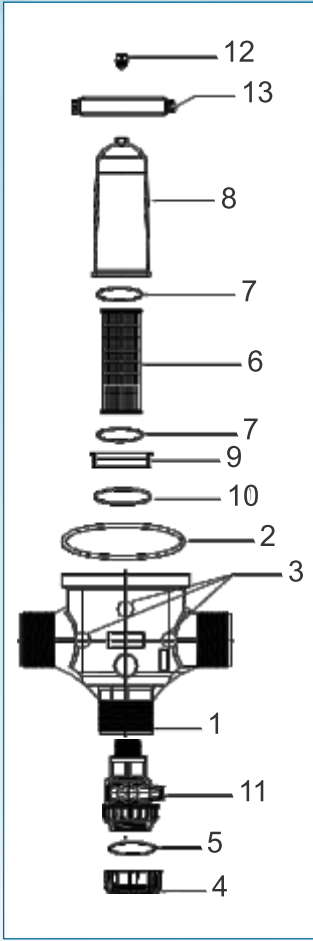
Flow Loss : AQ-125T(HC)

Flow m ³ /hr	21.6	27	30	35	42
Pressure Loss kg/cm ²	0.06	0.10	0.15	0.20	0.28
Flow GPM	95.0	115.0	132.0	155.0	185.0
Pressure Loss PSI	0.85	1.22	2.13	2.94	3.98

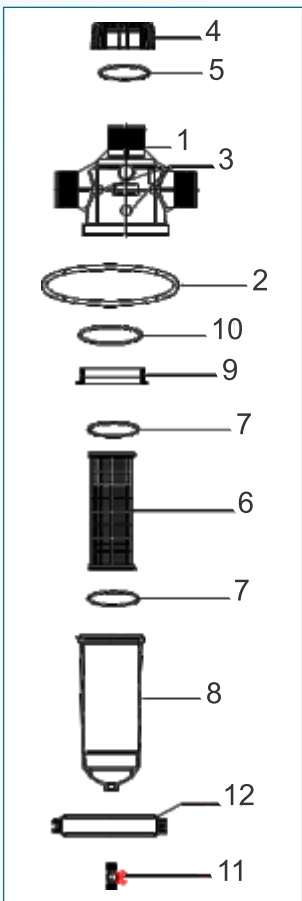
Flow Loss : AQ-125T

Flow m ³ /hr	21.6	27	30	35	42
Pressure Loss kg/cm ²	0.08	0.14	0.18	0.24	0.33
Flow GPM	95.0	115.0	132.0	155.0	185.0
Pressure Loss PSI	1.14	1.66	2.56	3.51	4.72

T Type Screen Filters



2 1/2" Screen Filter (Model 125 T(HC) - 30 m³/hr)				
AIPL CODE	DESCRIPTION	INLET/OUTLET	CONNECTION SIZE	MICRON /MESH
14320021	2 1/2" Screen Filter T-Type (With Hybrid Clamp) 120 Mesh	Male Thread NPT	2 1/2"	130/120
14050082	2 1/2" Screen Filter T-Type (With Hybrid Clamp) 120 Mesh	Male Thread BSP	2 1/2"	130/120
SPARE PARTS				
S. NO	PARTS NAME	PART CODE	MATERIAL	QTY
1	Body (BSP Thread)	12490077	Glass reinforced PP	1
	Body (NPT Thread)	12490126		
2	Gasket	50030031	NBR	1
3	Brass Bush	50100033	Brass	3
4	End Cap (BSP Thread)	12490120	Glass reinforced PP	1
	End Cap (NPT Thread)	12490129		
5	End cap O-Ring	50010041	NBR	1
6	SS-316 Screen Cartridge Single Mesh 80 - Black	12490183	Glass reinforced PP	1
	SS-316 Screen Cartridge Single Mesh 120 - Blue	12490171		
	SS-316 Screen Cartridge Single Mesh 150 - Red	12490184		
7	Cartridge O-Ring	50010040	NBR	2
8	Barrel	12490008	Glass reinforced PP	1
9	Adopter	12490019	Glass reinforced PP	1
10	Adopter O-Ring	50010087	NBR	1
11	3/4"x3/4" FXM Ball Valve	19070001	PP	1
12	3/4" Vacuum Breaker	25100051	Glass reinforced PP	1
13	Hybrid Clamp (SS Long Handle)	14050038	Glass reinforced PA	1



2 1/2" Screen Filter (Model 125 T - 30 m³/hr)				
AIPL CODE	DESCRIPTION	INLET/OUTLET	CONNECTION SIZE	MICRON /MESH
14330003	2 1/2" Screen Filter T-Type (With SS Clamp) 120 Mesh	Male Thread NPT	2 1/2"	130/120
14100003	2 1/2" Screen Filter T-Type (With SS Clamp) 120 Mesh	Male Thread BSP	2 1/2"	130/120
SPARE PARTS				
S. NO	PARTS NAME	PART CODE	MATERIAL	QTY
1	Body (BSP Thread)	12490077	Glass reinforced PP	1
	Body (NPT Thread)	12490126		
2	Gasket	50030031	NBR	1
3	Brass Bush	50100033	Brass	3
4	End Cap (BSP Thread)	12490120	Glass reinforced PP	1
	End Cap (NPT Thread)	12490129		
5	End Cap O-Ring	50010041	NBR	1
6	SS-316 Screen Cartridge Double Mesh 30/80 - Black	12490031	Glass reinforced PP	1
	SS-316 Screen Cartridge Double Mesh 30/120 - Blue	12490029		
	SS-316 Screen Cartridge Double Mesh 30/150 - Red	12490032		
7	Cartridge O-Ring	50010040	NBR	2
8	Barrel	12490008	Glass reinforced PP	1
9	Adopter	12490019	Glass reinforced PP	1
10	Adopter O-Ring	50010087	NBR	1
11	3/4"x3/4" MXM Mini Valve (Red Knob)	19030017	POM	1
12	SS Clamp (Long Handle)	14010060	SS 304	1

T Type Screen Filters

AQ-125TL(HC)



AQ-125TL

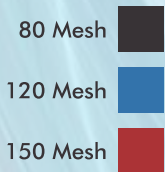


Max. Operating Pressure	8 Kg/cm ²
Clamp Material	Nylon Reinforced
Vacuum Breaker	For upside up installation
Drain port location	Front of the filter Body
Flow passes through outside to inside screen filter mesh.	

Max. Operating Pressure	10 Kg/cm ²
Clamp Material	Stainless Steel
Vacuum Breaker	Not fit with this design
Drain port location	Below the Filter barrel
Flow passes through inside to outside screen filter mesh.	

Specifications	AQ-125TL(HC) & AQ-125TL	
	US Standard	Metric Standard
Inlet / outlet	2 1/2" NPT	2 1/2" BSP
Range of Flow Rate	155-200 GPM	35-45 m ³ /hr
Nominal Flow Rate	175 GPM	40m ³ /hr
Filtration Surface Area	129 in ²	831cm ²
Material of Construction	Polypropylene Glass Reinforced	
Filtering Cartridge	316 Grade Stainless Steel Screen	
Cartridge Diameter	4.7 Inches	118mm
Cartridge Length	14.9 Inches	378.5mm
Available Mesh	80, 120, 150	80, 120, 150

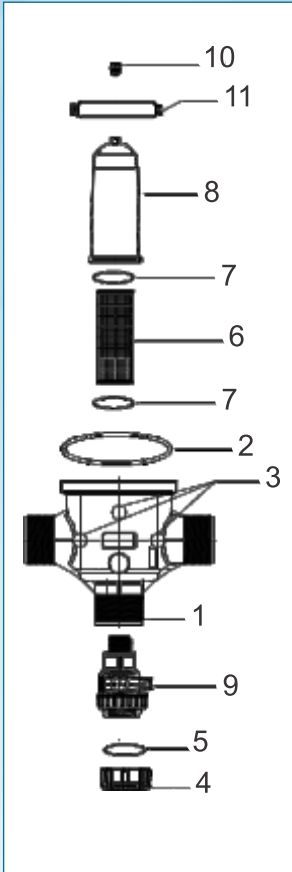
Filtering Element



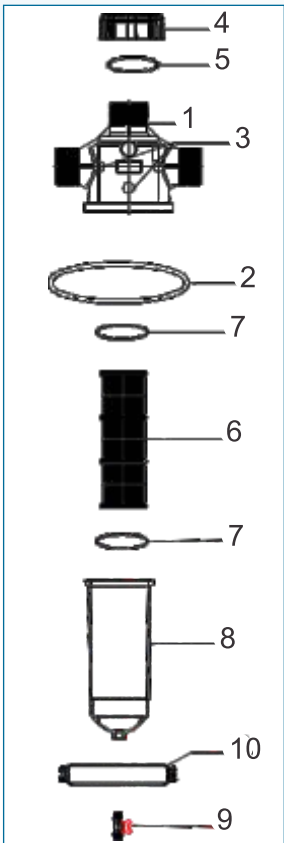
Flow Loss : AQ-125TL(HC)						
Flow m ³ /hr	28	35	40	45	54	
Pressure Loss kg/cm ²	0.08	0.15	0.21	0.25	0.36	
Flow GPM	123.2	155.0	175.0	200.0	237.6	
Pressure Loss PSI	1.14	2.24	2.88	3.65	5.12	

Flow Loss : AQ-125TL						
Flow m ³ /hr	28	35	40	45	54	
Pressure Loss kg/cm ²	0.09	0.20	0.27	0.35	0.46	
Flow GPM	123.0	155.0	175.0	200.0	237.6	
Pressure Loss PSI	1.28	2.89	3.93	5.11	6.53	

T Type Screen Filters



2 1/2" Screen Filter (Model 125 TL(HC) - 40 m ³ /hr)				
AIPL CODE	DESCRIPTION	INLET/OUTLET	CONNECTION SIZE	MICRON /MESH
14320022	2 1/2" Screen Filter T-Type (With Hybrid Clamp) 120 Mesh	Male Thread NPT	2 1/2"	130/120
14050083	2 1/2" Screen Filter T-Type (With Hybrid Clamp) 120 Mesh	Male Thread BSP	2 1/2"	130/120
SPARE PARTS				
S. NO	PARTS NAME	PART CODE	MATERIAL	QTY
1	Body (BSP Thread)	12490077	Glass reinforced PP	1
	Body (NPT Thread)	12490126		
2	Gasket	50030031	NBR	1
3	Brass Bush	50100033	Brass	3
4	End Cap (BSP Thread)	12490120	Glass reinforced PP	1
	End Cap (NPT Thread)	12490129		
5	End Cap O-Ring	14120001	NBR	1
6	SS-316 Screen Cartridge Single Mesh 80 - Black	12490174	Glass reinforced PP	1
	SS-316 Screen Cartridge Single Mesh 120 - Blue	12490172		
	SS-316 Screen Cartridge Single Mesh 150 - Red	12490175		
7	Cartridge O-Ring	50010040	NBR	2
8	Barrel	12490116	Glass reinforced PP	1
9	3/4"x3/4" FXM Ball Valve	19070001	PP	1
10	3/4" Vacuum Breaker	25100051	Glass reinforced PP	1
11	Hybrid Clamp (SS Long Handle)	14050038	Glass reinforced PA	1



2 1/2" Screen Filter (Model 125 TL - 40 m ³ /hr)				
AIPL CODE	DESCRIPTION	INLET/OUTLET	CONNECTION SIZE	MICRON /MESH
14330004	2 1/2" Screen Filter T-Type (With SS Clamp) 120 Mesh	Male Thread NPT	2 1/2"	130/120
14100004	2 1/2" Screen Filter T-Type (With SS Clamp) 120 Mesh	Male Thread BSP	2 1/2"	130/120
SPARE PARTS				
S. NO	PARTS NAME	PART CODE	MATERIAL	QTY
1	Body (BSP Thread)	12490077	Glass reinforced PP	1
	Body (NPT Thread)	12490127		
2	Gasket	50030031	NBR	1
3	Brass Bush	50100033	Brass	3
4	End Cap (BSP Thread)	12490120	Glass reinforced PP	1
	End Cap (NPT Thread)	12490129		
5	End Cap O-Ring	14120001	NBR	1
6	SS-316 Screen Cartridge Double Mesh 30/80 - Black	12490073	Glass reinforced PP	1
	SS-316 Screen Cartridge Double Mesh 30/120 - Blue	12490071		
	SS-316 Screen Cartridge Double Mesh 30/150 - Red	12490074		
7	Cartridge O-Ring	50010040	NBR	2
8	Barrel	12490116	Glass reinforced PP	1
9	3/4"x3/4" MXM Mini Valve (Red Knob)	19030017	POM	1
10	SS Clamp (Long Handle)	14010060	SS 304	1

T Type Screen Filters

AQ-126T(HC)



AQ-126T

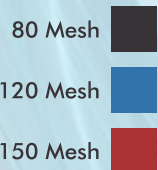


Max. Operating Pressure	8 Kg/cm ²
Clamp Material	Nylon Reinforced
Vacuum Breaker	For upside up installation
Drain port location	Front of the filter Body
Flow passes through outside to inside screen filter mesh.	

Max. Operating Pressure	10 Kg/cm ²
Clamp Material	Stainless Steel
Vacuum Breaker	Not fit with this design
Drain port location	Below the Filter barrel
Flow passes through inside to outside screen filter mesh.	

Specifications	AQ-126T(HC) & AQ-126T	
	US Standard	Metric Standard
Inlet / outlet	3" NPT	3" BSP
Range of Flow Rate	155-200 GPM	35-45 m ³ /hr
Nominal Flow Rate	175 GPM	40 m ³ /hr
Filtration Surface Area	129 in ²	831cm ²
Material of Construction	Polypropylene Glass Reinforced	
Filtering Cartridge	316 Grade Stainless Steel Screen	
Cartridge Diameter	4.7 Inches	118mm
Cartridge Length	14.9 Inches	378.5mm
Available Mesh	80, 120, 150	80, 120, 150

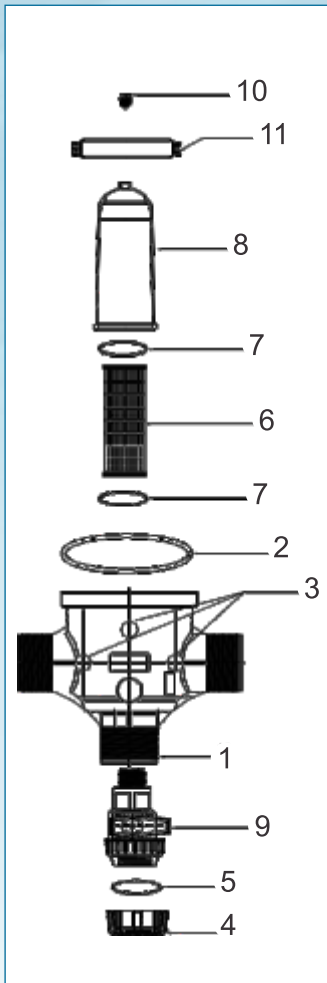
Filtering Element



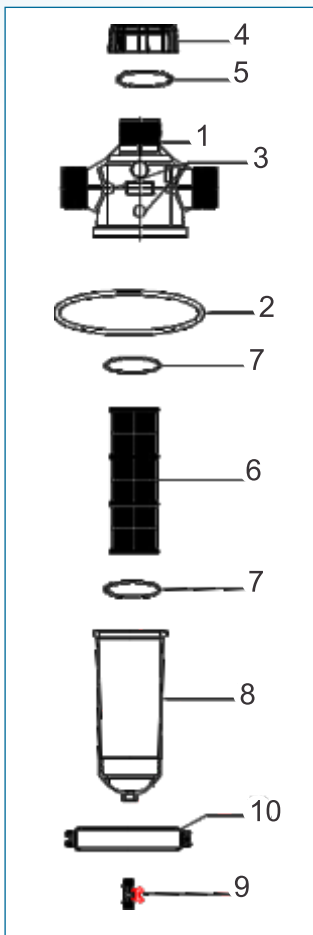
Flow Loss : AQ-126T(HC)					
Flow m ³ /hr	28	35	40	42	50.4
Pressure Loss kg/cm ²	0.05	0.10	0.20	0.26	0.47
Flow GPM	123.2	155.0	175.0	200.0	222.0
Pressure Loss PSI	0.71	1.49	2.76	4.48	6.68

Flow Loss : AQ-126T					
Flow m ³ /hr	28	35	40	42	50.4
Pressure Loss kg/cm ²	0.05	0.11	0.25	0.34	0.52
Flow GPM	123.0	155.0	175.0	200.0	222.0
Pressure Loss PSI	0.71	1.63	3.43	5.43	7.43

T Type Screen Filters



3" Screen Filter (Model 126 T(HC) - 40 m ³ /hr)				
AIPL CODE	DESCRIPTION	INLET/OUTLET	CONNECTION SIZE	MICRON /MESH
14320023	3" Screen Filter T-Type (With Hybrid Clamp) 120 Mesh	Male Thread NPT	3"	130/120
14050084	3" Screen Filter T-Type (With Hybrid Clamp) 120 Mesh	Male Thread BSP	3"	130/120
14460003	3" Screen Filter T-Type (With Hybrid Clamp) 120 Mesh	Victaulic Connection	3"	130/120
SPARE PARTS				
S. NO	PARTS NAME	PART CODE	MATERIAL	QTY
1	Plain Body (BSP Thread)	12490001	Glass reinforced PP	1
	Plain Body (NPT Thread)	12490185		
	Plain Body (Victaulic Connection)	12490006		
2	Gasket	50030031	NBR	1
3	Brass Bush	50100033	Brass	3
4	End Cap (BSP Thread)	12490009	Glass reinforced PP	1
	End Cap (NPT Thread)	12490010		
5	End Cap O-Ring	50010039	NBR	1
6	SS-316 Screen Cartridge Single Mesh 80 - Black	12490174	Glass reinforced PP	1
	SS-316 Screen Cartridge Single Mesh 120 - Blue	12490172		
	SS-316 Screen Cartridge Single Mesh 150 - Red	12490175		
7	Cartridge O-Ring	50010040	NBR	2
8	Barrel	12490116	Glass reinforced PP	1
9	3/4"x3/4" FXM Ball Valve	19070001	PP	1
10	3/4" Vacuum Breaker	25100051	Glass reinforced PP	1
11	Hybrid Clamp (SS Long Handle)	14050038	Glass reinforced PA	1



3" Screen Filter (Model 126 T - 40 m ³ /hr)				
AIPL CODE	DESCRIPTION	INLET/OUTLET	CONNECTION SIZE	MICRON /MESH
14310010	3" Screen Filter T-Type (With SS Clamp) 120 Mesh	Male Thread NPT	3"	130/120
14100005	3" Screen Filter T-Type (With SS Clamp) 120 Mesh	Male Thread BSP	3"	130/120
14450003	3" Screen Filter T-Type (With SS Clamp) 120 Mesh	Victaulic Connection	3"	130/120
SPARE PARTS				
S. NO	PARTS NAME	PART CODE	MATERIAL	QTY
1	Plain Body (BSP Thread)	12490001	Glass reinforced PP	1
	Plain Body (NPT Thread)	12490185		
	Plain Body (Victaulic Connection)	12490006		
2	Gasket	50030031	NBR	1
3	Brass Bush	50100033	Brass	3
4	End Cap (BSP Thread)	12490009	Glass reinforced PP	1
	End Cap (NPT Thread)	12490010		
5	End Cap O-Ring	50010039	NBR	1
6	SS-316 Screen Cartridge Double Mesh 30/80 - Black	12490073	Glass reinforced PP	1
	SS-316 Screen Cartridge Double Mesh 30/120 - Blue	12490071		
	SS-316 Screen Cartridge Double Mesh 30/150 - Red	12490074		
7	Cartridge O-Ring	50010040	NBR	2
8	Barrel	12490116	Glass reinforced PP	1
9	3/4"x3/4" MXM Mini Valve (Red Knob)	19030017	POM	1
10	SS Clamp (Long Handle)	14010060	SS 304	1

T Type Screen Filters

AQ-126TL(HC)



AQ-126TL



Max. Operating Pressure	8 Kg/cm ²
Clamp Material	Nylon Reinforced
Vacuum Breaker	For upside up installation
Drain port location	Front of the filter Body
Flow passes through outside to inside screen filter mesh.	

Max. Operating Pressure	10 Kg/cm ²
Clamp Material	Stainless Steel
Vacuum Breaker	Not fit with this design
Drain port location	Below the Filter barrel
Flow passes through inside to outside screen filter mesh.	

Specifications	AQ-126TL(HC) & AQ-126TL	
	US Standard	Metric Standard
Inlet / outlet	3" NPT	3" BSP
Range of Flow Rate	195-230 GPM	45-52 m ³ /hr
Nominal Flow Rate	220 GPM	50 m ³ /hr
Filtration Surface Area	172 in ²	1108cm ²
Material of Construction	Polypropylene Glass Reinforced	
Filtering Cartridge	316 Grade Stainless Steel Screen	
Cartridge Diameter	4.7 Inches	118mm
Cartridge Length	19.75 Inches	502mm
Available Mesh	80, 120, 150	80, 120, 150

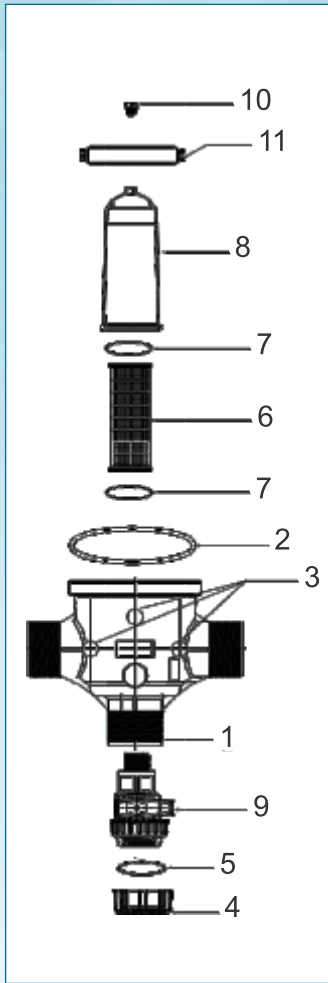
Filtering Element

- 80 Mesh
- 120 Mesh
- 150 Mesh

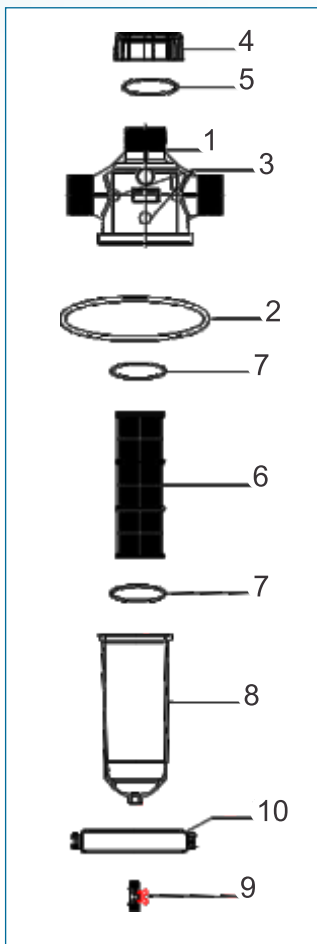
Flow Loss : AQ-126TL(HC)						
Flow m ³ /hr	36	45	50	51	61.2	
Pressure Loss kg/cm ²	0.05	0.10	0.24	0.26	0.40	
Flow GPM	160.0	195.0	220.0	225.0	5.7	
Pressure Loss PSI	0.78	1.21	3.41	3.76	6.35	

Flow Loss : AQ-126TL						
Flow m ³ /hr	36	45	50	51	61.2	
Pressure Loss kg/cm ²	0.05	0.13	0.3	0.32	0.45	
Flow GPM	160.0	195.0	220.0	225.0	269.0	
Pressure Loss PSI	0.78	1.68	4.26	4.56	6.35	

T Type Screen Filters



3" Screen Filter (Model 126 TL(HC) - 50 m ³ /hr)				
AIPL CODE	DESCRIPTION	INLET/OUTLET	CONNECTION SIZE	MICRON /MESH
14320024	3" Screen Filter T-Type (With Hybrid Clamp) 120 Mesh	Male Thread NPT	3"	130/120
14050085	3" Screen Filter T-Type (With Hybrid Clamp) 120 Mesh	Male Thread BSP	3"	130/120
14460004	3" Screen Filter T-Type (With Hybrid Clamp) 120 Mesh	Victaulic Connection	3"	130/120
SPARE PARTS				
S. NO	PARTS NAME	PART CODE	MATERIAL	QTY
1	Plain Body (BSP Thread)	12490001	Glass reinforced PP	1
	Plain Body (NPT Thread)	12490185		
	Plain Body (Victaulic Connection)	12490006		
2	Gasket	50030031	NBR	1
3	Brass Bush	50100033	Brass	3
4	End Cap (BSP Thread)	12490009	Glass reinforced PP	1
	End Cap (NPT Thread)	12490010		
5	End Cap O-Ring	50010039	NBR	1
6	SS-316 Screen Cartridge Single Mesh 80 - Black	12490180	Glass reinforced PA	1
	SS-316 Screen Cartridge Single Mesh 120 - Blue	12490178		
	SS-316 Screen Cartridge Single Mesh 150 - Red	12490177		
7	Cartridge O-Ring	50010040	NBR	2
8	Barrel	12490007	Glass reinforced PP	1
9	3/4"x3/4" FXM Ball Valve	19070001	PP	1
10	3/4" Vacuum Breaker	25100051	Glass reinforced PP	1
11	Hybrid Clamp (SS Long Handle)	14050038	Glass reinforced PA	1



3" Screen Filter (Model 126 TL - 50 m ³ /hr)				
AIPL CODE	DESCRIPTION	INLET/OUTLET	CONNECTION SIZE	MICRON /MESH
14310011	3" Screen Filter T-Type (With SS Clamp) 120 Mesh	Male Thread NPT	3"	130/120
14100006	3" Screen Filter T-Type (With SS Clamp) 120 Mesh	Male Thread BSP	3"	130/120
14450004	3" Screen Filter T-Type (With SS Clamp) 120 Mesh	Victaulic Connection	3"	130/120
SPARE PARTS				
S. NO	PARTS NAME	PART CODE	MATERIAL	QTY
1	Plain Body (BSP Thread)	12490001	Glass reinforced PP	1
	Plain Body (NPT Thread)	12490185		
	Plain Body (Victaulic Connection)	12490006		
2	Gasket	50030031	NBR	1
3	Brass Bush	50100033	Brass	3
4	End Cap (BSP Thread)	12490009	Glass reinforced PP	1
	End Cap (NPT Thread)	12490010		
5	End Cap O-Ring	50010039	NBR	1
6	SS-316 Screen Cartridge Double Mesh 30/80 - Black	12490037	Glass reinforced PA	1
	SS-316 Screen Cartridge Double Mesh 30/120 - Blue	12490035		
	SS-316 Screen Cartridge Double Mesh 30/150 - Red	12490034		
7	Cartridge O-Ring	50010040	NBR	2
8	Barrel	12490007	Glass reinforced PP	1
9	3/4"x3/4" MXM Mini Valve (Red Knob)	19030017	POM	1
10	SS Clamp (Long Handle)	14010060	SS 304	1

T Type Disc Filters

AQ-134TS(HC)



Max. Operating Pressure	8 Kg/cm ²
Clamp Material	Nylon Reinforced
Vacuum Breaker	For upside up installation
Drain port location	Front of the filter Body
Flow passes through outside to inside of Disc stake.	

AQ-134TS



Max. Operating Pressure	10 Kg/cm ²
Clamp Material	Stainless Steel
Vacuum Breaker	Not fit with this design
Drain port location	Below the Filter barrel
Flow passes through outside to inside of Disc stake.	

Specifications	AQ-134TS(HC) & AQ-134TS	
	US Standard	Metric Standard
Inlet / outlet	2" NPT	2" BSP
Range of Flow Rate	80-120 GPM	18-27 m ³ /hr
Nominal Flow Rate	110 GPM	25 m ³ /hr
Filtration Surface Area	136 in ²	878cm ²
Material of Construction	Polypropylene Glass Reinforced	
Material Of Disc	Poly Propylene	
Cartridge Diameter	5.2 Inches	131mm
Cartridge Length	11.8Inches	300mm
Available Mesh	120, 150	120, 150

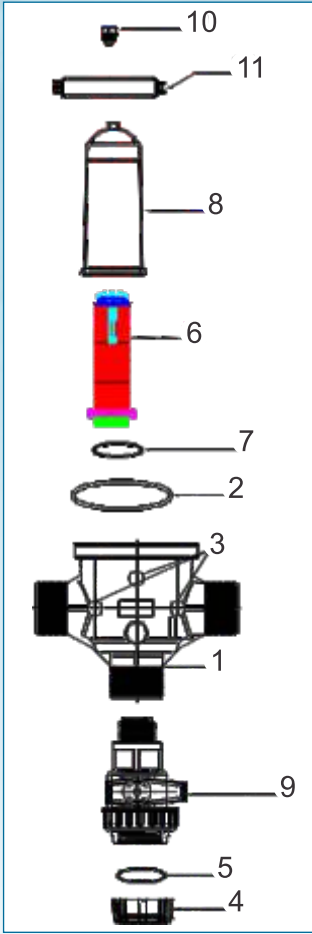
Filtering Element

- 120 Mesh
- 150 Mesh

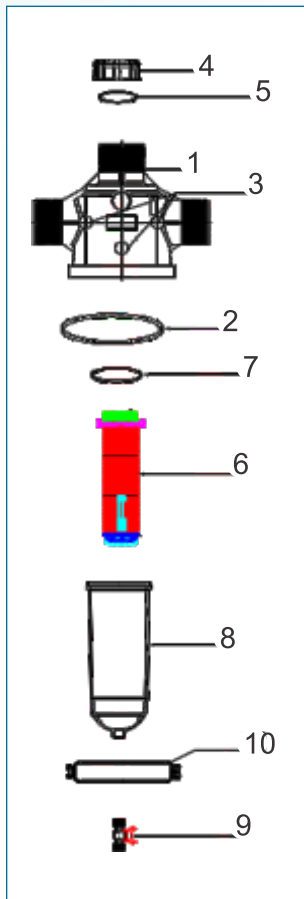
Flow Loss : AQ-134TS

Flow m ³ /hr	18	25	27	32.4
Pressure Loss kg/cm ²	0.14	0.26	0.3	0.41
Flow GPM	80	110	120	143
Pressure Loss PSI	2.11	3.69	4.38	5.89

T Type Disc Filters



2" Disc Filter [Model 134TS(HC)- 25 m³/hr]				
AIPL CODE	DESCRIPTION	INLET/OUTLET	CONNECTION SIZE	MICRON /MESH
14350027	2" Disc Filter T-Type (With Hybrid Clamp) 120 Mesh	Male Thread NPT	2"	130/120
14070083	2" Disc Filter T-Type (With Hybrid Clamp) 120 Mesh	Male Thread BSP	2"	130/120
14430001	2" Disc Filter T-Type (With Hybrid Clamp) 120 Mesh	Victaulic Connection	2"	130/120
SPARE PARTS				
S. NO	PARTS NAME	PART CODE	MATERIAL	QTY
1	Plain Body (BSP Thread)	12490023	Glass reinforced PP	1
	Plain Body (NPT Thread)	12490101		
	Plain Body (Victaulic Connection)	12490104		
2	Gasket	50030031	NBR	1
3	Brass Bush	50100033	Brass	3
4	End Cap (BSP Thread)	12490027	Glass reinforced PP	1
	End Cap (NPT Thread)	12490028		
5	End Cap O-Ring	50010043	NBR	1
6	Disc Cartridge (120 Mesh)	14130001	Glass reinforced PP	1
	Disc Cartridge (150 Mesh)	14130007		
7	Cartridge O-Ring	50010087	NBR	1
8	Barrel	12490025	Glass reinforced PP	1
9	3/4"x3/4" FXM Ball Valve	19070001	PP	1
10	3/4" Vacuum Breaker	25100051	Glass reinforced PP	1
11	Hybrid Clamp (SS Long Handle)	14050038	Glass reinforced PA	1



2" Disc Filter (Model 134 TS - 25 m³/hr)				
AIPL CODE	DESCRIPTION	INLET/OUTLET	CONNECTION SIZE	MICRON /MESH
14340001	2" Disc Filter T-Type (With SS Clamp) 120 Mesh	Male Thread NPT	2"	130/120
14010004	2" Disc Filter T-Type (With SS Clamp) 120 Mesh	Male Thread BSP	2"	130/120
14420001	2" Disc Filter T-Type (With SS Clamp) 120 Mesh	Victaulic Connection	2"	130/120
SPARE PARTS				
S. NO	PARTS NAME	PART CODE	MATERIAL	QTY
1	Plain Body (BSP Thread)	12490023	Glass reinforced PP	1
	Plain Body (NPT Thread)	12490101		
	Plain Body (Victaulic Connection)	12490104		
2	Gasket	50030031	NBR	1
3	Brass Bush	50100033	Brass	3
4	End Cap (BSP Thread)	12490027	Glass reinforced PP	1
	End Cap (NPT Thread)	12490028		
5	End Cap O-Ring	50010043	NBR	1
6	Disc Cartridge (120 Mesh)	14130001	Glass reinforced PP	1
	Disc Cartridge (150 Mesh)	14130007		
7	Cartridge O-Ring	50010087	NBR	1
8	Barrel	12490025	Glass reinforced PP	1
9	3/4"x3/4" MXM Mini Valve (Red Knob)	19030017	POM	1
10	SS Clamp (Long Handle)	14010060	SS 304	1

T Type Disc Filters

AQ-134T(HC)



AQ-134T



Max. Operating Pressure	8 Kg/cm ²
Clamp Material	Nylon Reinforced
Vacuum Breaker	For upside up installation
Drain port location	Front of the filter Body
Flow passes through outside to inside of Disc stake.	

Max. Operating Pressure	10 Kg/cm ²
Clamp Material	Stainless Steel
Vacuum Breaker	Not fit with this design
Drain port location	Below the Filter barrel
Flow passes through outside to inside of Disc stake.	

Specifications	AQ-134T(HC) & AQ-134T	
	US Standard	Metric Standard
Inlet / outlet	2" NPT	2" BSP
Range of Flow Rate	95-155 GPM	22-35 m ³ /hr
Nominal Flow Rate	130 GPM	30 m ³ /hr
Filtration Surface Area	185 in ²	1193cm ²
Material of Construction	Polypropylene Glass Reinforced	
Material of Disc	Polypropylene Disc	
Cartridge Diameter	5.2 Inches	131mm
Cartridge Length	15.75 Inches	400mm
Available Mesh	120, 150	120, 150

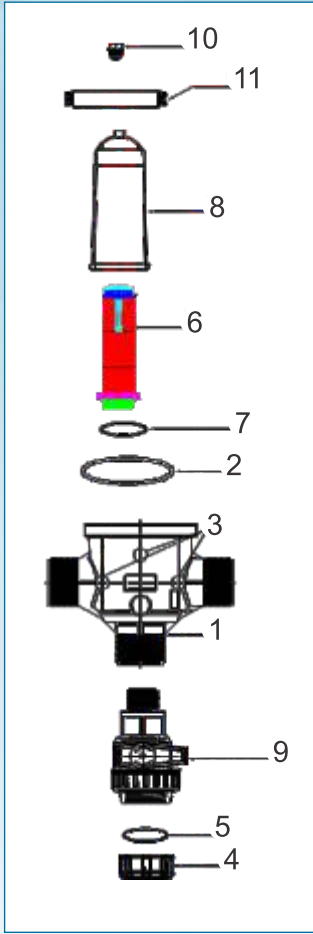
Filtering Element

- 120 Mesh
- 150 Mesh

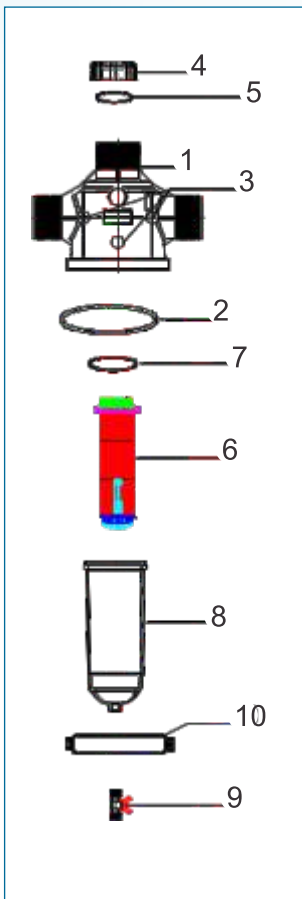
Flow Loss : AQ-134T

Flow m ³ /hr	17.6	22	26.4	30	35
Pressure Loss kg/cm ²	0.11	0.18	0.26	0.32	0.44
Flow GPM	78	95	116	130	154
Pressure Loss PSI	1.64	2.32	3.63	4.35	6.25

T Type Disc Filters



2" Disc Filter [Model 134 T(HC) - 30 m³/hr]				
AIPL CODE	DESCRIPTION	INLET/OUTLET	CONNECTION SIZE	MICRON /MESH
14350029	2" Disc Filter T-Type (With Hybrid Clamp) 120 Mesh	Male Thread NPT	2"	130/120
14070085	2" Disc Filter T-Type (With Hybrid Clamp) 120 Mesh	Male Thread BSP	2"	130/120
14430002	2" Disc Filter T-Type (With Hybrid Clamp) 120 Mesh	Victaulic Connection	2"	130/120
SPARE PARTS				
S. NO	PARTS NAME	PART CODE	MATERIAL	QTY
1	Plain Body (BSP Thread)	12490023	Glass reinforced PP	1
	Plain Body (NPT Thread)	12490101		
	Plain Body (Victaulic Connection)	12490104		
2	Gasket	50030031	NBR	1
3	Brass Bush	50100033	Brass	3
4	End Cap (BSP Thread)	12490027	Glass reinforced PP	1
	End Cap (NPT Thread)	12490028		
5	End Cap O-Ring	50010043	NBR	1
6	Disc Cartridge (120 Mesh)	14130004	Glass reinforced PP	1
	Disc Cartridge (150 Mesh)	14130010		
7	Cartridge O-Ring	50010087	NBR	1
8	Barrel	12490116	Glass reinforced PP	1
9	3/4"x3/4" FXM Ball Valve	19070001	PP	
10	3/4" Vacuum Breaker	25100051	Glass reinforced PP	1
11	Hybrid Clamp (SS Long Handle)	14050038	Glass reinforced PA	1



2" Disc Filter (Model 134 T - 30 m³/hr)				
AIPL CODE	DESCRIPTION	INLET/OUTLET	CONNECTION SIZE	MICRON /MESH
14340002	2" Disc Filter T-Type (With SS Clamp) 120 Mesh	Male Thread NPT	2"	130/120
14010001	2" Disc Filter T-Type (With SS Clamp) 120 Mesh	Male Thread BSP	2"	130/120
14420002	2" Disc Filter T-Type (With SS Clamp) 120 Mesh	Victaulic Connection	2"	130/120
SPARE PARTS				
S. NO	PARTS NAME	PART CODE	MATERIAL	QTY
1	Plain Body (BSP Thread)	12490023	Glass reinforced PP	1
	Plain Body (NPT Thread)	12490101		
	Plain Body (Victaulic Connection)	12490104		
2	Gasket	50030031	NBR	1
3	Brass Bush	50100033	Brass	3
4	End Cap (BSP Thread)	12490027	Glass reinforced PP	1
	End Cap (NPT Thread)	12490028		
5	End Cap O-Ring	50010043	NBR	1
6	Disc Cartridge (120 Mesh)	14130004	Glass reinforced PP	1
	Disc Cartridge (150 Mesh)	14130010		
7	Cartridge O-Ring	50010087	NBR	1
8	Barrel	12490116	Glass reinforced PP	1
9	3/4"x3/4" MXM Mini Valve (Red Knob)	19030017	POM	1
10	SS Clamp (Long Handle)	14010060	SS 304	1

T Type Disc Filters

AQ-135T(HC)



AQ-135T



Max. Operating Pressure	8 Kg/cm ²
Clamp Material	Nylon Reinforced
Vacuum Breaker	For upside up installation
Drain port location	Front of the filter Body
Flow passes through outside to inside of Disc stake.	

Max. Operating Pressure	10 Kg/cm ²
Clamp Material	Stainless Steel
Vacuum Breaker	Not fit with this design
Drain port location	Below the Filter barrel
Flow passes through outside to inside of Disc stake.	

Specifications	AQ-135T(HC) & AQ-135T	
	US Standard	Metric Standard
Inlet / outlet	2 1/2" NPT	2 1/2" BSP
Range of Flow Rate	110-155 GPM	25-35 m ³ /hr
Nominal Flow Rate	130 GPM	30 m ³ /hr
Filtration Surface Area	136 in ²	878cm ²
Material of Construction	Polypropylene Glass Reinforced	
Material of Disc	Polypropylene Disc	
Cartridge Diameter	5.2 Inches	131mm
Cartridge Length	11.8 Inches	300mm
Available Mesh	120, 150	120, 150

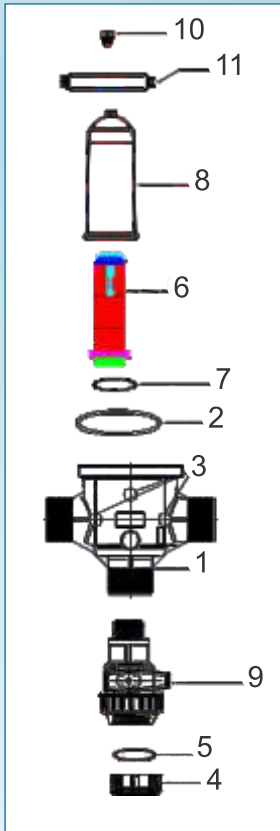
Filtering Element

- 120 Mesh
- 150 Mesh

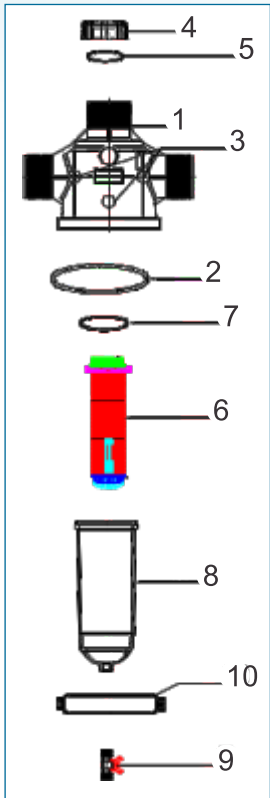
Flow Loss : AQ-135T(HC)

Flow m ³ /hr	20	25	30	35
Pressure Loss kg/cm ²	0.12	0.16	0.24	0.32
Flow GPM	88	110	130	155
Pressure Loss PSI	1.70	2.27	3.27	4.64

T Type Disc Filters



2 1/2" Disc Filter [Model 135 T(HC) - 30 m³/hr]				
AIPL CODE	DESCRIPTION	INLET/OUTLET	CONNECTION SIZE	MICRON /MESH
14350028	2 1/2" Disc Filter T-Type (With Hybrid Clamp) 120 Mesh	Male Thread NPT	2 1/2"	130/120
14070084	2 1/2" Disc Filter T-Type (With Hybrid Clamp) 120 Mesh	Male Thread BSP	2 1/2"	130/120
SPARE PARTS				
S. NO	PARTS NAME	PART CODE	MATERIAL	QTY
1	Plain Body (BSP Thread)	12490077	Glass reinforced PP	1
	Plain Body (NPT Thread)	12490126		
2	Gasket	50030031	NBR	1
3	Brass Bush	50100033	Brass	3
4	End Cap (BSP Thread)	12490120	Glass reinforced PP	1
	End Cap (NPT Thread)	12490129		
5	End Cap O-Ring	14120001	NBR	1
6	Disc Cartridge (120 Mesh)	14130004	Glass reinforced PP	1
	Disc Cartridge (150 Mesh)	14130010		
7	Cartridge O-Ring	50010087	NBR	1
8	Barrel	12490116	Glass reinforced PP	1
9	3/4"x3/4" FXM Ball Valve	19070001	PP	
10	3/4" Vacuum Breaker	25100051	Glass reinforced PP	1
11	Hybrid Clamp (SS Long Handle)	14050038	Glass reinforced PA	1



2 1/2" Disc Filter (Model 135 T - 30 m³/hr)				
AIPL CODE	DESCRIPTION	INLET/OUTLET	CONNECTION SIZE	MICRON /MESH
14340003	2 1/2" Disc Filter T-Type (With SS Clamp) 120MESH	Male Thread NPT	2 1/2"	130/120
14010005	2 1/2" Disc Filter T-Type (With SS Clamp) 120MESH	Male Thread BSP	2 1/2"	130/120
SPARE PARTS				
S. NO	PARTS NAME	PART CODE	MATERIAL	QTY
1	Plain Body (BSP Thread)	12490077	Glass reinforced PP	1
	Plain Body (NPT Thread)	12490126		
2	Gasket	50030031	NBR	1
3	Brass Bush	50100033	Brass	3
4	End Cap (BSP Thread)	12490120	Glass reinforced PP	1
	End Cap (NPT Thread)	12490129		
5	End Cap O-Ring	14120001	NBR	1
6	Disc Cartridge (120 Mesh)	14130004	Glass reinforced PP	1
	Disc Cartridge (150 Mesh)	14130010		
7	Cartridge O-Ring	50010087	NBR	1
8	Barrel	12490116	Glass reinforced PP	1
9	3/4"x3/4" MXM Mini Valve (Red Knob)	19030017	POM	1
10	SS Clamp (Long Handle)	14010060	SS 304	1

T Type Disc Filters

AQ-135TL(HC)



Max. Operating Pressure	8 Kg/cm ²
Clamp Material	Nylon Reinforced
Vacuum Breaker	For upside up installation
Drain port location	Front of the filter Body
Flow passes through outside to inside of Disc stake.	

AQ-135TL



Max. Operating Pressure	10 Kg/cm ²
Clamp Material	Stainless Steel
Vacuum Breaker	Not fit with this design
Drain port location	Below the Filter barrel
Flow passes through outside to inside of Disc stake.	

Specifications	AQ-135TL(HC) & AQ-135TL	
	US Standard	Metric Standard
Inlet / outlet	2 1/2" NPT	2 1/2" BSP
Range of Flow Rate	155-200 GPM	35-45 m ³ /hr
Nominal Flow Rate	176 GPM	40 m ³ /hr
Filtration Surface Area	185 in ²	1193cm ²
Material of Construction	Polypropylene Glass Reinforced	
Material of Disc	Polypropylene Disc	
Cartridge Diameter	5.2 Inches	131mm
Cartridge Length	15.75 Inches	400mm
Available Mesh	120, 150	120, 150

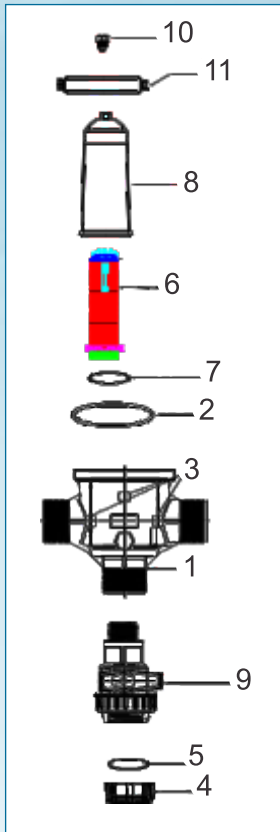
Filtering Element

- 120 Mesh
- 150 Mesh

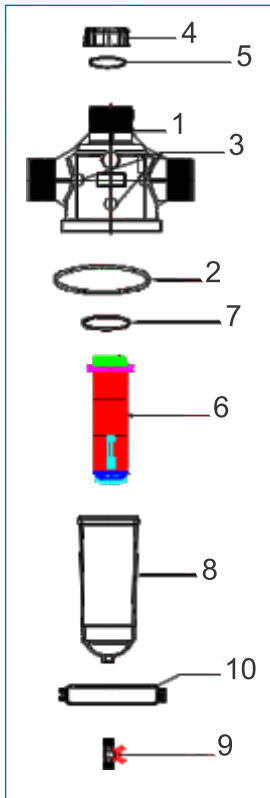
Flow Loss : AQ-135TL

Flow m ³ /hr	28	35	40	45
Pressure Loss kg/cm ²	0.10	0.22	0.29	0.37
Flow GPM	123	155	175	200
Pressure Loss PSI	1.37	3.06	4.03	5.43

T Type Disc Filters



2 1/2" Disc Filter [Model 135 TL(HC) - 40 m³/hr]				
AIPL CODE	DESCRIPTION	INLET/OUTLET	CONNECTION SIZE	MICRON /MESH
14350030	2 1/2" Disc Filter T-Type (With Hybrid Clamp) 120 Mesh	Male Thread NPT	2 1/2"	130/120
14070086	2 1/2" Disc Filter T-Type (With Hybrid Clamp) 120 Mesh	Male Thread BSP	2 1/2"	130/120
SPARE PARTS				
S. NO	PARTS NAME	PART CODE	MATERIAL	QTY
1	Plain Body (BSP Thread)	12490077	Glass reinforced PP	1
	Plain Body (NPT Thread)	12490126		
2	Gasket	50030031	NBR	1
3	Brass Bush	50100033	Brass	3
4	End Cap (BSP Thread)	12490120	Glass reinforced PP	1
	End Cap (NPT Thread)	12490129		
5	End Cap O-Ring	14120001	NBR	1
6	Disc Cartridge (120 Mesh)	14010047	Glass reinforced PP	1
	Disc Cartridge (150 Mesh)	14010049		
7	Cartridge O-Ring	50010087	NBR	1
8	Barrel	12490007	Glass reinforced PP	1
9	3/4"x3/4" FXM Ball Valve	19070001	PP	1
10	3/4" Vacuum Breaker	25100051	Glass reinforced PP	1
11	Hybrid Clamp (SS Long Handle)	14050038	Glass reinforced PA	1



2 1/2" Disc Filter [Model 135 TL - 40 m³/hr]				
AIPL CODE	DESCRIPTION	INLET/OUTLET	CONNECTION SIZE	MICRON /MESH
14340004	2 1/2" Disc Filter T-Type (With SS Clamp) 120 Mesh	Male Thread NPT	2 1/2"	130/120
14010006	2 1/2" Disc Filter T-Type (With SS Clamp) 120 Mesh	Male Thread BSP	2 1/2"	130/120
SPARE PARTS				
S. NO	PARTS NAME	PART CODE	MATERIAL	QTY
1	Plain Body (BSP Thread)	12490077	Glass reinforced PP	1
	Plain Body (NPT Thread)	12490126		
2	Gasket	50030031	NBR	1
3	Brass Bush	50100033	Brass	3
4	End Cap (BSP Thread)	12490120	Glass reinforced PP	1
	End Cap (NPT Thread)	12490129		
5	End Cap O-Ring	14120001	NBR	1
6	Disc Cartridge (120 Mesh)	14010047	Glass reinforced PP	1
	Disc Cartridge (150 Mesh)	14010049		
7	Cartridge O-Ring	50010087	NBR	1
8	Barrel	12490007	Glass reinforced PP	1
9	3/4"x3/4" MXM Mini Valve (Red Knob)	19030017	POM BLACK	1
10	SS Clamp (Long Handle)	14010060	SS 304	1

T Type Disc Filters

AQ-136TS(HC)



Max. Operating Pressure	8 Kg/cm ²
Clamp Material	Nylon Reinforced
Vacuum Breaker	For upside up installation
Drain port location	Front of the filter Body
Flow passes through outside to inside of Disc stake.	

AQ-136TS



Max. Operating Pressure	10 Kg/cm ²
Clamp Material	Stainless Steel
Vacuum Breaker	Not fit with this design
Drain port location	Below the Filter barrel
Flow passes through outside to inside of Disc stake.	

Specifications	AQ-136TS(HC) & AQ-136TS	
	US Standard	Metric Standard
Inlet / outlet	3" NPT	3" BSP
Range of Flow Rate	155-200 GPM	35-45 m ³ /hr
Nominal Flow Rate	175 GPM	40 m ³ /hr
Filtration Surface Area	185 in ²	1193cm ²
Material of Construction	Polypropylene Glass Reinforced	
Material of Disc	Polypropylene Disc	
Cartridge Diameter	5.2 Inches	131mm
Cartridge Length	15.75 Inches	400mm
Available Mesh	120, 150	120, 150

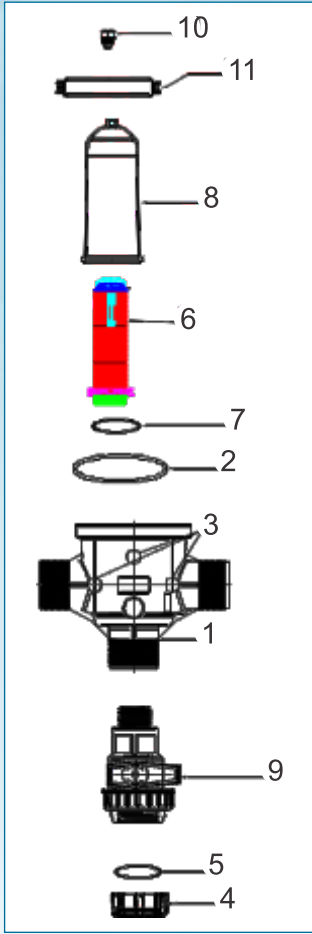
Filtering Element

- 120 Mesh
- 150 Mesh

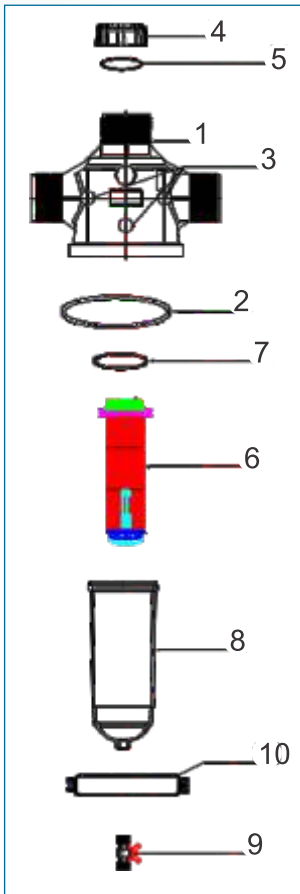
Flow Loss : AQ-136TS

Flow m ³ /hr	28	35	40	45
Pressure Loss kg/cm ²	0.13	0.21	0.28	0.365
Flow GPM	123	155	175	200
Pressure Loss PSI	1.82	3.06	3.87	5.32

T Type Disc Filters



3" Disc Filter [Model 136 TS (HC) - 40 m ³ /hr]				
AIPL CODE	DESCRIPTION	INLET/OUTLET	CONNECTION SIZE	MICRON /MESH
14350031	3" Disc Filter T-Type (With Hybrid Clamp) 120 Mesh	Male Thread NPT	3"	130/120
14070087	3" Disc Filter T-Type (With Hybrid Clamp) 120 Mesh	Male Thread BSP	3"	130/120
14430003	3" Disc Filter T-Type (With Hybrid Clamp) 120 Mesh	Victaulic Connection	3"	130/120
SPARE PARTS				
S. NO	PARTS NAME	PART CODE	MATERIAL	QTY
1	Plain Body (BSP Thread)	12490001	Glass reinforced PP	1
	Plain Body (NPT Thread)	12490185		
	Plain Body (Victaulic Connection)	12490006		
2	Gasket	50030031	NBR	1
3	Brass Bush	50100033	Brass	3
4	End Cap (BSP Thread)	12490009	Glass reinforced PP	1
	End Cap (NPT Thread)	12490010		
5	End Cap O-Ring	50010039	NBR	1
6	Disc Cartridge (120 Mesh)	14130004	Glass reinforced PP	1
	Disc Cartridge (150 Mesh)	14130010		
7	Cartridge O-Ring	50010087	NBR	1
8	Barrel	12490116	Glass reinforced PP	1
9	3/4"x3/4" FXM Ball Valve	19070001	PP	1
10	3/4" Vacuum Breaker	25100051	Glass reinforced PP	1
11	Hybrid Clamp (SS Long Handle)	14050038	Glass reinforced PA	1



3" Disc Filter (Model 136 TS - 40 m ³ /hr)				
AIPL CODE	DESCRIPTION	INLET/OUTLET	CONNECTION SIZE	MICRON /MESH
14340005	3" Disc Filter T-Type (With SS Clamp) 120 Mesh	Male Thread NPT	3"	130/120
14010008	3" Disc Filter T-Type (With SS Clamp) 120 Mesh	Male Thread BSP	3"	130/120
14420003	3" Disc Filter T-Type (With SS Clamp) 120 Mesh	Victaulic Connection	3"	130/120
SPARE PARTS				
S. NO	PARTS NAME	PART CODE	MATERIAL	QTY
1	Plain Body (BSP Thread)	12490001	Glass reinforced PP	1
	Plain Body (NPT Thread)	12490185		
	Plain Body (Victaulic Connection)	12490006		
2	Gasket	50030031	NBR	1
3	Brass Bush	50100033	Brass	3
4	End Cap (BSP Thread)	12490009	Glass reinforced PP	1
	End Cap (NPT Thread)	12490010		
5	End Cap O-Ring	50010039	NBR	1
6	Disc Cartridge (120 Mesh)	14130004	Glass reinforced PP	1
	Disc Cartridge (150 Mesh)	14130010		
7	Cartridge O-Ring	50010087	NBR	1
8	Barrel	12490116	Glass reinforced PP	1
9	3/4"x3/4" MXM Mini Valve (Red Knob)	19030017	POM	1
10	SS Clamp (Long Handle)	14010060	SS 304	1

T Type Disc Filters

AQ-136T(HC)



AQ-136T



Max. Operating Pressure	8 Kg/cm ²
Clamp Material	Nylon Reinforced
Vacuum Breaker	For upside up installation
Drain port location	Front of the filter Body
Flow passes through outside to inside of Disc stake.	

Max. Operating Pressure	10 Kg/cm ²
Clamp Material	Stainless Steel
Vacuum Breaker	Not fit with this design
Drain port location	Below the Filter barrel
Flow passes through outside to inside of Disc stake.	

Specifications	AQ-136T(HC) & AQ-136T	
	US Standard	Metric Standard
Inlet / outlet	3" NPT	3" BSP
Range of Flow Rate	200-230 GPM	45-52 m ³ /hr
Nominal Flow Rate	220 GPM	50 m ³ /hr
Filtration Surface Area	262 in ²	1690cm ²
Material of Construction	Polypropylene Glass Reinforced	
Material of Disc	Polypropylene Disc	
Cartridge Diameter	5.2 Inches	131mm
Cartridge Length	20.7 Inches	525mm
Available Mesh	120, 150	120, 150

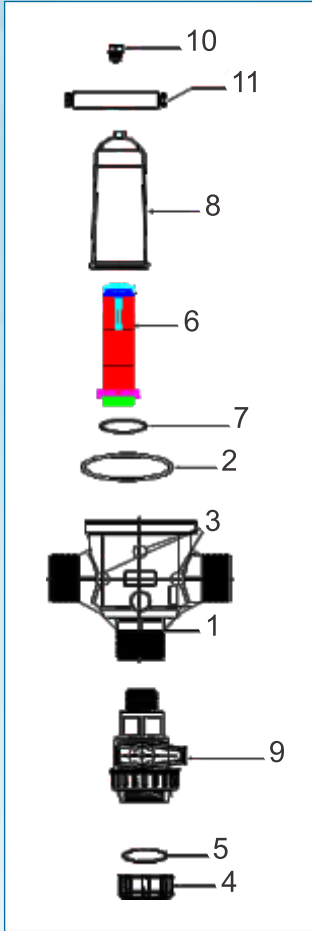
Filtering Element

- 120 Mesh
- 150 Mesh

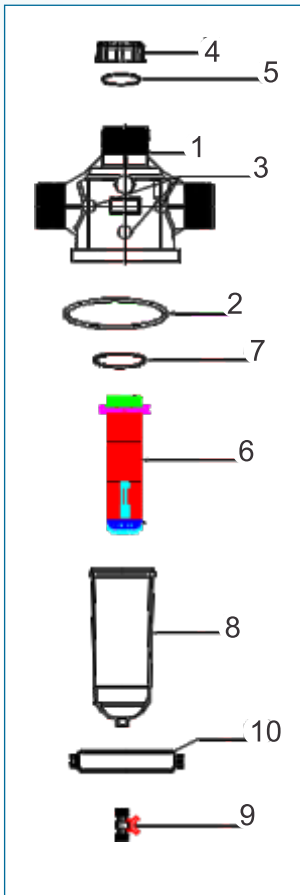
Flow Loss : AQ-136T

Flow m ³ /hr	36	45	50	52
Pressure Loss kg/cm ²	0.15	0.24	0.3	0.33
Flow GPM	158	200	220	230
Pressure Loss PSI	2.05	3.62	4.26	4.82

T Type Disc Filters



3" Disc Filter [Model 136 T (HC) - 50 m ³ /hr]				
AIPL CODE	DESCRIPTION	INLET/OUTLET	CONNECTION SIZE	MICRON /MESH
14350032	3" Disc Filter T-Type (With Hybrid Clamp) 120 Mesh	Male Thread NPT	3"	130/120
14070088	3" Disc Filter T-Type (With Hybrid Clamp) 120 Mesh	Male Thread BSP	3"	130/120
14430004	3" Disc Filter T-Type (With Hybrid Clamp) 120 Mesh	Victaulic Connection	3"	130/120
SPARE PARTS				
S. NO	PARTS NAME	PART CODE	MATERIAL	QTY
1	Plain Body (BSP Thread)	12490001	Glass reinforced PP	1
	Plain Body (NPT Thread)	12490185		
	Plain Body (Victaulic Connection)	12490006		
2	Gasket	50030031	NBR	1
3	Brass Bush	50100033	Brass	3
4	End Cap (BSP Thread)	12490009	Glass reinforced PP	1
	End Cap (NPT Thread)	12490010		
5	End Cap O-Ring	50010039	NBR	1
6	Disc Cartridge (120 Mesh)	14010047	Glass reinforced PP	1
	Disc Cartridge (150 Mesh)	14010049		
7	Cartridge O-Ring	50010087	NBR	1
8	Barrel	12490007	Glass reinforced PP	1
9	3/4"x3/4" FXM Ball Valve	19070001	PP	1
10	3/4" Vacuum Breaker	25100051	Glass reinforced PP	1
11	Hybrid Clamp (SS Long Handle)	14050038	Glass reinforced PA	1



3" Disc Filter (Model 136 T - 50 m ³ /hr)				
AIPL CODE	DESCRIPTION	INLET/OUTLET	CONNECTION SIZE	MICRON /MESH
14340006	3" Disc Filter T-Type (With SS Clamp) 120 Mesh	Male Thread NPT	3"	130/120
14010007	3" Disc Filter T-Type (With SS Clamp) 120 Mesh	Male Thread BSP	3"	130/120
14420004	3" Disc Filter T-Type (With SS Clamp) 120 Mesh	Victaulic Connection	3"	130/120
SPARE PARTS				
S. NO	PARTS NAME	PART CODE	MATERIAL	QTY
1	Plain Body (BSP Thread)	12490001	Glass reinforced PP	1
	Plain Body (NPT Thread)	12490185		
	Plain Body (Victaulic Connection)	12490006		
2	Gasket	50030031	NBR	1
3	Brass Bush	50100033	Brass	3
4	End Cap (BSP Thread)	12490009	Glass reinforced PP	1
	End Cap (NPT Thread)	12490010		
5	End Cap O-Ring	50010039	NBR	1
6	Disc Cartridge (120 Mesh)	14010047	Glass reinforced PP	1
	Disc Cartridge (150 Mesh)	14010049		
7	Cartridge O-Ring	50010087	NBR	1
8	Barrel	12490007	Glass reinforced PP	1
9	3/4"x3/4" MXM Mini Valve (Red Knob)	19030017	POM	1
10	SS Clamp (Long Handle)	14010060	SS 304	1

Semi Automatic Screen Filters

AQ-124TSA



AQ-126TSA



*2 1/2", 30 m3/hr is also available

Specifications	AQ-124TSA		AQ-126TSA	
	US Standard	Metric Standard	US Standard	Metric Standard
Inlet / outlet	2" NPT	2" BSP	3" NPT	3" BSP
Maximum Operating Pressure	145 PSI	10 Kg/cm ²	145 PSI	10 Kg/cm ²
Range of Flow Rate	80-120 GPM	18-27 m ³ /hr	155-185 GPM	35-42 m ³ /hr
Nominal Flow Rate	110 GPM	25 m ³ /hr	175 GPM	40m ³ /hr
Filtration Surface Area	86 in ²	554cm ²	129 in ²	831cm ²
Material of Construction	Polypropylene Glass Reinforced		Polypropylene Glass Reinforced	
Filtering Cartridge	316 Grade Stainless Steel Screen		316 Grade Stainless Steel Screen	
Cartridge Diameter	4.7 Inches	118mm	4.7 Inches	118mm
Cartridge Length	9.9 Inches	252mm	14.9 Inches	378mm
Available Mesh	120, 130	120, 130	120, 130	120, 130

Filtering Element

120 Mesh

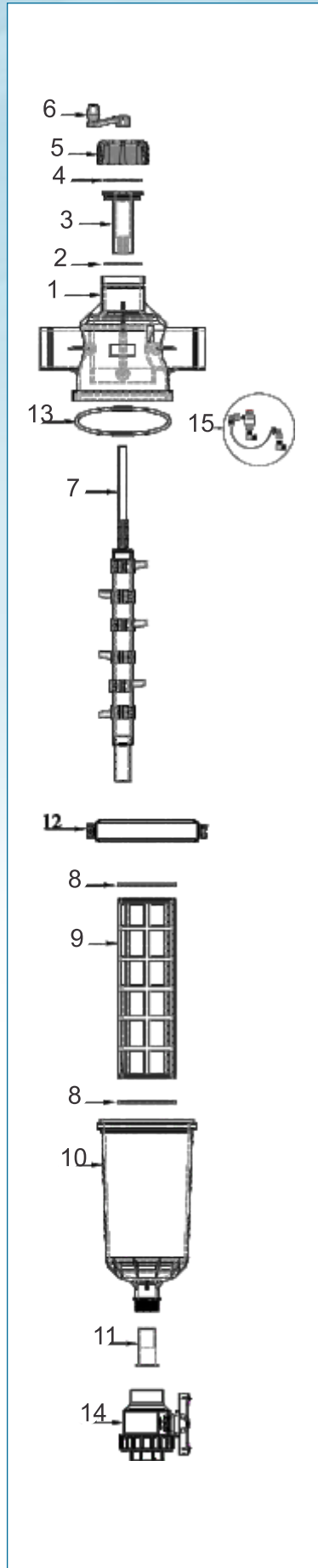
130 Mesh

	Flow Loss			
Flow m ³ /hr	18	25	27	32.4
Pressure Loss kg/cm ²	0.16	0.26	0.29	0.36
Flow GPM	80	110	120	143
Pressure Loss PSI	2.33	3.69	4.31	5.19

	Flow Loss			
Flow m ³ /hr	35	40	42	50.4
Pressure Loss kg/cm ²	0.18	0.28	0.34	0.48
Flow GPM	155	175	185	222
Pressure Loss PSI	2.64	3.78	4.86	6.88

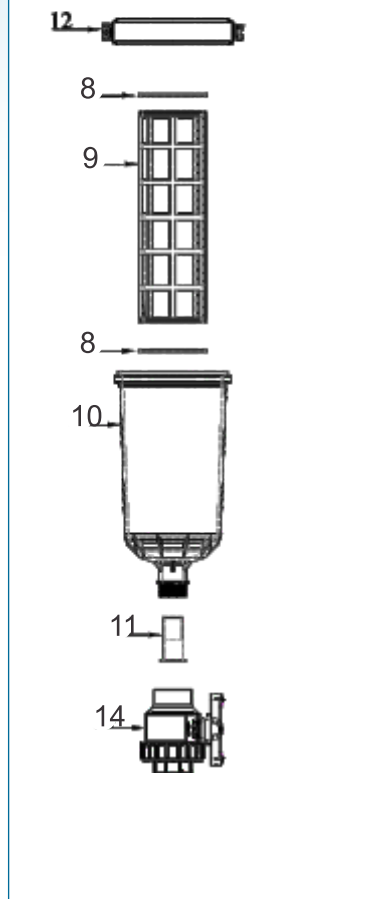
2" SEMI AUTOMATIC FILTER (Model 124TSA - 25 m3/hr)

AIPL CODE	DESCRIPTION	INLET/OUTLET	CONNECTION SIZE	MICRON /MESH
14380001	2" Semi Automatic Screen Filter T - Type (With SS Clamp) 120 Mesh	Thread NPT	2"	130/120
14090001	2" Semi Automatic Screen Filter T - Type (With SS Clamp) 120 Mesh	Thread BSP	2"	130/120
14480001	2" Semi Automatic Screen Filter T - Type (With SS Clamp) 120 Mesh	Victaulic Connection	2"	130/120
SPARE PARTS				
S. NO	PARTS NAME	PART CODE	MATERIAL	QTY
1	Body (BSP Thread)	12490162	Glass reinforced PP	1
	Body (NPT Thread)	12490101		
	Body (Victaulic Connection)	12490104		
2	Drive Bush O-ring	50010062	NBR	1
3	Drive Bush	12500001	Glass reinforced PP	1
4	End Cap O-ring	50010043	NBR	1
5	End Cap (BSP Thread)	12500012	Glass reinforced PP	1
	End Cap (NPT Thread)	12500024		
6	Handle Assy	14000018	POM	1
7	2"-Suction Scanner Assy	14000020	Glass reinforced PA	1
8	Cartridge O-ring	50010055	NBR	2
9	Cartridge 120 Single Mesh	12500008	Glass reinforced PA	1
10	Body Cap	12500009	Glass reinforced PP	1
11	Body Cap Bush	12500011	POM	1
12	SS Clamp Assy	14000021	SS-304	1
13	Filter Body Gasket	50030031	EPDM	1
14	1.5" -S.U Ball Valve -BSP-AQUA	19070364	PVC	1
	1.5" -S.U Ball Valve -NPT-AQUA	19070365		
15	Pressure Indicator Assy	14000019	Glass reinforced PP	1



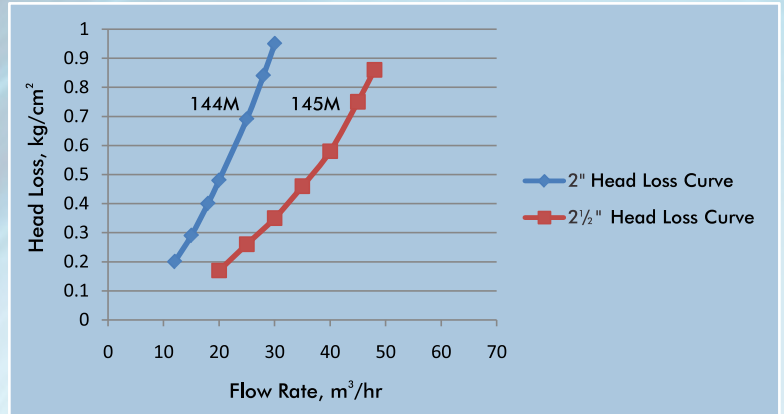
3" SEMI AUTOMATIC FILTER (Model 126TSA - 40 m3/hr)

AIPL CODE	DESCRIPTION	INLET/OUTLET	CONNECTION SIZE	MICRON /MESH
14380003	3" Semi Automatic Screen Filter T - Type (With SS Clamp) 120 Mesh	Thread NPT	3"	130/120
14090003	3" Semi Automatic Screen Filter T - Type (With SS Clamp) 120 Mesh	Thread BSP	3"	130/120
14480002	3" Semi Automatic Screen Filter T - Type (With SS Clamp) 120 Mesh	Victaulic Connection	3"	130/120
SPARE PARTS				
S. NO	PARTS NAME	PART CODE	MATERIAL	QTY
1	Body (BSP Thread)	12490161	Glass reinforced PP	1
	Body (NPT Thread)	12490185		
	Body (Victaulic Connection)	12490006		
2	Drive Bush O-ring	50010041	NBR	1
3	Drive Bush	12500001	Glass reinforced PP	1
4	End Cap O-ring	50010039	NBR	1
5	End Cap (BSP Thread)	12500013	Glass reinforced PP	1
	End Cap (NPT Thread)	12490169		
6	Handle Assy	14000018	POM	1
7	3"-Suction Scanner Assy	14000023	Glass reinforced PA	1
8	Cartridge O-ring	50010040	NBR	2
9	Cartridge 120 Single Mesh	12500007	Glass reinforced PP	1
10	Body Cap	12500010	Glass reinforced PP	1
11	Body Cap Bush	12500011	POM	1
12	Ss Clamp Assy	14000021	SS-304	1
13	Filter Body Gasket	50030031	EPDM	1
14	1.5" -S.U Ball Valve -BSP-AQUA	19070364	PVC	1
	1.5" -S.U Ball Valve -NPT-AQUA	19070365		
15	Pressure Indicator Assy	14000019	Glass reinforced PP	1

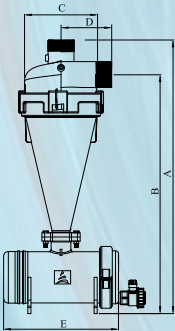


Hydrocyclone Filters

AQ-144



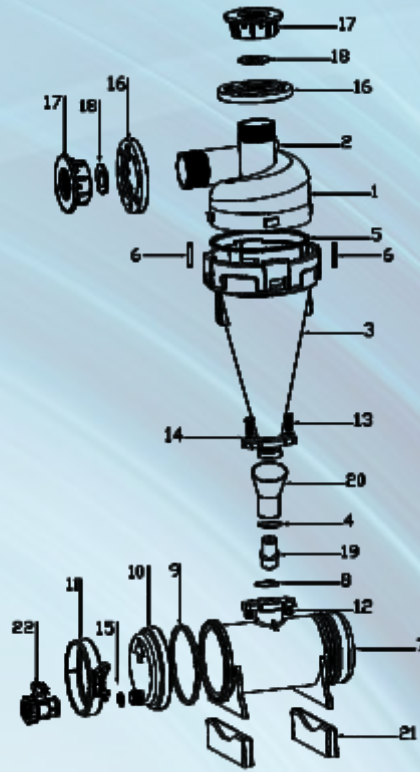
Specifications	AQ-144	
	US Standard	Metric Standard
Inlet / outlet	2" NPT	2" BSP
Maximum Operating Pressure	110 PSI	8 Kg/cm ²
Range of Flow Rate	65-110 GPM	15-25 m ³ /hr
Nominal Flow Rate	110 GPM	25 m ³ /hr
Material of Construction	Polyamide Reinforced	



Performance Data										
Model No.	Inlet / Outlet Inch/mm	Rec. Range of Flow Rate, m ³ /hr	Nominal Flow Rate m ³ /hr	Dimensions (mm)					Capacity of Underflow Chamber (ltr)	Gross Weight
				A	B	C	D	E		
144	2" / 50	15-25	25	940	808	206	151	395	8	7.6 kg.
145	2 1/2" / 65	25-40	30	940	815	206	151	395	8	7.8 kg.

***2 1/2", 30 m³/hr (AQ-145) is also available**

Hydrocyclone Filters

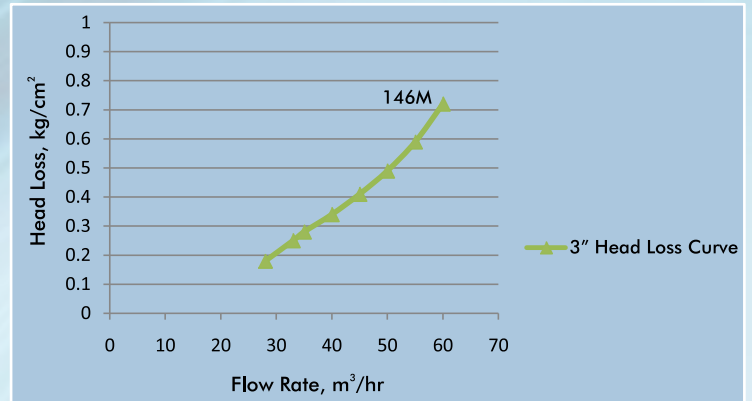


2" Hydrocyclone Filter (Model 144 M - 25 m³/hr)

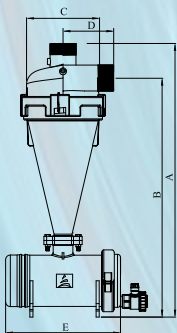
AIPL CODE	DESCRIPTION	INLET/OUTLET	CONNECTION SIZE	
14110006	2" Hydro Cyclone Filter 2 Nos Slip On Flanges (STD.) NPT, SS Clamp	Thread NPT	2"	
14110001	2" Hydro Cyclone Filter 2 Nos Slip On Flanges (STD.) BSP, SS Clamp	Thread BSP	2"	
14110013	2" Hydro Cyclone Filter Victaulic, SS Clamp	Victaulic Connection	2"	
SPARE PARTS				
S. NO	PARTS NAME	PART CODE	MATERIAL	QTY
1	Body (BSP Thread)	12550001	Glass reinforced PA	1
	Body (NPT Thread)	12550024		
2	Brass Bush	50100033	Brass	2
3	Cone	12550002	Glass reinforced PP	1
4	Cone O-Ring Small	50010088	NBR	1
5	Cone Main O-Ring	50030009	NBR	1
6	SS Lock Pin	50100035	SS-304	2
7	Collector Tank (8 Ltr.)	12550007	Glass reinforced PP	1
8	Collector Tank O-Ring (2" End Cap O-ring)	50010043	NBR	1
9	Collector Tank Gasket	50030006	NBR	1
10	Collector Tank Cap	12550008	Glass reinforced PP	1
11	SS Clamp	14010060	SS-304	1
12	Nut (10 MM)	50060013	SS-304	2
13	Bolt (10 X 50)	50060002	SS-304	2
14	Washer (10 MM)	50020006	SS-304	4
15	1" Ball Valve Rubber Washer (2" VI Rotameter Washer)	50020010	NBR	1
16	Slip On Flange	12550016	Glass reinforced PP	2
17	Slip On Socket (BSP Thread)	12550039	Glass reinforced PP	2
	Slip On Socket (NPT Thread)	12550052		
18	Slip On Flange Rubber Washer	50010063	NBR	2
19	Damper	12550035	POM	1
20	Cone Sleeve	12550033	TPU	1
21	Tank Stand Small	12270030	Glass reinforced PP	1
22	1" FXF Ball Valve	19070006	PVC	1

Hydrocyclone Filters

AQ-146

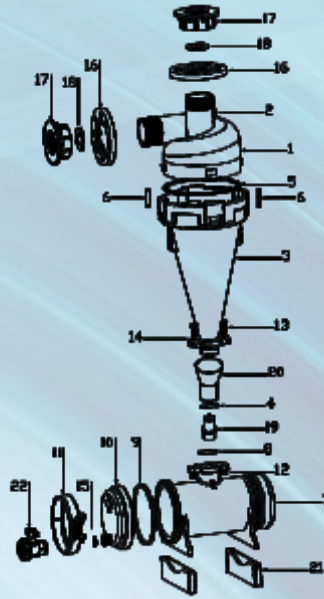


Specifications	AQ-146	
	US Standard	Metric Standard
Inlet / outlet	3" NPT	3" BSP
Maximum Operating Pressure	110 PSI	8 Kg/cm ²
Range of Flow Rate	155-230 GPM	35-52 m ³ /hr
Nominal Flow Rate	220 GPM	50 m ³ /hr
Body Material	Polyamide Reinforced	



Performance Data										
Model No.	Intel / Outlet Inch/mm	Rec. Range of Flow Rate, m ³ /hr	Nominal Flow Rate m ³ /hr	Dimensions (mm)					Capacity of Underflow Chamber (ltr)	Gross Weight
				A	B	C	D	E		
146	3" / 80	35-52	50	990	868	248	175	395	8	9.4 kg.
			50	990	868	248	175	482	10	9.6 kg.

Hydrocyclone Filters



3" Hydrocyclone Filter (Model 146 M - 50 m3/hr)

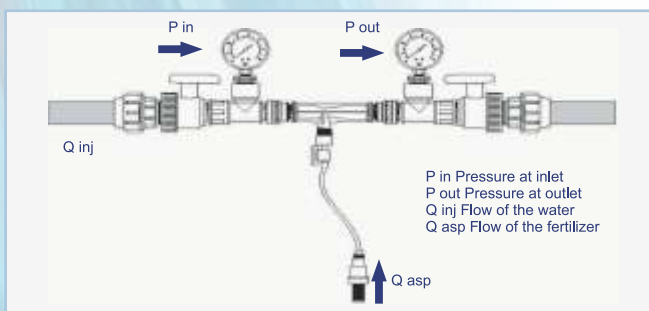
AIPL CODE	DESCRIPTION	INLET/OUTLET	CONNECTION SIZE	
14110008	3" Hydro Cyclone Filter 2 Nos Slip On Flanges (STD.) NPT, SS Clamp	THREAD NPT	3"	
14110003	3" Hydro Cyclone Filter 2 Nos Slip On Flanges (STD.) BSP, SS Clamp	THREAD BSP	3"	
14110012	3" Hydro Cyclone Filter Victaulic, SS Clamp	Victaulic Connection	3"	
SPARE PARTS				
S. NO	PARTS NAME	PART CODE	MATERIAL	QTY
1	Body (BSP Thread)	12550004	Glass reinforced PA	1
	Body (NPT Thread)	12550005		
2	Brass Bush	50100033	Brass	2
3	Cone	12550006	Glass reinforced PP	1
4	Cone O-Ring Small	50010088	NBR	1
5	Cone Main O-Ring	50030009	NBR	1
6	SS Lock Pin	50100035	SS-304	2
7	Collector Tank (8 Ltr)	12550007	Glass reinforced PP	1
	Collector Tank (10 Ltr)	12270025	Glass reinforced PA	
8	Collector Tank O-Ring (2" End Cap O-ring)	50010043	NBR	1
9	Collector Tank Gasket	50030006	NBR	1
10	Collector Tank Cap	12550008	Glass reinforced PP	1
11	SS Clamp	14010060	SS-304	1
12	Nut (10 MM)	50060013	SS-304	2
13	Bolt (10 x 50)	50060002	SS-304	2
14	Washer (10 MM)	50060006	SS-304	4
15	1" Ball Valve Rubber Washer (2" VI Rotameter Washer)	50020010	NBR	1
16	Slip On Flange	12550013	Glass reinforced PP	2
17	Slip On Socket (BSP Thread)	12550046	Glass reinforced PP	2
	Slip On Socket (NPT Thread)	12550049		
18	Slip On Flange Rubber Washer	50020043	NBR	2
19	Damper	12550037	POM	1
20	Cone Sleeve	12270027	TPU	1
21	Tank Stand Big	12270026	Glass reinforced PP	2
	Tank Stand Small	12270030		
22	1" FXF Ball Valve	19070006	PVC	1

Venturi Injector

AQ-112RS & AQ-113RS



Typical Installation

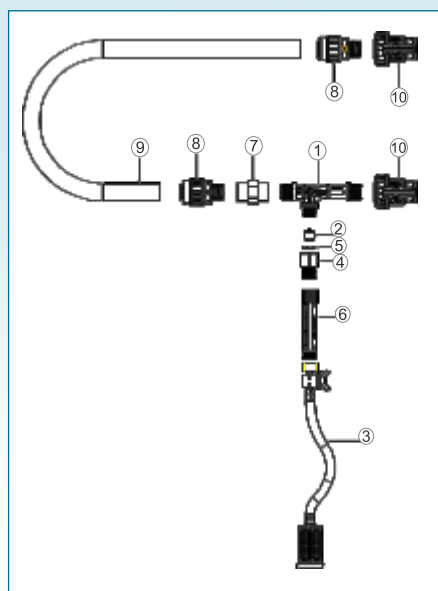


Performance Data

Pressure		$\frac{3}{4}$ " Venturi Injector (Model 112)		1" Venturi Injector (Model 113)	
P. in	P. out	Q inj	Q asp	Motive Flow	Water Suction
Inlet Pressure kg/cm ²	Outlet Pressure kg/cm ²	Motive Flow L/H	Water Suction L/H	L/H	L/H
0.5	0	750	200	2200	300
0.75	0	856	200	2640	300
1	0	983	200	3000	300
	0.25		150		300
	0.5		150		200
1.5	0	1195	200	3500	300
	0.5		200		300
	0.75		180		180
	1		50		80
2	0	1356	200	4290	300
	0.5		200		300
	0.75		180		260
	1		170		219
	1.25		120		162
2.5	1.5		40		29
	0	1527	200	4645	300
	0.5		200		300
	0.75		200		300
	1		200		292
	1.25		160		240
3	1.5		150		152
	1.75		80		78
	0	1671	200	5065	300
	1		200		300
	1.25		200		240
	1.5		200		256
	1.75		175		210
	2		150		150
3.5	2.25		60		60
	0	1783	200	5370	300
	1		200		300
	1.5		200		250
	1.75		200		240
	2		190		216
	2.25		150		120
	2.5		100		81
4	2.75		40		20
	0	1907	200	5720	300
	1		200		300
	2		200		290
	2.25		170		200
	2.5		160		179
	2.75		120		118
3		50		56	

*The test carried out by using water as suction liquid.

Venturi Injector



AQ-112RS			
ITEM CODE	MODEL NO	DESCRIPTION	CONNECTION SIZE
20030001	112	3/4" Venturi With Suction Port	3/4" BSP (25mm)
20030006	112	3/4" Venturi With Suction Port	3/4" NPT(25mm)
20010001	112R	3/4" Venturi With Suction Port & Rotameter	3/4" BSP (25mm)
20010006	112R	3/4" Venturi With Suction Port & Rotameter	3/4" NPT(25mm)
20060014	112S	3/4" Venturi Assy With Suction Port	3/4" BSP (25mm)
20060015	112S	3/4" Venturi Assy With Suction Port	3/4" NPT(25mm)
20050019	112RS	3/4" Venturi Assy With Suction Port & Rotameter	3/4" BSP (25mm)
20050020	112RS	3/4" Venturi Assy With Suction Port & Rotameter	3/4" NPT(25mm)

SPARE PARTS				
S. NO	PARTS NAME	PART CODE	MATERIAL	QTY
1	Body (BSP Thread) Black	12440002	Glass reinforced PP	1
	Body (NPT Thread) Black	12440002		
2	NRV	20000006	PP	1
3	Suction Port Assy	20000001	Glass reinforced PP	1
4	Adaptor	12460020	Glass reinforced PP	1
5	Adaptor Washer	50020009	NBR	1
6	Rotameter Assy	20000009	PP	1
7	3/4"x3/4" FXF Threaded Socket	12440001	Glass reinforced PP	1
8	25 MM MTA Body (C.F)	12480016	PP	2
9	Flexible PVC Braided Pipe (20X25)MM (LENGTH -950 mm)	50100004	FLEXIBLE PVC	1
10	3/4" FXF Ball Valve	19070002	PVC	2
	3/4" MXF Ball Valve	19070001		

AQ-113RS			
ITEM CODE	MODEL NO	DESCRIPTION	CONNECTION SIZE
20030002	113	1" Venturi With Suction Port	1" BSP (32mm)
20030007	113	1" Venturi With Suction Port	1" NPT(32mm)
20010002	113R	1" Venturi With Suction Port & Rotameter	1" BSP (32mm)
20010007	113R	1" Venturi With Suction Port & Rotameter	1" NPT(32mm)
20060016	113S	1" Venturi Assy With Suction Port	1" BSP (32mm)
20060017	113S	1" Venturi Assy With Suction Port	1" NPT(32mm)
20050021	113RS	1" Ventury Assy With Suction Port & Rotameter	1" BSP (32mm)
20050022	113RS	1" Ventury Assy With Suction Port & Rotameter	1" NPT(32mm)

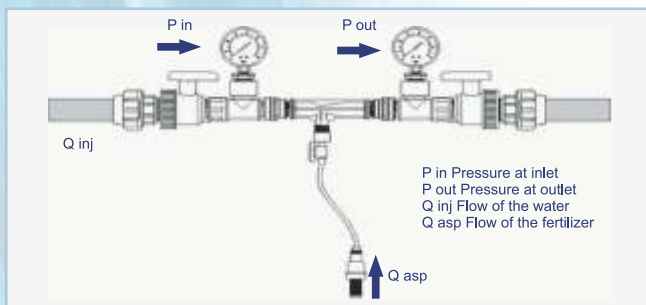
SPARE PARTS				
S. NO	PARTS NAME	PART CODE	MATERIAL	QTY
1	Body (BSP Thread) Black	12420001	Glass reinforced PP	1
	Body (NPT Thread) Black	12420011		
2	NRV	20000006	PP	1
3	Suction Port Assy	20000001	Glass reinforced PP	1
4	Adaptor	12460018	Glass reinforced PP	1
5	Adaptor Washer	50020009	NBR	1
6	Rotameter Assy	20000011	PP	1
7	1"x1" FXF Threaded Socket	12440001	Glass reinforced PP	1
8	32 MM MTA Body (C.F)	12470007	PP	2
9	Flexible PVC Braided Pipe (20X25)MM (LENGTH -950 mm)	50100003	FLEXIBLE PVC	1
10	1" FXF Ball Valve	19070006	PVC	2
	1" MXF Ball Valve	19070005		

Venturi Injector

AQ-114RS



Typical Installation

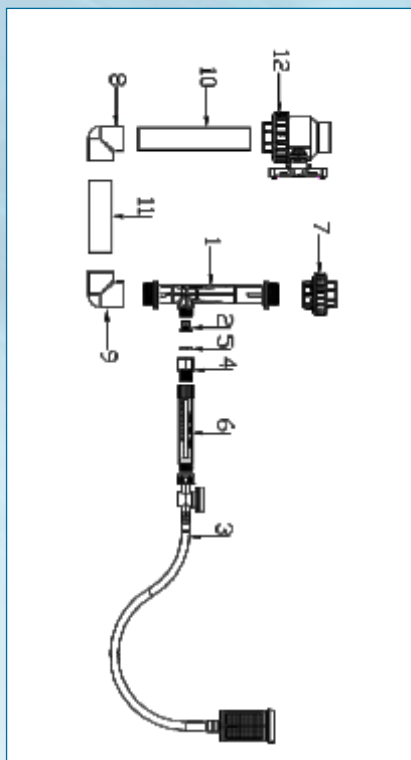


*The test carried out by using water as suction liquid.

Performance Data

Pressure		1-1/2" Venturi Injector (Model 114)	
P. in	P. out	Q inj	Q asp
Inlet Pressure kg/cm ²	Outlet Pressure kg/cm ²	Motive Flow L/H	Water Suction L/H
0.5	0	3238	698
0.75	0	3902	798
1	0	4532	808
	0.25		780
	0.5		506
1.5	0	5712	811
	0.5		802
	0.75		631
	1		317
2	0	6590	814
	0.5		808
	0.75		808
	1		719
	1.25		518
2.5	1.5		215
	0	7428	814
	0.5		808
	0.75		808
	1		806
	1.25		768
	1.5		594
3	1.75		371
	2		112
	0	8163	812
	1		807
	1.25		807
	1.5		795
	1.75		712
	2		502
3.5	2.25		284
	0	8814	822
	1		820
	1.5		811
	1.75		808
	2		761
	2.25		575
	2.5		356
4	2.75		186
	0	9422	821
	1		808
	2		804
	2.25		793
	2.5		678
	2.75		492
	3		268
4.5	3.25		112
	0	9918	826
	1		814
	2		811
	2.5		794
	2.75		725
	3		558
5	3.25		406
	3.5		216
	3.75		66
	0	10471	827
	1		814
	2		814
	3		796
	3.25		686
	3.5		505
	3.75		358
	4		168

Venturi Injector



AQ-114RS

ITEM CODE	MODEL NO	DESCRIPTION	CONNECTION SIZE
20030003	114	1.5" Venturi With Suction Port	1.5" BSP (50 mm)
20030008	114	1.5" Venturi With Suction Port	1.5" NPT(50 mm)
20010003	114R	1.5" Venturi With Suction Port & Rotameter	1.5" BSP (50 mm)
20010008	114R	1.5" Venturi With Suction Port & Rotameter	1.5" NPT(50 mm)
20060003	114S	1.5" Venturi Assy With Suction Port	1.5" BSP (50 mm)
20060008	114S	1.5" Venturi Assy With Suction Port	1.5" NPT(50 mm)
20050003	114RS	1.5" Venturi Assy With Suction Port & Rotameter	1.5" BSP (50 mm)
20050008	114RS	1.5" Venturi Assy With Suction Port & Rotameter	1.5" NPT(50 mm)

SPARE PARTS

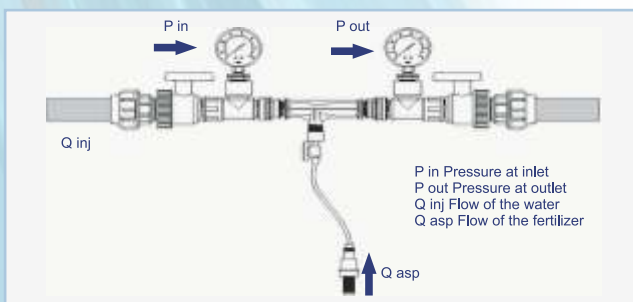
S. NO	PARTS NAME	PART CODE	MATERIAL	QTY
1	Body (BSP Thread) Black	12430002	Glass reinforced PP	1
	Body (NPT Thread) Black	12430003		
2	NRV	20000014	Glass reinforced PP	1
3	Suction Port Assy	20000003	Glass reinforced PP	1
4	Adaptor	12430008	PP	1
5	Adaptor Washer	50020011	NBR	1
6	Rotameter Assy	20000012	Glass reinforced PP	1
7	Union 50 MM(TXT)	12000002	PVC	1
8	Elbow 50MM (PXP)	12230048	PVC	1
9	Elbow 50MM (TXP)	12430007	PVC	1
10	Pipe 50MM (LENGTH -600 mm)	50100007	PVC	1
11	Pipe 50MM (275 mm)	50100007	PVC	1
12	50 mm SU Ball Valve (PXT)	19070508	PVC	1

Venturi Injector

AQ - 115RS



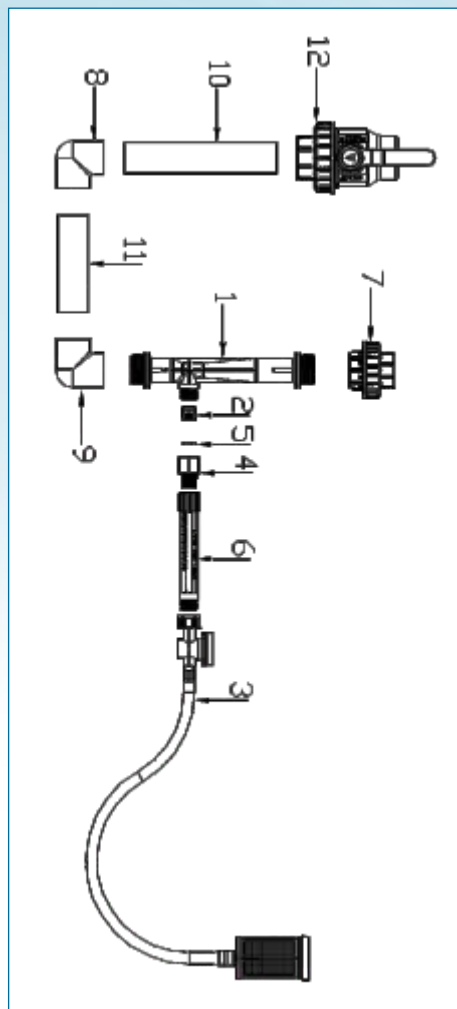
Typical Installation



Performance Data					
Pressure		2" venturi Injector Low Flow (Model 115LF)		2" venturi Injector High Flow (Model 115HF)	
P. in	P. out	Q inj	Q asp	Q inj	Q asp
Kg/cm2	Kg/cm2	Motive Flow L/H	Water Suction L/H	Motive Flow L/H	Water Suction L/H
0.5	0	3141	800	10320	2000
0.75	0	3924	835	12300	2000
	0	4697	850	14400	2000
1	0.25		700		1900
	0.5		400		1800
1.5	0	5741	900	16800	2000
	0.5		700		1980
	0.75		400		1500
2	1		150		1900
	0	6598	900	18900	2000
	0.5		810		2000
	0.75		710		1800
	1		500		1500
2.5	1.25		271		1020
	1.5		200		600
	0	7346	900	20100	2000
	0.5		900		2000
	0.75		890		1980
	1		800		1580
	1.25		750		1500
3	1.5		400		1080
	1.75		250		720
	2		200		N/S
	0	8041	900	22500	2000
	1		900		2000
	1.25		850		2000
	1.5		750		1620
	1.75		450		1500
	2		250		840
	2.25		200		520
3.5	2.5		150		N/S
	0	8688	900	24300	2000
	1		900		2000
	1.5		850		2000
	1.75		750		1800
	2		450		1580
	2.25		300		1490
	2.5		250		860
4	2.75		200		N/S
	0	9290	900	25800	2000
	1		900		2000
	2		800		1500
	2.25		700		1400
	2.5		400		1020
	2.75		200		840
	3		150		580
4.5	3.25		100		N/S
	0	9841	900	26400	2000
	1		900		2000
	2		880		2000
	2.5		800		1700
	2.75		500		1500
	3		300		500
	3.25		250		350
5	3.5		200		N/S
	3.75		150		N/S
	0	10397	900	28500	2000
	1		900		2000
	2		850		2000
	3		700		1900
	3.25		500		1400
	3.5		310		700
5.5	3.75		250		400
	4		200		N/S
	4.25		150		N/S
	0	10866	900	30000	2000
	1		900		2000
	2		900		2000
	3		850		1800
	3.25		700		1800
6	3.5		550		1000
	3.75		450		900
	4		320		800
	4.25		270		200
	4.5		200		N/S
	4.75		150		N/S
	0	11171	900	32000	2000
	1		900		2000
6	2		900		2000
	3		850		1900
	4		700		1800
	4.25		600		700
	4.5		510		500
	4.75		400		N/S
5		250		N/S	

*The test carried out by using water as suction liquid.

Venturi Injector



AQ-115RS

ITEM CODE	MODEL NO	DESCRIPTION	CONNECTION SIZE
20030004	115	2" Venturi With Suction Port (L.F)	2" BSP (63 mm)
20030005	115	2" Venturi With Suction Port (H.F)	2" BSP (63 mm)
20030009	115	2" Venturi With Suction Port (L.F)	2" NPT(63 mm)
20030010	115	2" Venturi With Suction Port(H.F)	2" NPT(63 mm)
20010004	115R	2" Venturi With Suction Port & Rotameter(L.F)	2" BSP (63 mm)
20010005	115R	2" Venturi With Suction Port & Rotameter(H.F)	2" BSP (63 mm)
20010009	115R	2" Venturi With Suction Port & Rotameter(L.F)	2" NPT(63 mm)
20010010	115R	2" Venturi With Suction Port & Rotameter(H.F)	2" NPT(63 mm)
20060004	115S	2" Venturi Assy with Suction Port (L. F)	2" BSP (63 mm)
20060019	115S	2" Venturi Assy with Suction Port (L. F)	2" BSP (63 mm)
20060009	115S	2" Venturi Assy with Suction Port (L. F)	2" NPT(63 mm)
20060010	115S	2" Venturi Assy with Suction Port (L. F)	2" NPT(63 mm)
20050004	115RS	2" Venturi Assy With Suction Port & Rotameter(L.F)	2" BSP (63 mm)
20050005	115RS	2" Venturi Assy With Suction Port & Rotameter(H.F)	2" BSP (63 mm)
20050009	115RS	2" Venturi Assy With Suction Port & Rotameter(L.F)	2" NPT(63 mm)
20050010	115RS	2" Venturi Assy With Suction Port & Rotameter(H.F)	2" NPT(63 mm)

SPARE PARTS

S. NO	PARTS NAME	PART CODE	MATERIAL	QTY
1	VI Body LF (BSP) Black	12450003	Glass reinforced PP	1
	VI Body LF(NPT) Black	12450004		
	VI Body HF (BSP) Black	12450001		
	VI Body HF(NPT) Black	12450002		
2	NRV	20000005	Glass reinforced PP	1
3	Suction Port Assy	20000004	Glass reinforced PP	1
4	Adaptor	12450016	PP	1
5	Adaptor Washer	50020010	NBR	1
6	Rotameter Assy	20000008	Glass reinforced PP	1
7	Union 63MM (TXT)	19070531	PVC	1
8	Elbow (PXP)63MM	12240030	PVC	1
9	Elbow 63MM(PXT)	12240029	PVC	1
10	Pipe 63MM (LENGTH-580 mm)	50100002	PVC	1
11	Pipe 63MM (LENGTH-310 mm)	50100002	PVC	1
12	2" Long Blue Handle Ball Valve (PXT) S.U	19070528	PVC	1

Warranty & Disclaimer

Automat products are warranted for one year from date of original sale to be free of defective materials and workmanship when used within the working specifications for which the product was designed and under normal use and service. The manufacturer assumes no responsibility for installation, removal or unauthorized repair. The manufacturer's liability under this warranty is limited solely to replacement or repair of defective parts, and the manufacturer will not be liable for any crop or other consequential damages resulting from any defects in design or breach of warranty.



18-19, Dilshad Garden, G T Road, New Delhi-110095. (INDIA) Tel. : +91-11-43099800-01-02, 22583027, Fax : +91-11-22121035, 43099807

Website : www.automatworld.com : E-mail : contactus@automatworld.com



<https://www.facebook.com/automatindustries>



<https://www.youtube.com/automatindustries>



<https://twitter.com/automat2014>