

Creating a Green World

PRODUCT CATALOGUE | 2017



INDEX

Sr. No.	Content	Page No.
1	Impact Sprinklers	4
2	Part Circle Sprinklers	5
3	Water Guns New	6
4	Mini Sprinklers New	7
5	Aquajet (HT-201) New	8
6	Aquatuff (HT-205)	9
7	Aquamic (HT-210) New	10
8	Aquamic Inverted (HT-210)	11
9	Aquamic Excel (HT-211) New	12
10	Aquafly (HT-220)	13
11	Micro Sprinkler Accessories	14
12	Aquafog (HT-250)	15
13	Semi Automatic Screen Filter	16
14	Y Type Screen Filters	17
15	Y Type Manual Disc Filters New	18-19
16	T Type Screen Filters	20
17	T Type Disc Filter	21
18	Double Body Screen Filter New	22
19	Double Body Disc Filter New	23
20	Eco Screen Filter New	24
21	Eco Disc Filter New	25
22	Hydrocyclone Filter	26-27
23	Venturi Injector	28-29
24	Single Union PVC Ball Valves	30
25	Double Union & Flanged PVC Ball Valves	31
26	Poly Valves (Compression x Threaded) New	32
27	Union PP Ball Valves	33
28	Flanged PP Ball Valves	34
29	Hybrid Butterfly Valve New	35
30	PVC Wafer Swing Check Valve New	36
31	Ball Type Check Valve - Kaveri (NRV) New	36
32	Premium Ball Type Check Valve - Harit (NRV)	37
33	Plastic Control (Throttle) Valve	38
34	Header Assembly	39-41
35	Plastic & Metal Air Release Cum Vacuum Relief Valves New	42-43
36	Irrigation Accessories New	44
37	Pressure Gauge	45
38	Compression Drip Fittings, Lateral Valves New	45
39	HT-AIC-10, Solenoid Valves	46
40	Aquadrip Automatic Watering System for Potted Plants	46
41	Turf Products (Quick Coupling Valves, Swing Joints)	47
42	Brass Hydraulic Control Valve with Pilot New	47

New Products Overview



Tri Pod Stand
Refer Page No. 6



Mini Sprinkler
Refer Page No. 7



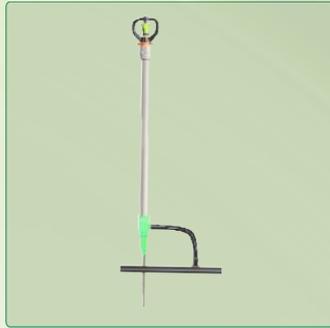
AquaJet
Refer Page No. 8



Range Rotor
Refer Page No. 10



Aquamic Excel
Refer Page No. 12



AquaFly
Refer Page No. 13



AquaFog
Refer Page No. 15



Y Type Manual Disc Filter
Refer Page No. 18-19



Double Body Screen & Disc Filters
Refer Page No. 22-23



Eco Screen & Disc Filters
Refer Page No. 24-25



Poly Valves
Refer Page No. 32



Hybrid Butterfly Valve 2"
Refer Page No. 35



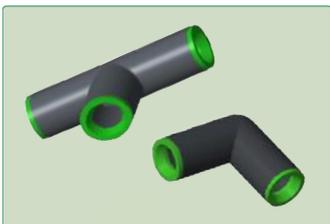
Wafer Swing Check Valve
Refer Page No. 36



Eco Ball Type Check Valve
Refer Page No. 36



1 1/2" Air Release Valve
Refer Page No. 42



Compression Drip Fittings
Refer Page No. 45

Brass Hydraulic Control Valve
with Pilot
Refer Page No. 47





एच टी 20 CML : 8205260

HT-20

- Available in 3/4" BSP Male Thread Connection
3/4" की बाहरी चूड़ी में उपलब्ध।
- Bronze Body & Arm, Brass Bearing Sleeve & Nipple.
ब्रॉज़ से बनी बॉडी व आर्म, ब्रास से बनी बियरिंग स्लीव व नट।



CM/L : 8205260



HT-5DN

- Available in 1/2" BSP Male Thread Connection
1/2" की बाहरी चूड़ी में उपलब्ध।
- Brass Body & Arm, Brass Bearing Sleeve & Nipple .
ब्रास से बनी बॉडी व आर्म, ब्रास से बनी बियरिंग स्लीव व नट।



CM/L : 8205260

HT-20B (BALWAN)

- Available in 3/4" BSP Male Threaded Connection.
3/4" की बाहरी चूड़ी में उपलब्ध।
- Zinc pressure die casted Arm & Body.
ज़िंक प्रेशर डाय् कास्टिंग से बने आर्म एवं बॉडी।
- PU pad for reducing wearing of Arm & body.
पी.यू पैड आर्म एवं बॉडी को टूटने से बचाएँ।
- Special grade Delrin material Arm Bush for long durability.
अधिक मजबूती के लिए उच्च क्वालिटी की डेलरिन से बनी आर्म बुश।



Mark of Genuinity - Saaras Hologram
असली सारस फ्लवरे की पहचान - सारस होलोग्राम



एच टी 46 CML : 8939410

HT-46 (SAARAS)

- Available in 3/4" BSP Male Threaded Connection.
3/4" की बाहरी चूड़ी में उपलब्ध।
- Body, Arm, Bearing & Nozzles made of engineering plastic (Delrin) for durability.
अधिक मजबूती के लिये उच्च क्वालिटी की इंजिनियरिंग प्लास्टिक (डेलरिन) से बनी बॉडी, आर्म एवं नोज़ल।
- Specially Designed Bayonet Nozzles.
खास तौर पर डिज़ाईन किये गये लॉकेबल नोज़ल।
- Stainless steel Springs & Pivot pin.
स्टेनलेस स्टील से बने स्प्रिंग एवं पिवट पिन।

Other Available Models
अन्य उपलब्ध मॉडल



	HT-5DN	HT-5LA7	HT-20	HT-46	HT-25	HT-30	HT-40M
Nozzle (mm) नोज़ल (मिमी)	3.5 X 2.5	2.38	5.15 x 3.17	5.15 x 3.17	5.55 x 3.17	7.93 x 5.55	10.32 x 5.55
Pressure (kg/cm ²) प्रेशर (किग्रा/सेमी ²)	2	2	2	2	2	2.5	2.5
Radius (mtr) रेडियस (मिटर)	11	7	12.6	14.35	14.55	20	21.5
Discharge (ltr/min) डिस्चार्ज (लि/मिनट)	17.4	5.25	32	32.00	37.30	86.30	155.30



HT-20PC

- Available in 3/4" BSP Male Thread Connection
3/4" की बाहरी चूड़ी में उपलब्ध।
- Bronze Body & Arm
ब्रॉज़ से बनी बॉडी व आर्म।
- Both Part Circle and Full Circle operations possible
पार्ट सर्कल एवं फुल सर्कल दोनों संचालन संभव
- Part Circle operation ranging from 20° to 340°
20° to 340° पार्ट सर्कल संचालन



HT-46PC

- Available in 3/4" BSP Male Thread Connection
3/4" की बाहरी चूड़ी में उपलब्ध।
- Body, Arm & Bearing made of Engineering Plastic (Delrin)
इंजीनियरिंग प्लास्टिक (डेलरिन) से बना बॉडी, आर्म एवं बियरिंग
- Both Part Circle and Full Circle operations possible
पार्ट सर्कल एवं फुल सर्कल दोनों संचालन संभव
- Part Circle operation ranging from 30° to 330°
30° to 330° पार्ट सर्कल संचालन

Accessories For Saaras



Quick Coupling Socket



Female Socket



Spanner

Reducers



1/2" x 3/4"



1/2" x 1"



3/4" x 1"



Made out of special imported Engineering Plastic for durability and smooth functioning.

IS : 12232



Part - 1

CML : 8939410

HT-22PC

- Available in 1/2" Male Thread Connection
- Body, Arm, Bearing & Nozzles made of engineering plastic (Delrin) for durability
- Specially designed Bayonet nozzles
- Stainless Steel Springs & Pivot Pin
- Both Part/Full Circle Operation Possible
- Part Circle Operation ranging from 15° to 345°
- BIS approved
- Trajectory Angle 25°

Other Available Models
अन्य उपलब्ध मॉडल



	HT-22PC	HT-5PC	HT-46PC	HT-20PC	HT-30PC
Nozzle (mm) नोजल (मिमि)	3.5	3.57	4.76 X 3.17	4.76 X 3.17	7.1 X 3.2
Pressure (kg/cm ²) प्रेसर (किग्रा/सेमी ²)	2.5	2.5	2	2	3
Radius (mtr) रेडियस (मिटर)	11.5	11.7	13.4	14.6	17
Discharge (ltr/min) डिस्चार्ज (लि/मिनट)	12.5	22.6	29.4	28.8	65.3



IS : 12232

 PART - 1
 CML : 8205260

Penguin / पेंग्विन®

1¼" Water Gun (HT-40G)



IS : 12232

 PART - 1
 CML : 8205260

Pelican / पेलिकन®

1½" Water Gun (HT-42G)



Imported

Skipper / स्कीपर

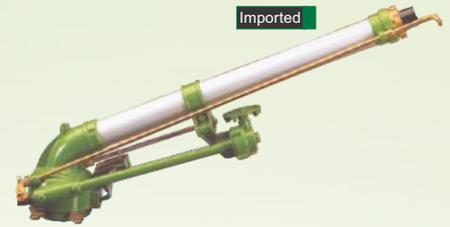
1½" Water Gun (HT-43G)



Imported

Duplex / डुपलैक्स

2" Water Gun (HT-45G)



Imported

Mariner / मरीनर

2½" Water Gun (HT-47G)

Multiple models of Guns are available of SIME, Italy. You may visit the website - www.sime-sprinklers.com for more details. Automat is authorized distributor of SIME, Italy in India.

Applications & Accessories / उपयोग

- Field Crop - Sugarcane, Ground Nut, Maize, Wheat, Grams & Pulses गन्ने, मूँगफली, बाजरा, गेहूँ, चने और दालों की खेती में प्रयोग होता है।
- Tea estates & Coffee plantation इनका उपयोग चाय बागान, काफी पौधकरण में भी किया जाता है।
- Dust Suppression, Green Pastures, Sports Field & Golf Courses धूल दमन, हरी चराई, खेल के मैदान और गोल्फ कोर्स में इस्तेमाल होता है।

Tri Pod Stand / ट्राईपोड स्टैंड



New

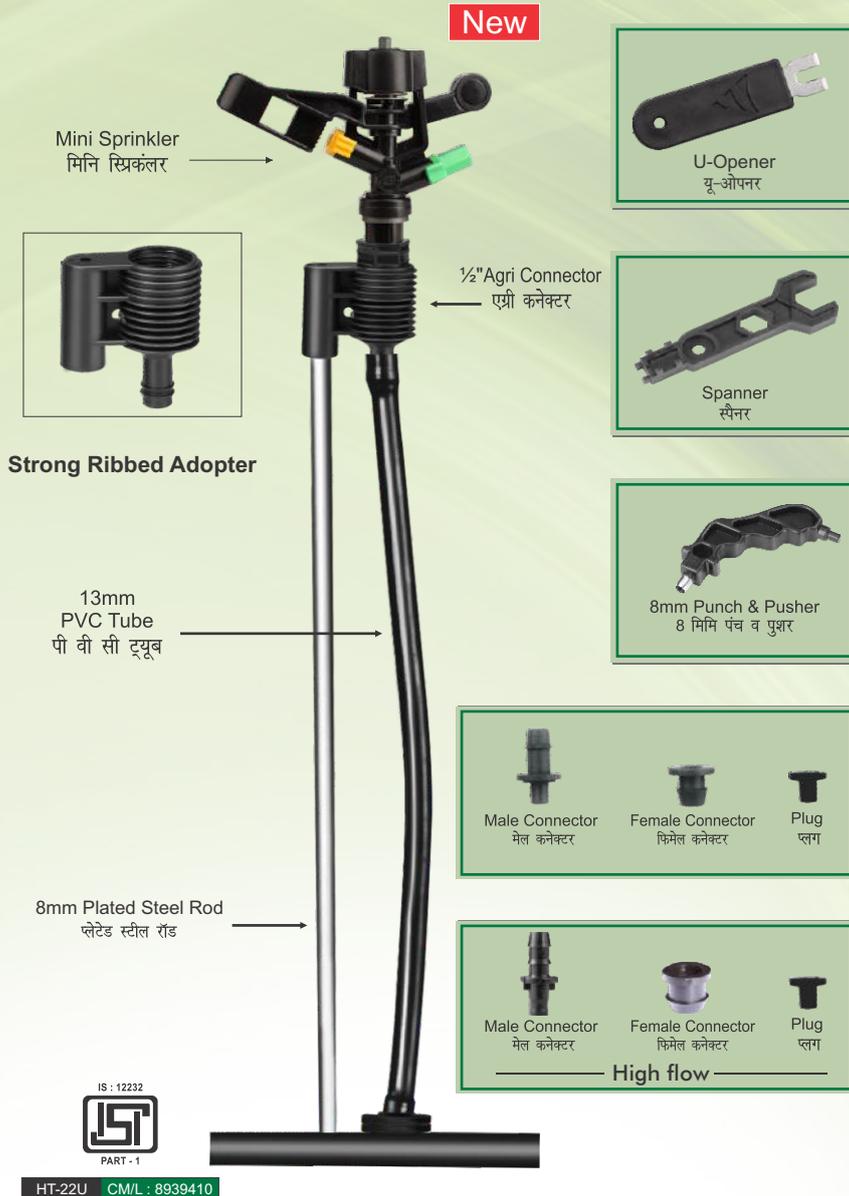
Available for 1¼" & 1½" Guns

Specification

- Available in:
 1¼" - HT40GSD
 1½" - HT42GSD
- Female BSP thread for inlet connection and male BSP thread for outlet connection.
- Stand leg pipe length - 1.1 m + 4 inch spike nail to sustain pressure.
- Available in standard riser length of 1.5 meter but can be specially made in 2 meter length as well.



	HT-40G	HT-42G	HT-43G	HT-45G	HT-47G
Nozzle (mm) नोज़ल (मिमी)	12 X 4	14 X 5	16 X 6	16 X 8	30
Pressure (kg/cm²) प्रेसर (किग्रा/सेमी ²)	4	4	5	5	6
Radius (mtr) रेडियस (मिटर)	26	30	35	37	57
Discharge (ltr/min) डिस्चार्ज (लि/मिनट)	211	277	406	446	1479



Milling Nozzle

New



- Specially design spray Milling nozzle for higher distribution uniformity at low pressure.
- Solution for dry patches in the field.

Plastic Pivot Pin

New



- Low friction coefficient Engineering Plastic Pivot Pin for smooth functioning of Arm while rotating.

Features / विशेषताएँ

- Uniform water application maintains optimum soil moisture ratio एकसार नमी व हल्क सिंचाई के कारण मिट्टी में हवा व पानी की उचित मात्रा बनाए रखता है।
- Uniform germination & fertilizer application & avoids leaching of soil and fertilizer in grade water. पपड़ी ना पड़ने के कारण एकसार अंकुरण एवं उर्वरकों के लिये जैविक खाद एक समान अनुप्रयोग।
- Easy to install & dismantle with visibility of operation लगाने और इस्तेमाल करने में आसान दृश्य परिचालन के साथ।
- Being a versatile system , can be used for 2-3 crops each year for multiple products. बहुमुखी प्रणाली होने के कारण 2-3 फसलों के लिये प्रत्येक वर्ष उपयोग कर सकते हैं।
- Distance between sprinklers : 8-12 mtr सिंक्रलर की बीच की दूरी : 8-12 मीटर
- Low application rate : 4-5mm/hr कम अनुप्रयोग दर : 4-5 मिमी/घंटा
- Low operating pressure, thus energy saving कम परिचालन दबाव - जिससे उर्जा की बचत होती है।
- Durable and weather resistance - long life span मौसम प्रतिरोधक व टिकाऊ है - अधिक समय तक चलता है।

Applications / उपयोग

- Potato, Onion, Garlic, Ginger, Cabbage, Cauliflower, Strawberry, Groundnut, Mustard, Pulses, Tea & Nursery आलू, प्याज, लहसून, अदरक, पत्ता गोभी, फूल गोभी, स्ट्रॉबेरी, मूँगफली, सरसों, चना एवं नरसरी इत्यादि के लिये उपयोगी है।
- Useful for frost control 0°C to -3°C पाला पड़ने पर 0° सेल्सियस से - 3° सेल्सियस बचाव के लिये उपयोगी है।
- Creation of Micro Climatic Conditions ऊष्ण मौसम की परिस्थितियों में ठंडी आर्द्र परिस्थितियाँ बनाने में उपयोगी है।

Performance Data

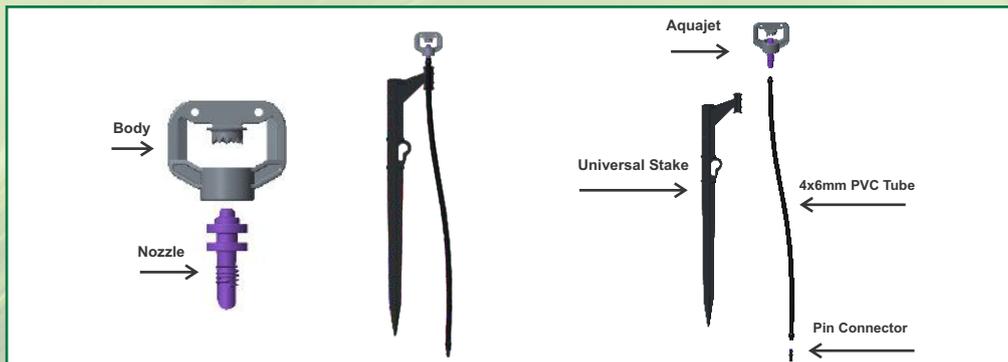
Nozzle Size	(mm)		2.4 X 1.8			
Working Pressure	(Bar)	1.0	1.5	2	2.5	3
Flow Rate	(Lit/hr)	386	475	535	600	655
Wetted Diameter	(metre)	17.5	18.0	19.0	19.5	20.0
Precipitation Rate (mm/hr)/ Spacing (m)	9X9	4.7	5.7	6.5	7.3	7.9
	9X10	4.2	5.1	5.8	6.6	7.1
	10X10	3.8	4.6	5.3	5.9	6.4
	9X12	3.5	4.2	4.9	5.5	5.9
	10X12	3.1	3.8	4.4	4.8	4.8

Color Code Distribution Uniformity :

CDU < 85%	85% ≤ CDU ≤ 88%	89% ≤ CDU ≤ 92%	CDU > 92%
-----------	-----------------	-----------------	-----------

Micro Sprinkler (HT-201)

New



Applications

- Ideal for mature widely spaced fruit trees, orchards, ornamental trees, shrubs and flowerbed.

Features and Specifications

- Quick thread connection.
- 2 parts design.
- 2 Color - Coded nozzles for flow rates from 24- 75 l/h
- Excellent Distribution with wide range of spacing.
- Jet characterized by 9 & 12 long pointed teeth.

9 Jets (9 X 270°)



Specifications

Nozzle Color	Nozzle (mm)	0.5 kg/cm ²		1.0 kg/cm ²		1.5 kg/cm ²		2.0 kg/cm ²	
		Flow (LPH)	Dia. (m)	Flow (LPH)	Dia. (m)	Flow (LPH)	Dia. (m)	Flow (LPH)	Dia. (m)
Purple	1	24	3.8	34	5.2	42	6.2	50	7.2
Orange	1.2	34	4.4	52	6.4	64	7.2	75	8.4

* Tested at 25cm height above ground.

12 Jets (12 x 360°)



Specifications

Nozzle Color	Nozzle (mm)	0.5 kg/cm ²		1.0 kg/cm ²		1.5 kg/cm ²		2.0 kg/cm ²	
		Flow (LPH)	Dia. (m)	Flow (LPH)	Dia. (m)	Flow (LPH)	Dia. (m)	Flow (LPH)	Dia. (m)
Purple	1	24	2.8	34	4.0	42	4.8	50	5.6
Orange	1.2	34	3.8	52	5.4	64	6.4	75	7.2

* Tested at 25cm height above ground.



Connection: 3/8" Male Threaded

Swivel Color	Nozzle Color	Nozzle (mm)	1.5 kg/cm ²		2.0 kg/cm ²		2.5 kg/cm ²	
			Flow lph	Dia. m	Flow lph	Dia. m	Flow lph	Dia. m
Blue	Grey	1.14	62	7.6	71	8.2	80	8.5
	Green	1.4	90	8.4	102	8.7	118	9.0
Green	Orange	1.5	105	8.7	122	9.2	136	9.6
	Black	1.78	140	9.2	162	9.5	180	10.0
	Blue	1.98	174	9.8	202	10.2	225	10.4
	Yellow	2.2	210	10.2	245	10.6	295	11.0
	Red	2.4	245	10.5	290	11.0	350	11.4

* Tested at 1m height above ground

Connection: 1/2" Male Threaded

Swivel Color	Nozzle Color	Nozzle (mm)	1.5 kg/cm ²		2.0 kg/cm ²		2.5 kg/cm ²	
			Flow lph	Dia. m	Flow lph	Dia. m	Flow lph	Dia. m
Green	Blue	1.98	174	10.6	202	11.0	225	11.5
	White	2.8	350	12.0	402	12.5	449	12.8

* Tested at 1m height above ground

Applications

- For overhead irrigation of Orchard, nurseries, Green houses and vegetable crops.
- For irrigation of widely spaced plants upto 6x6m spacing at Agri-Stand
- Ideal for frost protection and overhead cooling

Features & Specifications

- Sturdy Structure and User Friendly
- Push-Fit, 3/8" and 1/2" male threaded connection
- Insect proof Pop-up Swivel
- Range of operating Pressure: 1.5 - 3.0kg/cm²
- Flow Rate Range: 28 - 449 LPH
- Recommended Spacing 4x4m & 5x5m

Connection: Pushfit Type

Swivel Color	Nozzle Color	Nozzle (mm)	1.5 kg/cm ²		2.0 kg/cm ²		2.5 kg/cm ²	
			Flow lph	Dia. m	Flow lph	Dia. m	Flow lph	Dia. m
Black	Violet	0.8	28	5.5	36	6.0	41	6.2
	Brown	0.94	42	6.0	52	6.5	57	6.7
Blue	Grey	1.14	62	7.2	71	8.0	80	8.2
	Green	1.4	90	8.2	102	8.4	118	8.5
Green	Orange	1.5	105	8.5	122	9.0	136	9.4
	Black	1.78	140	9.0	162	9.4	180	9.8
	Blue	1.98	174	9.7	202	10.0	225	10.3
	Yellow	2.2	210	10.0	245	10.5	295	10.7
	Red	2.4	245	10.2	290	10.8	350	11.0

* Tested at 25cm height above ground

Micro sprinkler (HT-210 series)

माईक्रो स्पिंकलर



New

Features	
• Recommended Spacing : Upto 5 mtr (For Range Rotor)	
• Coverage Diameter : Mister : 1.5 - 4 mtr : Range Rotor : 7 - 10 mtr	
• Discharge Flow Rates : 50 to 200 ltr	
• Operating Pressure Range : 1 to 3 kg/cm ²	
• With support of bayonet nozzle it can be used on high operation pressure	
• Pin & Bayonet Connectors are available to connect to Lateral	

Applications
• Green houses
• Horticulture & Agriculture
• Under Tree Cultivation
• Ideal for overhead cooling and frost protection

Performance Data (Mist Swivel)-Pushfit Type								
Swivel Color	Nozzle color	Nozzle (mm)	1.0 Kg/cm ²		2.0 Kg/cm ²		3.0 Kg/cm ²	
			Flow (lph)	Dia. (m)	Flow (lph)	Dia. (m)	Flow (lph)	Dia. (m)
Black	Black	0.8	24	1.8	34	2.0	42	2.2
	Purple	1.0	36	2.0	52	2.3	62	2.5
	Orange	1.2	52	2.3	76	2.6	95	2.9
	Blue	1.4	72	3.0	102	3.2	127	3.4
	Yellow	1.6	90	3.4	130	3.7	160	3.8
	Green	1.8	115	3.6	162	4.0	195	4.2

*Tested at 25cm height above ground.

Performance Data (Range Rotor)-Pushfit Type								
Swivel Color	Nozzle color	Nozzle (mm)	1.0 Kg/cm ²		2.0 Kg/cm ²		3.0 Kg/cm ²	
			Flow (lph)	Dia. (m)	Flow (lph)	Dia. (m)	Flow (lph)	Dia. (m)
Black	Purple	1.0	36	7.0	52	7.5	62	8.0
	Orange	1.2	52	7.5	76	8.3	95	8.5
	Blue	1.4	72	7.8	102	8.8	127	9.4
	Yellow	1.6	90	8.0	130	9.4	160	9.7
	Green	1.8	115	8.3	162	10.3	195	10.5

*Tested at 25cm height above ground.

Performance Data (Range Rotor)- 1/2" Male Threaded								
Swivel Color	Nozzle color	Nozzle (mm)	1.0 Kg/cm ²		2.0 Kg/cm ²		3.0 Kg/cm ²	
			Flow (lph)	Dia. (m)	Flow (lph)	Dia. (m)	Flow (lph)	Dia. (m)
Grey	White	2	155	9.5	210	10.5	270	10.8
	Brown	2.3	200	10.0	280	11.0	350	11.5
	Red	2.5	260	10.5	315	11.5	380	12.0

*Tested at 100 cm height above ground.

Precipitation Rate (mm/hr)/ Spacings (m) at 2 bar pressure								
		03x03	3.5x3.5	4.0x4.0	4.5x4.5	5.0x5.0	5.5x5.5	6.0x6.0
Grey	White	19.9	14.7	11.2	8.9	7.2	5.9	5.0
	Brown	25.2	18.9	14.2	11.2	9.1	7.5	6.3
	Red	41.3	30.3	23.2	18.4	14.9	12.3	10.3

*Tested at 1m above ground.

Color Code Distribution Uniformity :

CDU < 85%	85% ≤ CDU ≤ 88%	89% ≤ CDU ≤ 92%	CDU > 92%
-----------	-----------------	-----------------	-----------



Features

- Operating Pressure Range : 1 to 3 kg/cm²
- It can also be used for Poultry Cooling System
- Fine drops creates uniform cloud
- Recommended Spacing : 1.0 to 1.5 mtr
- Coverage Diameter : 1.9 to 4.8 mtr
- Discharge Flow Rates : 36 to 245 ltr/hr

LP LPD (Low Pressure Leakage Prevention Device)

Opening Pressure	1.1 Bar
Closing Pressure	0.7 Bar

Performance Data (Mist Sprayer)

Swivel Color	Nozzle color	Nozzle (mm)	1.5 Kg/cm ²		2.0 Kg/cm ²		2.5 Kg/cm ²	
			Flow (lph)	Dia. (m)	Flow (lph)	Dia. (m)	Flow (lph)	Dia. (m)
Black	Black	0.8	27	2.2	34	2.4	41	2.6
	Purple	1	44	2.4	52	2.6	60	2.8
	Orange	1.2	64	3.0	76	3.2	86	3.4
	Blue	1.4	88	3.2	102	3.4	116	3.6
	Yellow	1.6	110	3.8	130	4.2	146	4.4
	Green	1.8	142	4.2	162	4.6	185	4.8

*Tested at 2m height above ground surface.

Performance Data (Inverted Rotor)

Swivel Color	Nozzle color	Nozzle (mm)	1.5 Kg/cm ²		2.0 Kg/cm ²		2.5 Kg/cm ²	
			Flow (lph)	Dia. (m)	Flow (lph)	Dia. (m)	Flow (lph)	Dia. (m)
Grey	Purple	1.0	44	7.6	52	7.8	60	8.3
	Orange	1.2	64	8.3	76	8.5	86	8.8
	Blue	1.4	88	8.9	102	9.3	116	9.5
	Yellow	1.6	110	9.1	130	9.5	146	10.0
	Green	1.8	142	9.5	162	10.0	185	10.4
	White	2.0	166	9.8	198	10.5	222	10.6
	Brown	2.3	221	9.7	260	10.8	300	10.8

*Tested at 25cm height above ground surface.

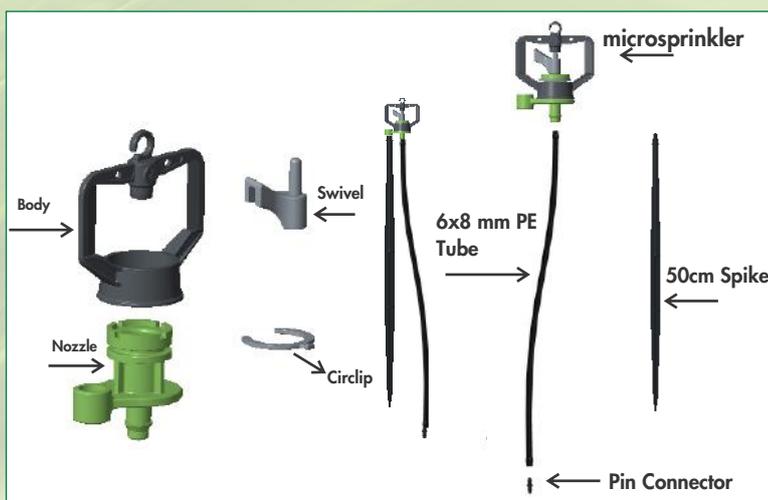


Aquamic Excel

Micro Sprinkler (HT-211)



New



Features and Specifications

- Barbed type Connection.
- No dry patches due to body rotation, excellent distribution uniformity.
- Range of operating Pressure: 0.5 - 2.5kg/cm².
- Flow Rate Range: 82 - 225 LPH
- Recommended Spacing: 3x3m, 3.5 x 3.5m & 4x4m.
- Special material achieves high wear resistance and trouble free swivel rotation.
- 6x8mm PE tube for more water carrying capacity to run sprinkler at low pressure.
- UV & Chemical Resistant material.

Applications

- For overhead irrigation of vegetables, nurseries, flower beds, shrubs & landscape.
- For irrigation of widely spaced plants upto 4x4m spacing with different mounting options.



Specially designed Circlip for easy opening of microsprinkler for cleaning by the end user.

Specifications

Swivel Color	Pressure kg/cm ²	Yellow Nozzle (1.5mm)		Green Nozzle (1.85mm)		White Nozzle (2.1mm)	
		Flow (LPH)	Dia. (m)	Flow (LPH)	Dia. (m)	Flow (LPH)	Dia. (m)
Black	1	82	5.8	105	6.5	142	7.2
	1½	102	6.4	132	7.5	165	7.8
	2	115	7.0	155	7.8	188	8.2
	2½	125	7.4	170	8.2	208	8.8
	3	135	7.8	185	8.6	225	9

* Tested at 50cm height above ground.

Butterfly micro sprinkler (HT-220 series)

माईक्रो स्प्रींकलर

Applications

- High Volume, low pressure plastic micro sprinkler for overhead irrigation of close spacings vegetable crops (Ginger, Onion, Potatoes etc.) and flowers.
- For irrigation of widely spaced plants for spacing upto 6x6m mounted on an Agri-Stand.
- Ideal for crops requiring more water.

Features & Specifications

- Every component manufactured out of engineering plastic.
- 1/2" male threaded connection.
- Excellent distribution uniformity.
- Range of operating Pressure: 0.5 - 2.5 kg/cm².
- Flow Rate Range: 240 - 850 LPH.
- Recommended Spacing 4x4m, 5X5m & 6x6m.



Material	
S.No.	Parts Name
1	Body
2	Swivel
3	Swivel Bush
4	Washer
5	Circlip
6	Nozzle

New



Connection: 1/2" Male Threaded

Swivel Color	Nozzle color	Nozzle (mm)	Pressure (Kg/cm ²)	Flow Rate (LPH)	Diameter (m)	Precipitation Rate (mm/hr) / Spacing (m)		
						4 x 4 m	5 x 5 m	6 x 6 m
Green	Purple	2.5mm	1.0	240	10.5	12.3	7.9	5.5
			1.5	295	11.5	14.5	9.3	6.4
			2.0	345	12.0	19.1	12.2	8.5
	Brown	2.8mm	1.0	300	11.0	16.1	10.3	7.2
			1.5	370	12.0	20.5	13.1	9.1
			2.0	430	12.0	21.1	13.5	9.4
	Green	3.1mm	1.0	394	11.0	20.5	13.1	9.1
			1.5	476	12.0	26.9	17.2	11.9
			2.0	550	12.5	39.2	25.0	17.4
	Blue	3.5mm	1.0	505	11.5	29.5	18.9	13.1
			1.5	605	12.5	44.7	28.6	19.9
			2.0	705	13.0	53.1	34.0	23.6
Orange	3.9mm	1.0	610	12.0	29.7	19.0	13.2	
		1.5	730	12.5	43.1	27.6	19.2	
		2.0	850	13.0	64.3	41.2	28.6	

* Tested at 100cm riser height. Color Code Distribution Uniformity : CDU < 85% 85% ≤ CDU ≤ 88% 89% ≤ CDU ≤ 92% CDU > 92%

Accessories / सहायक उपकरण

Pin Connector
पिन कनेक्टर



6 X 8 mm Adapter



Male Bayonet Connector
मेल बायोनेट कनेक्टर



Butterfly - Barb
बटरफ्लाई - बार्ब



Female Bayonet Connector
फिमेल बायोनेट कनेक्टर



Butterfly Threaded (3/8")
बटरफ्लाई - थ्रेडदार (3/8")



Bayonet Plug Connector
बायोनेट प्लग कनेक्टर



Quick Thread connector
क्विक थ्रेड कनेक्टर



4mm Punch
4 मिमि पंच



1/2" Bayonet Connector



New

MICRO TUBES :

- 3mm X 5mm PVC Tube
- 4mm X 6mm PVC Tube
- 4mm X 7mm PVC Tube
- 8mm X 12mm PVC Tube
- 4mm X 6mm PE Tube
- 5.5mm X 7.5mm PE Tube
- 6mm X 8mm PE Tube



Spikes / स्टेक्स



Universal
यूनिवर्सल

34cm
34 सेमी

35cm
35 सेमी

43cm
43 सेमी

50cm
50 सेमी

Selection Guidelines Micro & Mini Sprinklers

Product Details	Aquamic	Aquatuff	Mini Sprinkler
	(Model-210)	(Model-205)	(Model HT-22U)
Nozzle Size Available (mm)	0.8 - 2.5	0.8 - 2.8	2.4 x 1.8 ,2.5 x 1.8
Discharge Range Available (ltr/hr)	24 - 376	28 - 449	450 - 600
Recommended Operating Pressure(kg/cm ²)	1.0-2.0	1.0-2.0	1.5 - 3.0
Recommended Spacing (m)			
Nurseries (in open area)	2.0-3.0**	3.0-5.0**	7.0-8.0**
Nurseries (in Tunnels)/propagation chambers	1.0-2.0(Mist Sprayer)	NA	NA
Nurseries/Green houses) for Irrigation	3.0-5.0 (Inverted Micro.Sprinkler)	NA	NA
Orchards closed spacing (less than 4m)	40lph M.S placed after every tree in row Or 70lph M.S placed every second tree in the row	40lph M.S placed after every tree in row Or 70lph M.S placed every second tree in the row	NA
Orchard Spacing (4 to 6m)	70 to 120lph 1nos. M.S per tree Or 1nos. M.S midway between trees	70 to 120lph 1nos. M.S per tree Or 1nos. M.S midway between trees	NA
Orchard Spacing (6m and above)	NA	120 to 160lph 1nos. Of M.S. per tree	NA
Vegetables* (openfield)(m)	NA	3.0-4.5**	7.0-10.00**
Recommended Precipitation Rate(mm/hr)			
Nurseries (in open area)	3.0***	3.0***	3.0***
Tunnels	8.0-12.0***	NA	NA
Vegetables	3.0-4.0***	3.0-4.0***	4.0-5.0***

* For types of Vegetables refer to particular catalogue of item. / ** Normal wind Condition. / *** can vary according to soil type & site condition.

HT-250 Series



Accessories / सहायक उपकरण



Features / विशेषताएँ

- Reduces temperature and increases humidity in Greenhouse. तापमान को कम कर देता है और ग्रीनहाउस में नमी बढ़ाता है
- Interchangeable color coded nozzles. विनिमय करने योग्य रंग कोडित नोजल.
- Connected with LPD and push fit / bayonet. LPD और पुश फिट / बेयोनेट के साथ जुदा हुआ.
- Fine droplet size (50-60 microns @ 4.0 bar) फाइन ड्रॉपलेट आकार (50-60 माइक्रोन @ 4.0 बार)
- A secondary filter (75-100 microns) is required to operate the product. एक द्वितीयक फिल्टर (75 -100 माइक्रोन) उत्पाद को संचालित करने के लिए आवश्यक है
- High water distribution uniformity and coverage. उच्च जल वितरण समरूपता और कवरेज
- Easy installation and service. आसान स्थापना और सर्विस

Applications / उपयोग

- Evaporative cooling and humidifying control for Greenhouse and Long tunnels. ग्रीनहाउस और लंबी सुरंगों के लिए वाष्पशील ठंडक और आर्द्र नियंत्रण.
- Provides perfect conditions for plant propagation. संयंत्र के प्रसार के लिए सही स्थिति प्रदान करता है
- Organic or Conventional fields. कार्बनिक या पारंपरिक फ़िल्ड

Technical Specifications / तकनीकी विनिर्देश

Material / सामग्री	Polyacetal
Pattern / पैटर्न	360°
Droplet Size / ड्रॉपलेट आकार	50-60 Microns /माइक्रोन @ 4Kg/cm ²
Operating Pressure / ऑपरेटिंग दबाव	4 Kg/cm ²
Operating Range / ऑपरेटिंग सीमा	2-4 Kg/cm ² - Green LPD 3-5 Kg/cm ² - Blue LPD

Nozzles Flow Rate (LPH) / नोजल प्रवाह दर

Nozzle Color	Blue	Green
Single Fogger	5.5	7.5
2 Way Fogger	11	15
4 Way Fogger	22	30

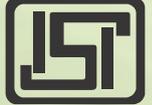
LPD (Leakage Prevention Device) (रिसाव निवारक डिवाइस)

Model	Opening Pressure	Closing Pressure
MP-LPD (Green)	1.5 bar	1.0 bar
HP-LPD (Blue)	2.5 bar	1.7 bar

Semi Automatic Screen Filter

2", 2 1/2" & 3"

IS : 12785:1994



CM/L : 3006128

New

Pressure Differential Indicator
दबाव अन्तर सूचक



Can be used for Primary filtration in place of Sand Media Filters for small farm holdings

Features / विशेषताएँ

- Available in / उपलब्ध साईज़
2" BSP/NPT male thread connection : HT-124T-SA
2" BSP/NPT मेल चूड़ीदार कनेक्शन : HT-124T-SA
2 1/2" BSP/NPT Male Thread Connection: HT-125T-SA
2 1/2" BSP/NPT मेल चूड़ीदार कनेक्शन : HT-125T-SA
3" BSP/NPT male thread connection : HT-126T-SA
3" BSP/NPT मेल चूड़ीदार कनेक्शन : HT-126T-SA
- Body made of special chemically bonded polymer for durability
अधिक स्थयित्व के लिए रासायनिक पॉलिमर से बनी बॉडी
- Non Corrosive SS-316 Stainless Steel Filter Mesh
ना टूटने वाली स्टेनलेस स्टील फिल्टर जाली (मेश)
- Easy to install & Low Maintenance
लगाने में आसान और कम रखरखाव

Cleaning Instructions

सफाई हेतु निर्देश/अनुवेश

- **Cleaning of the filter must be done when pressure differential across the screen reaches 0.5kg/cm² (7psi) or when the pressure indicator red button pops up.**
जब स्क्रीन पर दबाव अन्तर 0.5kg/cm² (7psi) पहुँच जाये या जब दबाव अन्तर सूचक लाल बटन उपर आ जाये तो फिल्टर की सफाई करना आवश्यक है।
- Cleaning the semi-automatic filter must be done while the filter is under pressure.
- सेमी ऑटोमेटिक फिल्टर की सफाई फिल्टर में पानी के प्रवाह के समय करनी चाहिए।
- Open the drain valve gradually.
ड्रेन वाल्व धीरे धीरे खोलें।
- Rotate the handle gripper in clockwise direction 4-5 times and then rotate in anti-clockwise direction to finish the process. This is to be done online when the system is on.
हैंडल ग्रीपर को 4-5 बार दोनो दिशाओं में घुमाएँ। यह करते समय सिस्टम चालू रहना चाहिए।
- Close the valve gradually.
धीरे धीरे ड्रेन वाल्व बन्द कर दें।
- In case the filter is still clogged (pressure indicator button is up).
Repeat the above while the downstream valve of the filter is closed.
यदि फिल्टर अभी भी अवरुद्ध है (दबाव सूचक बटन उपर उठा हुआ है) तो उपरोक्त प्रक्रिया दोहराएँ जबकि बाहय वाल्व बंद हो।

WARNING: To prevent water hammer (surge), always open and close upstream valve gradually.

Specifications / विनिर्देश

Model No. माडल नम्बर	HT-124TSA एच टी -124 टी एस ए	HT-125TSA एच टी -125 टी एस ए	HT-126TSA एच टी -126 टी एस ए
Mesh Size जाली साईज़	120 Mesh/130 Micron 120 मेश/130 माईक्रोन	120 Mesh/130 Micron 120 मेश/130 माईक्रोन	120 Mesh/130 Micron 120 मेश/130 माईक्रोन
Filtering Cartridge फिल्टर कार्टेज	Stainless Steel Screen स्टेनलेस स्टील स्क्रीन	Stainless Steel Screen स्टेनलेस स्टील स्क्रीन	Stainless Steel Screen स्टेनलेस स्टील स्क्रीन
Max. Pressure अधिकतम दबाव	8 Kg/cm ²	8 Kg/cm ²	8 Kg/cm ²
Range of Flow Rate प्रवाह सीमा दर	18-27 m ³ /hr	25-35 m ³ /hr	35-42 m ³ /hr
Nominal Flow Rate सांकेतिक प्रवाह दर	25 m ³ /hr	30 m ³ /hr	40 m ³ /hr
Clean Pressure Drop दबाव गिरावट	Max. 0.26 kg/cm ² अधिकतम 0.26 kg/cm ²	Max. 0.28 kg/cm ² अधिकतम 0.28 kg/cm ²	Max. 0.28 kg/cm ² अधिकतम 0.28 kg/cm ²
Filtration Surface Area फिल्ट्रेशन पृष्ठ क्षेत्रफल	554 cm ²	554 cm ²	831 cm ²
Closing System क्लोजिंग सिस्टम	Stainless Steel Clamp स्टेनलेस स्टील क्लैम्प	Stainless Steel Clamp स्टेनलेस स्टील क्लैम्प	Stainless Steel Clamp स्टेनलेस स्टील क्लैम्प
Cartridge Diameter कार्टेज व्यास	118 mm	118 mm	118 mm
Cartridge Length कार्टेज लम्बाई	252 mm	252 mm	378 mm



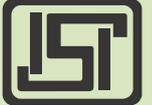
E-mail: contactus@automatworld.com
Website: www.automatworld.com

Creating a Green World

Screen Filters- For Small Farm Holdings

3/4", 1", 1 1/2" & 2"

IS : 12785:1994



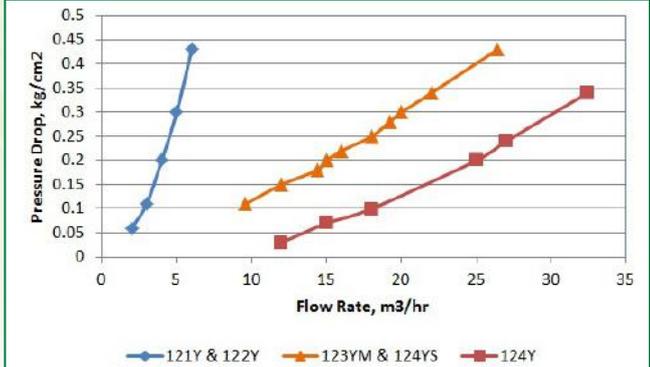
CM/L : 3006128



Features

- Flow passes through Inside to Outside of Screen cartridge
- Uniform distribution of flow into filter housing optimize filtration process.
- Filter designed for Max. Operating Pressure 6bar (Pn6).
- 1/4" Male threaded 2 pressure ports.
- Stainless Steel (SS 316) double mesh screen for rust prevention.
- Filter body cap equipped with 3/4" female threaded connection for draining
- Screen Cartridge with Double Screen 30 & 120mesh to avoid tearing of mesh.

Performance Graph



Specifications

Model	HT-121Y / 122Y	HT-123YM	HT-124YS	HT-124Y
Max. Working Pressure	6 kg/cm ²	6 kg/cm ²	6 kg/cm ²	8 kg/cm ²
Recommended flow	5 m ³ /h (83 lit/m)	15 m ³ /h (250 lit/m)	20 m ³ /h (333 lit/m)	25 m ³ /h (417 lit/m)
Range of Flow Rate	4-6 m ³ /hr	12 – 16 m ³ /h	18 – 22 m ³ /h	18 – 27 m ³ /h
Filter Disc (Standard)	Double Screen 30/120 mesh			
Filtration Surface Area	120.5 cm ²	295 cm ²	295 cm ²	492 cm ²
Inlet/Outlet Connection	3/4" BSP/NPT male thread	1 1/2" BSP/NPT male thread	2" BSP/NPT male thread	2" BSP/NPT male thread
Distance between End Connections	155.5mm	237mm	237mm	303mm
Filter Height (With End Plug)	252mm	320mm	325mm	410mm
Filter Width	87mm	128mm	128mm	171mm
Cartridge Diameter	48mm	70mm	70mm	110mm
Cartridge Length	151mm	224mm	224mm	285mm
End Plug	1/2" Male Threaded	3/4" Male Threaded	3/4" Male Threaded	3/4" Male Threaded



E-mail: contactus@automatworld.com
Website: www.automatworld.com

Creating a Green World

Y Type Manual Disc Filters

3/4" & 1"



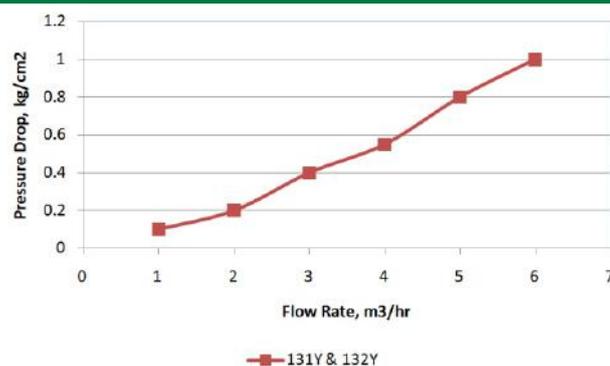
New



Features

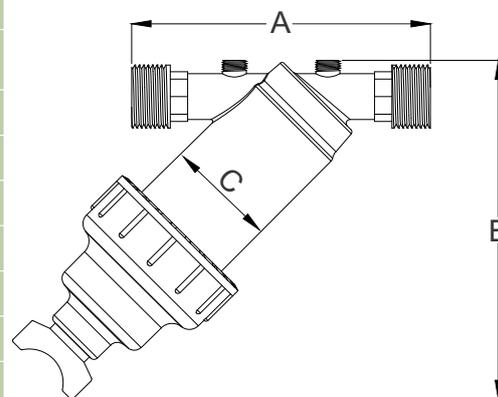
- Disc Filter designed for Outside to Inside flow.
- AUXILIARY CONNECTIONS - Two pressure gauge ports with 1/4" male threaded connections.
- Filter body and cap connected by threaded connection to sustain high pressure and easy opening & closing.
- High filtration efficiency.
- Spring loaded Disc cartridge for uniform compression of Discs.
- UV protected, chemical and high pressure resistant reinforced plastic material used.

Performance Graph



Specifications

Model	HT-131Y	HT-132Y
Max. Working Pressure	6 kg/cm ²	6 kg/cm ²
Recommended flow	3 m ³ /h (50 lit/m)	4 m ³ /h (66.7 lit/m)
Range of Flow Rate	3-5 m ³ /hr	3 – 5 m ³ /h
Filter Disc (Standard)	120 mesh PP Red disc (1 Removable Cartridge)	
Filtration Surface Area	147.5 cm ²	147.5 cm ²
Inlet/Outlet Connection	3/4" BSP/NPT male thread	1" BSP/NPT male thread
Distance between End Connections (A)	155.5mm	155.5mm
Filter Height (With End Plug) (B)	183mm	183mm
Filter Width (C)	86.5mm	86.5mm
Cartridge Diameter	47.5mm	47.5mm
Cartridge Length	143.5mm	143.5mm
End Plug	1/2" Male Threaded	1/2" Male Threaded



Y Type Manual Disc Filters

1½" & 2"



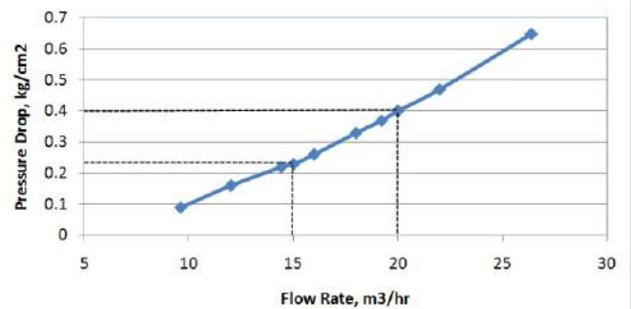
New



Features

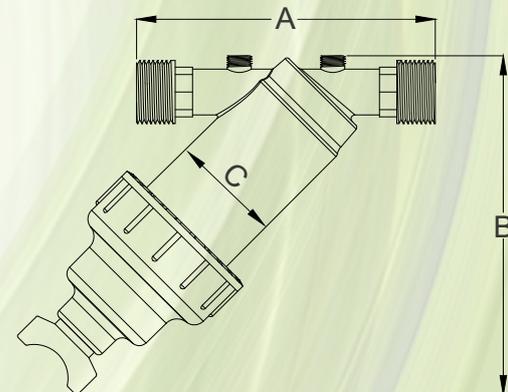
- Disc Filter designed for Outside to Inside flow.
- AUXILIARY CONNECTIONS - Two pressure gauge ports with ¼" male threaded connections.
- Filter body and cap connected by threaded connection to sustain high pressure and easy opening & closing.
- High filtration efficiency.
- Spring loaded Disc cartridge for uniform compression of Discs.
- UV protected, chemical and high pressure resistant reinforced plastic material used.

Performance Graph



Specifications

Model	HT-133YM	HT-134YS
Max. Working Pressure	6 kg/cm ²	6 kg/cm ²
Recommended flow	15 m ³ /h (250 lit/m)	20 m ³ /h (333 lit/m)
Range of Flow Rate	12 – 16 m ³ /h	18 – 22 m ³ /h
Filter Disc (Standard)	120 mesh PP Red disc (1 Removable Cartridge)	
Filtration Surface Area	409 cm ²	409 cm ²
Inlet/Outlet Connection	1½" BSP/NPT male thread	2" BSP/NPT male thread
Distance between End Connections (A)	237mm	237mm
Filter Height (With End Plug) (B)	226mm	226mm
Filter Width (C)	125mm	125mm
Cartridge Diameter	69mm	69mm
Cartridge Length	222mm	222mm
End Plug	¾" Male Threaded	¾" Male Threaded



T Type



HT-87 VB

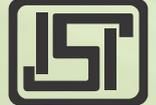
Specially designed Vacuum Breaker



Size Available
100, 130, 200 microns

Specially designed cartridge skeleton for giving extra ordinary strength to screen element.

IS : 12785:1994



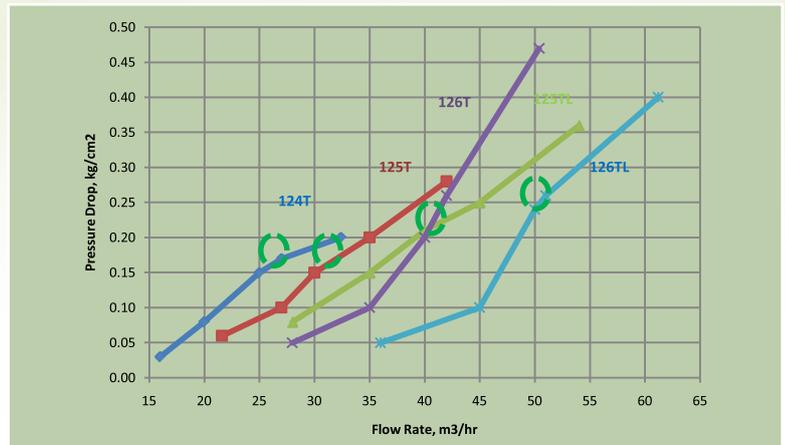
CML : 3006128

New

Specifications

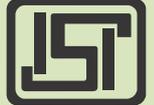
Model	HT-124T	HT-125T	HT-125TL	HT-126T	HT-126TL
Max. Working Pressure	8 kg/cm ²	8 kg/cm ²	8 kg/cm ²	8 kg/cm ²	8 kg/cm ²
Max. Recommended Flow	417 ltr/min (25 m ³ /h)	500 ltr/min (30 m ³ /h)	667 ltr/min (40 m ³ /h)	667 ltr/min (40 m ³ /h)	833 ltr/min (50 m ³ /h)
Range of Flow Rate	20-27 m ³ /h	27-35 m ³ /h	35-45 m ³ /h	35-45 m ³ /h	45-51 m ³ /h
Filtration Surface Area	480 cm ²	480 cm ²	754 cm ²	754 cm ²	960 cm ²
Inlet/Outlet Connection	2" BSP/NPT male thread	2 1/4" BSP/NPT male thread	2 1/2" BSP/NPT male thread	3" BSP/NPT male thread	3" BSP/NPT male thread

Head Loss Graph



Features

- Outside - Inside filtration.
- For upside installation.
- Bigger port for water drainage.
- Special SS - 316 single mesh for strength and corrosion resistance.
- Provided with specially designed vacuum breaker valve for quick drain and to avoid vacuum/air trapping.
- The filters are made from special chemically bonded polymer which are weather resistant.
- Clamp made out of re-inforced Nylon with plated steel lock assembly for durability.
- Specially designed long handle for easy clamp opening & closing.

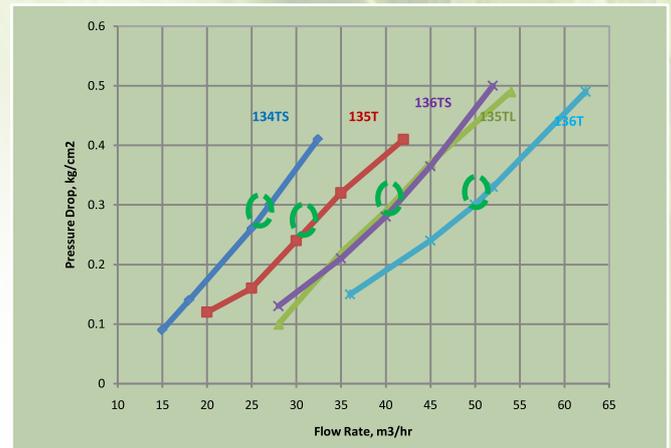


Disc Size Available
100 Microns, 130 Microns

Specifications

Model	HT-134TS	HT-135T	HT-135TL	HT-136TS	HT-136T
Max. Working Pressure	8 kg/cm ²	8 kg/cm ²	8 kg/cm ²	8 kg/cm ²	8 kg/cm ²
Max. Recommended Flow	417 ltr/min (25 m ³ /h)	500 ltr/min (30 m ³ /h)	667 ltr/min (40 m ³ /h)	667 ltr/min (40 m ³ /h)	833 ltr/min (50 m ³ /h)
Range of Flow Rate	18-27 m ³ /h	25-35 m ³ /h	35-45 m ³ /h	35-45 m ³ /h	45-52 m ³ /h
Filtration Surface Area	878 cm ²	878 cm ²	1193 cm ²	1193 cm ²	1690 cm ²
Inlet/Outlet Connection	2" BSP/NPT male thread	2 1/2" BSP/NPT male thread	2 1/2" BSP/NPT male thread	3" BSP/NPT male thread	3" BSP/NPT male thread

Head Loss Graph



Features

- DuPont Nylon Hybrid Clamp with SS Lock for high pressure operations.
- PPGF Slip-on flange for easy installation (Optional).
- Bigger drain Port with 3/4" ball valve for quick drainage.
- Disc Filters are made with special Helix system which gives better performance & results.



Vacuum Breaker



Drain Port



Hybrid Clamp



Slip-on Flange

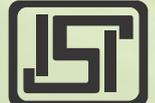
Double Body Screen Filter

3" & 4"

New



IS : 12785:1994



CML : 3006128

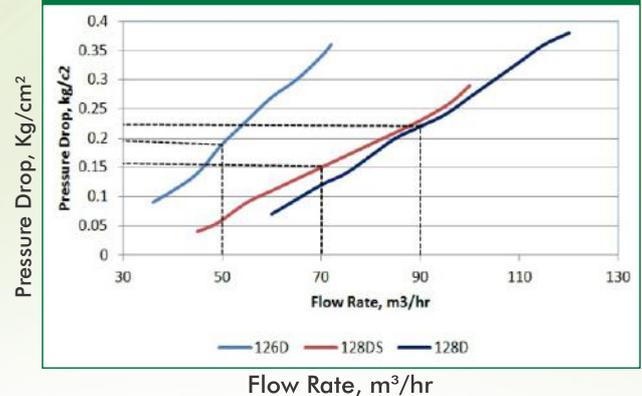
Features

- Flow passes through inside to outside of screen cartridge.
- Uniform distribution of flow into filter housing optimizes the filtration process.
- Threaded brass insert, 4 pressure ports for increasing operational life of the filter.
- Double mesh provides extra strength to avoid damage to 120 mesh screen.
- Both barrels equipped with 3/4" female threaded connection for easy drainage.
- Inside design of screen cartridge facilitates easy cleaning by brush.

120 mesh



Clean Pressure Drop Curve



Specifications

Model	HT-126D	HT-128DS	HT-128D
Max. Working Pressure	8 kg/cm ²	8 kg/cm ²	8 kg/cm ²
Recommended Flow	50 m ³ /h (833 lit/m)	70 m ³ /h (1167 lit/m)	90 m ³ /h (1500 lit/m)
Range of Flow Rate	45 - 60 m ³ /h	60 - 80 m ³ /h	80 - 100 m ³ /h
Screen Cartridge (Standard)	120 mesh Screen, Blue color Cartridge (2nos. Removable cartridge)		
Filtration Surface area	1108 cm ²	1662 cm ²	2216 cm ²
Inlet/Outlet connection	3" BSP/NPT male thread	4" BSP/NPT male thread	4" BSP/NPT male thread
Closing System	Stainless Steel Clamp		
Distance between End Connections	360mm	360mm	360mm
Filter height (Both Side Ball Valve)	970mm	1128mm	1378mm
Filter Width	257mm	257mm	257mm
Cartridge Diameter	119mm	119mm	119mm
Cartridge Length	254mm x 2	383mm x 2	504mm x 2
Drain Valve (2 nos.)	3/4" Female x Male threaded	3/4" Female x Male threaded	3/4" Female x Male threaded

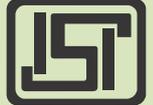
Double Body Disc Filter

3" & 4"

New



IS : 12785:1994



CM/L : 3006128

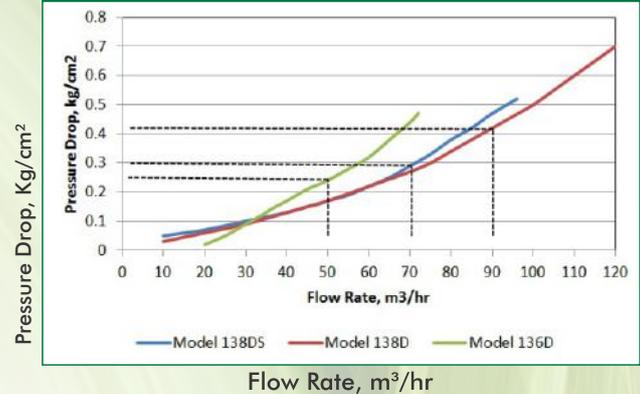
Features

- Robust design.
- Disc housing fan generates hydro cyclonic effect that reduces cleaning frequency.
- Grooved disc design provides high filtration efficiency.
- Uniform distribution of flow into filter housing optimizes filtration process.
- 3/4" Drain Ball valve & end plugs supplied along with the filter.

120 mesh PP Red Disc



Clean Pressure Drop Curve



Specifications

Model	HT-136D	HT-138DS	HT-138D
Max. Working Pressure	8 kg/cm ²	8 kg/cm ²	8 kg/cm ²
Recommended Flow	50 m ³ /h (833 lit/m)	70 m ³ /h (1167 lit/m)	90 m ³ /h (1500 lit/m)
Range of Flow Rate	45 - 60 m ³ /h	60 - 80 m ³ /h	80 - 100 m ³ /h
Filter Disc (standard)	120 mesh PP Red disc (2nos. removable cartridge)	120 mesh PP Red disc (2nos. removable cartridge)	120 mesh PP Red disc (2nos. removable cartridge)
Filtration Surface area	1756 cm ²	2380 cm ²	3380 cm ²
Inlet/Outlet connection	3" BSP/NPT male thread	4" BSP/NPT male thread	4" BSP/NPT male thread
Distance between End Connections	360mm	360mm	360mm
Filter height (Both Side End plug)	835mm	992mm	1240mm
Filter Width	338mm	338mm	338mm
Cartridge Diameter	131mm	131mm	131mm
Cartridge Length	300mm x 2	400mm x 2	525mm x 2
Drain Valve (1no.)	3/4" Female x Male threaded	3/4" Female x Male threaded	3/4" Female x Male threaded
End Plugs (2nos.)	3/4" Male Threaded	3/4" Male Threaded	3/4" Male Threaded

Eco Screen Filter

1½" & 2"

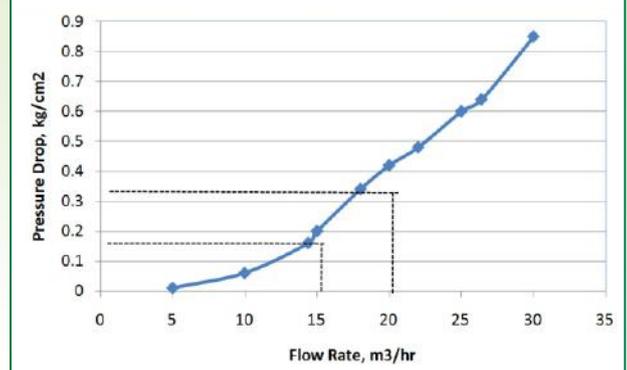
New



Features

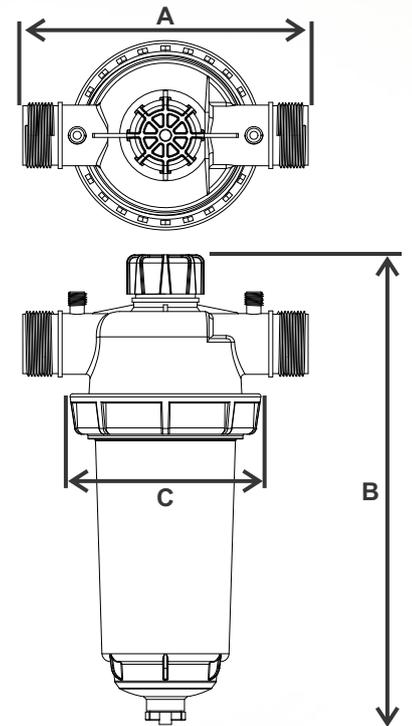
- Flow passes through Inside to Outside of Screen cartridge
- Uniform distribution of flow into filter housing optimize filtration process.
- Filter designed for Max. Operating Pressure 6bar (Pn6).
- 1/4" Male threaded 2 pressure ports.
- Stainless Steel (SS 316) double mesh screen for rust prevention.
- Union Nut for easy dismantling of filter for fast cleaning operation.
- Filter body cap equipped with 1/2" female threaded connection for draining
- Screen Cartridge with Double Screen 30 & 120mesh to avoid tearing of mesh.

Performance Graph



Specifications

Model	HT-123TE	HT-124TE
Max. Working Pressure	6 kg/cm ²	6 kg/cm ²
Recommended flow	15 m ³ /h (250 lit/m)	20 m ³ /h (333 lit/m)
Range of Flow Rate	12-16 m ³ /hr	18 – 22 m ³ /h
Filter Disc (Standard)	Double Screen 30/ 120 mesh	
Filtration Surface Area	295 cm ²	295 cm ²
Inlet/Outlet Connection	1½" BSP/NPT male thread	2" BSP/NPT male thread
Distance between End Connections (A)	208mm	221 mm
Filter Height (With End Plug) (B)	342mm	345mm
Filter Width (C)	140mm	140mm
Cartridge Diameter (with O-Ring)	70mm	70mm
Cartridge Length	224mm	224mm
End Plug	½" Male Threaded	½" Male Threaded



Eco Disc Filter

1½" & 2"

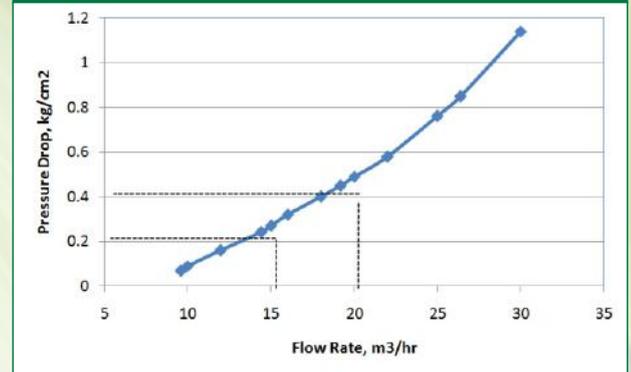


New

Features

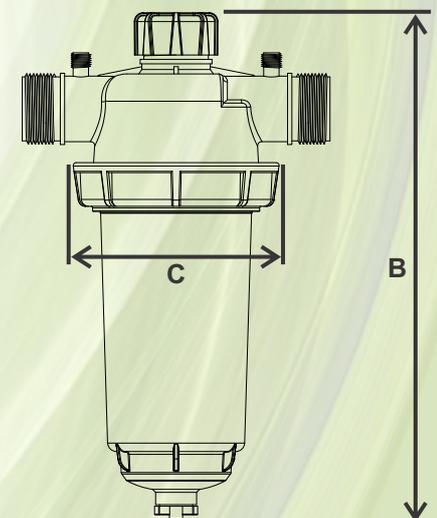
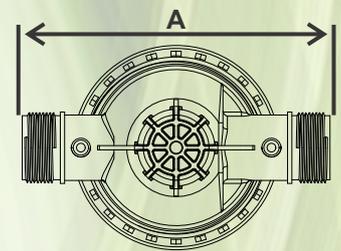
- Flow passes through outside to Inside of Disc cartridge.
- Uniform distribution of flow into filter housing optimize filtration process.
- Filter designed for Max. Operating Pressure 6 BAR (PN 6).
- ¼" Male threaded 2 pressure ports .
- Spring Loaded disc cartridges for uniform compression of disc.
- Fast cleaning of disc cartridge because of self loosen design.
- Union Nut for easy dismantling of filter for fast cleaning operation.
- Filter body cap equipped with ½" female threaded connection for draining.
- Grooved disc design with dimensional consistency proven with more than 95% filter efficiency.

Performance Graph



Specifications

Model	HT-133TE	HT-134TE
Max. Working Pressure	6 kg/cm ²	6 kg/cm ²
Recommended flow	15 m ³ /h (250 lit/m)	20 m ³ /h (333 lit/m)
Range of Flow Rate	12-16 m ³ /hr	18 – 22 m ³ /h
Filter Disc (Standard)	120 Mesh PP Disc (One removable cartridge)	
Filtration Surface Area	409 cm ²	409 cm ²
Inlet/Outlet Connection	1½" BSP/NPT male thread	2" BSP/NPT male thread
Distance between End Connections (A)	208mm	221mm
Filter Height (With End Plug) (B)	342mm	345mm
Filter Width (C)	140mm	140mm
Cartridge Diameter (with O-Ring)	70mm	70mm
Cartridge Length (without spring)	208mm	208mm
End Plug	½" Male Threaded	½" Male Threaded



Hydrocyclone Filter

2", 2½" & 3"



HT-144M



HT-145M



HT-146M

New

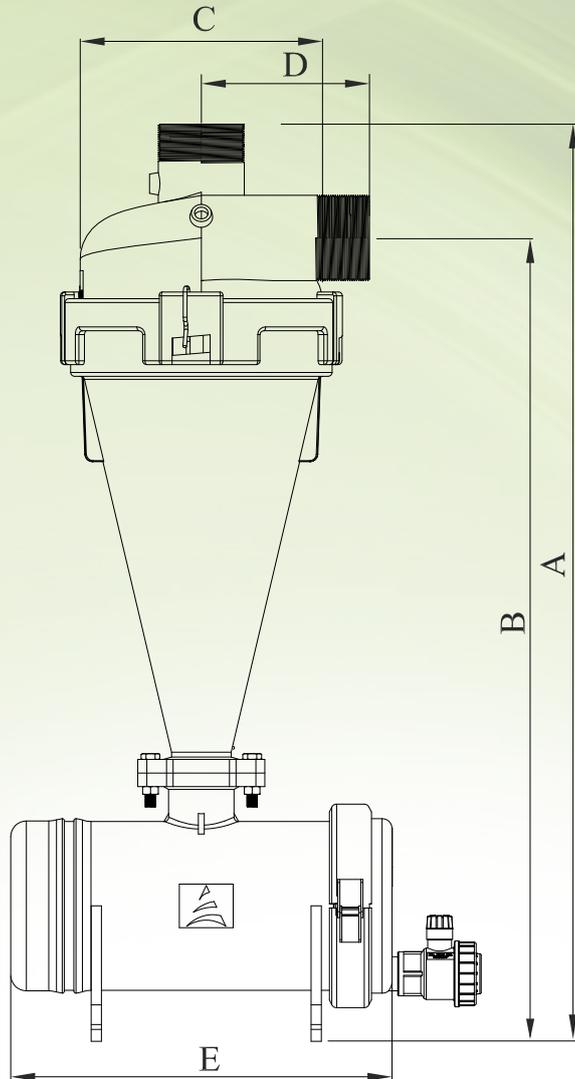
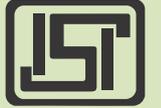
Features / विशेषताएँ

- ☞ Body made of reinforced engineering plastic for durability.
टिकाऊपन के लिए बॉडी प्रबल इंजीनियरिंग प्लास्टिक से निर्मित है.
- ☞ Hydro dynamically designed to create maximum centrifugal action.
अधिकतम अपकेंद्री कार्रवाई बनाने के लिए हाइड्रो डायनेमिक रूप से डिजाइन किया गया है.
- ☞ Dirt can be easily flushed out through drain port.
ड्रेन पोर्ट के द्वारा गन्दगी आसानी से बहाया जा सकता है.
- ☞ Collector chamber can be easily cleaned by opening collector cover.
संग्राहक कक्ष को संग्राहक कवर खोलकर आसानी से साफ किया जा सकता है.
- ☞ Hybrid Nylon Clamp with SS lock used to open/close collector cover from collector chamber.
हाइब्रिड क्लैम्प को संग्राहक कक्ष से संग्राहक कवर को खोलने व बंद करने के लिए प्रयुक्त किया जाता है.
- ☞ Easy to Install and low maintenance.
स्थापित करने में आसान और कम रखरखाव
- **New Stand for Height increase.**
ऊँचाई बढ़ाने के लिए नया स्टैंड



Specially designed High Wear Resistant Special Plastic inserted in the bottom of cone to avoid wear due to strong sand vortex.

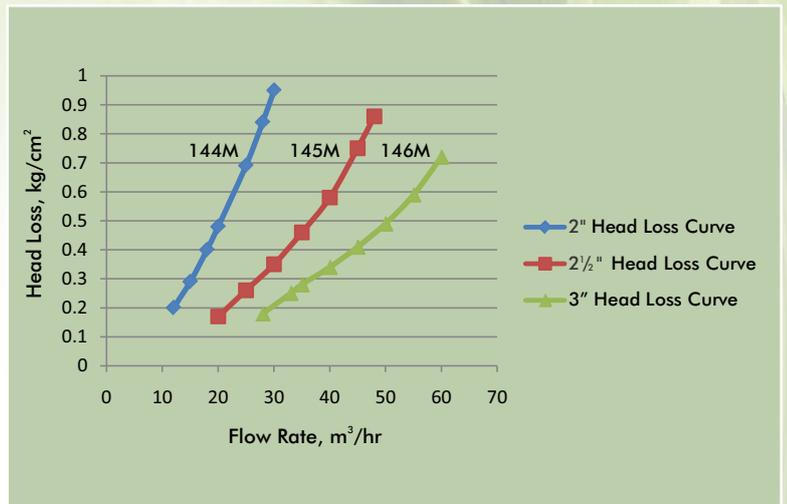
विशेष रूप से डिजाइन स्पेशल प्लास्टिक कठोर रेत चक्र की रगड़ से बचने के लिए शंकु के तल में सम्मिलित हैं.



Specifications / विनिर्देश

- Available in :
2" : HT-144M
2½" : HT-145M
3" : HT-146M
- Material of Construction: Reinforced Polypropylene/Nylon
निर्माण की सामग्री : रीइन्फोर्स्ड पॉलीप्रोपलीन
- Available Connections: BSPT Male Threaded / Flange / Victaulic
उपलब्ध कनेक्शन : BSP मेल थ्रेडेड / उभरा हुआ किनारा / विक्टौलिक
- Maximum Operating Pressure: 6 Kg/cm²
अधिकतम ऑपरेटिंग दबाव : 6 kg / cm²

Performance Graph



Performance Data

Model No. मॉडल सं.	Inlet / Outlet Inch/mm इनलेट / आउटलेट	Rec. Range of Flow Rate, m ³ /hr	Nominal Flow Rate m ³ /hr नामांकित प्रवाह दर	Dimensions (mm) / परिमाण (mm)					Capacity of Underflow Chamber (ltr) अधरूपवाह कक्ष की क्षमता (सजत)	Gross Weight सकल भार
				A	B	C	D	E		
144M	2" / 50	15-25	25	940	808	206	151	395	8	7.6 kg.
145M	2½" / 65	25-40	30	940	815	206	151	395	8	7.8 kg.
146M	3" / 80	35-50	50	990	868	248	175	395	8	9.4 kg.
				990	868	248	175	482	10	9.6 kg.

Venturi Injector

IS : 14483



Part 1 : 1997
CM/L : 3178056



1 1/2" & 2"



ROTAMETER

Realtime visibility & control of fertigation



3/4" & 1"

20%-30% Energy loss for suction as compared to 50%-60% Energy loss of other brands.

Features / विशेषताएँ

- Available in / उपलब्ध साईज :
HT 112RS - 3/4" -BSPT
HT 113RS - 1" -BSPT
HT 114RS - 1 1/2" -BSPT
HT 115RS - 2" -BSPT
- In-built check valve for protecting the injected liquid against back flow
अन्तरनिर्मित चेक वाल्व, इन्जेक्टड तरल के विपरीत प्रवाह को रोकने के लिये।
- With Rotameter, one can measure / read accurate suction of fertilizer injection rate
रोटामीटर की मदद से उर्वरक इंजेक्शन के चूषण की सटीक दर माप सकते है।
- Rotameter is available in all sizes
रोटामीटर सभी साइज में उपलब्ध है।
- All Venturi are also available with full assembly
सभी वेन्चुरी पुर्ण एसेम्बली के साथ भी उपलब्ध है।

Benefits / लाभ

- Controlled / Adjustable suction of fertilizers
उर्वरकों का चूषण नियंत्रित समायोजित किया जा सकता है।
- Delivers plant nutrients directly into the wetted zone (where root development is intensive)
पोषक तत्वों को सीधा पौधे के गीले भागों तक पहुंचाता है।
- Can be used with a large variety of chemicals
रसायनों का बड़ी विविधता के साथ इस्तेमाल किया जा सकता है।
- Uniform application of fertilizers
उर्वरकों के एक समान उपयोग के लिये।
- Saves Energy & Manpower
उर्जा एवं मानव श्रम बचाता है।

INJECTOR SELECTION GUIDE

Model No.	Size In/Out	Efficiency (P) required to Initiate suction	Motive flow (Lit/Hr) through injector @ 2.50kg/cm ²	Injection Capacity Lit/Hr
112	3/4"	30%	1525	40
113	1"	25%	4645	78
114	1 1/2"	25%	7425	320
115LF	2"	25%	7345	330
115HF	2"	20%	20100	450



E-mail: contactus@automatworld.com
Website: www.automatworld.com

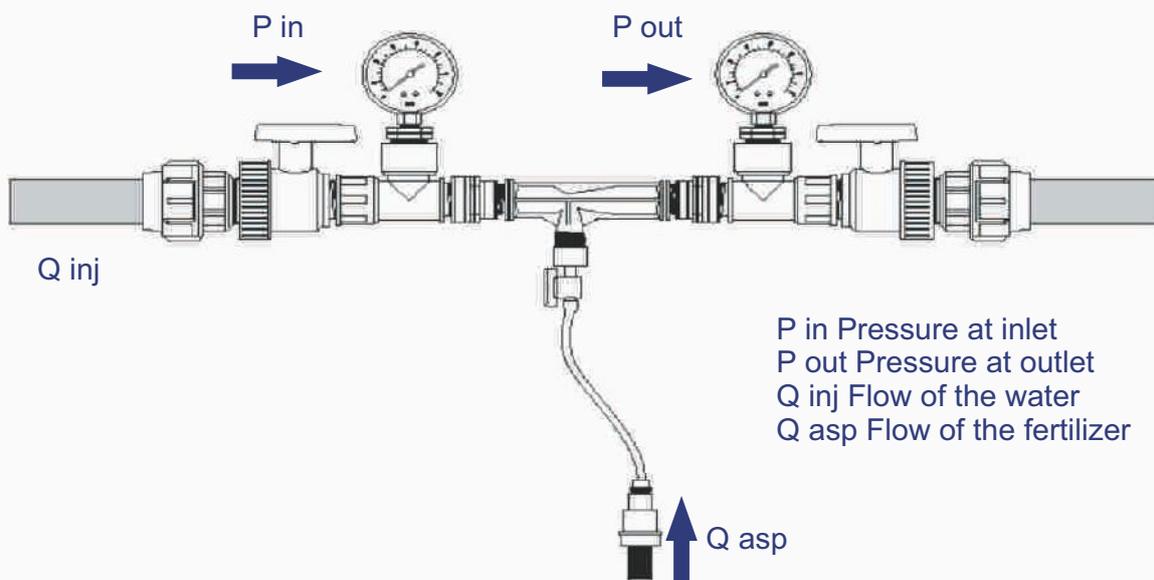
Creating a Green World

Performance Data

Pressure		¾" Venturi Injector		1" Venturi Injector		1½" Venturi Injector		2" Venturi Injector Low Flow	
P. in	P. out	Q inj	Q asp	Q inj	Q asp	Q inj	Q asp	Q inj	Q asp
Inlet Pressure kg/cm ²	Outlet Pressure kg/cm ²	Motive Flow L/H	Water Suction L/H	Motive Flow L/H	Water Suction L/H	Motive Flow L/H	Water Suction L/H	Motive Flow L/H	Water Suction L/H
2	1	1310	165	4295	290	7050	700	10250	710
	1.25		115		157.5		440		630
	1.5		53.5		30		130		275
2.5	1	1505	185	4647.5	352.5	7860	750	11080	700
	1.5		155		220		610		675
	1.75		95		80		370		475
3	1.5	1625	185	5070	335	8200	750	12025	700
	2		130		160		450		625
	2.25		62.5		22		250		425
3.5	2	1740	180	5380	310	9070	720	12945	700
	2.5		105		85.5		400		550
	2.75		40		0		130		222.5
4	2	1870	200	5727.5	365	9750	750	13960	700
	2.5		175		250		700		690
	2.75		125		135		500		625
	3		77.5		27.5		320		430

*The test carried out by using water as suction liquid.

Typical Installation / लगाने का तरीका



Single Union PVC Ball Valves

3/4", 1", 1 1/4", 1 1/2", 2", 2 1/2", 3"

New



HT - 64FFSU



HT - 65FMSU



HT - 66FFSU



HT - 68PSU

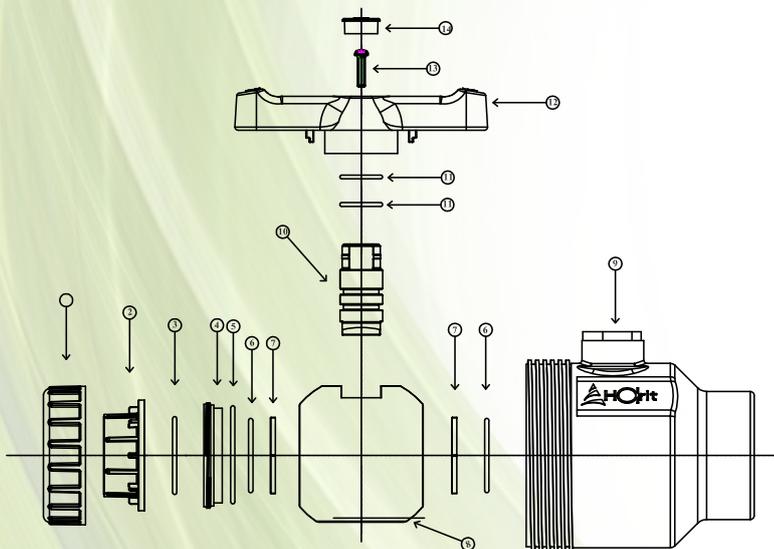
Features

- Regular handle for use in complete header assembly unit.
- Pressure Rating- PN-10 for upto 2" Ball valves
PN-8 for 2 1/2" & 3"
- Specially designed Long Handle for ease of operation once installed in system.

Sizes Available

Size	Threaded Connections		Solvent Connections
	Female x Female	Female x Male	Plain x Plain
3/4"	HT-62FFSU	HT-62FMSU	HT-62PSU
1"	HT-63FFSU	HT-63FMSU	HT-63PSU
1 1/4"	HT-64FFSU	HT-64FMSU	HT-64PSU
1 1/2"	HT-65FFSU	HT-65FMSU	HT-65PSU
2"	HT-66FFSU	HT-66FMSU	HT-66PSU
2 1/2"	HT-67FFSU	HT-67FMSU	HT-67PSU
3"	HT-68FFSU	HT-68FMSU	HT-68PSU

Exploded View



List of Spare Parts

Position	Description	Material
1	Ring	UPVC
2	Socket	UPVC
3	Bush Small 'O' Ring	NBR
4	Bush	UPVC
5	Bush Big 'O' Ring	NBR
6	Seal 'O' Ring	NBR
7	Seal	TPE
8	Ball	UPVC
9	Body	UPVC
10	Shaft	UPVC
11	Shaft 'O' Ring	NBR
12	Handle	Pa6
13	Handle Screw	SS
14	Handle insert (Logo)	ABS

Double Union & Flanged PVC Ball Valves

1", 1 1/2", 2", 2 1/2", 3"



HT - 67FFDU

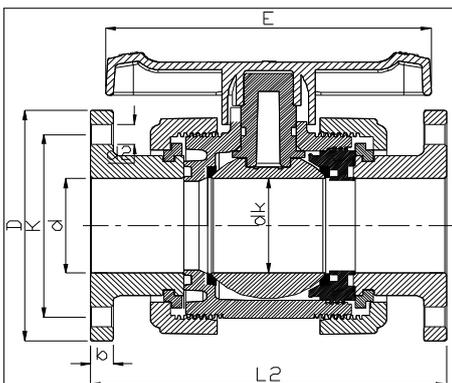
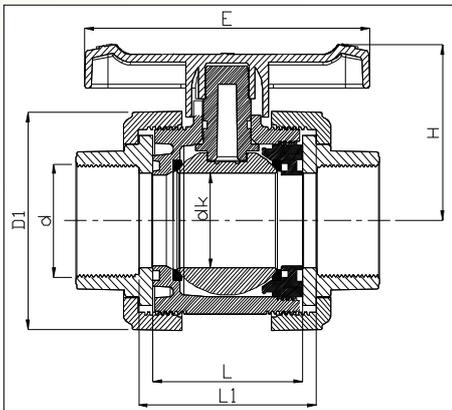


HT - 68FL

Sizes Available

Size	Connections		
	Female x Female	Plain x Plain	Flanged
1"	HT-63FFDU	HT-63PPDU	N.A.
1 1/2"	HT-65FFDU	HT-65PPDU	N.A.
2"	HT-66FFDU	HT-66PPDU	N.A.
2 1/2"	HT-67FFDU	HT-67PPDU	HT-67FL
3"	HT-68FFDU	HT-68PPDU	HT-68FL

Double Union & Flanged BV Assembly Dimension



Double Union Ball Valve

Size			Dimension						
d	DN	DN	D1	E	dk	L	L1	H	Lt
mm	mm	inch							
44.846	40	1.5	94.4	121	39.4	76.6	89.6	88.3	148.8
56.656	50	2	116	149.9	49.5	88	104	97	175.4
72.22	65	2.5	131.6	162	59	108.4	122.8	106	186.7
84.92	80	3	176.8	198.3	76	140	156	139	213.8

Flanged Ball Valve

Size			Dimension						
d	DN	DN	D	E	dk	d2	b	K	L2
mm	mm	inch							
59.7	65	2.5	164.4	162	59	16.3	15	126	214
76.2	80	3	184	198.3	76	15.9	15.7	145.2	275

Poly Valves (Compression x Threaded)

1"

New



Specially designed for Mini Sprinkler System

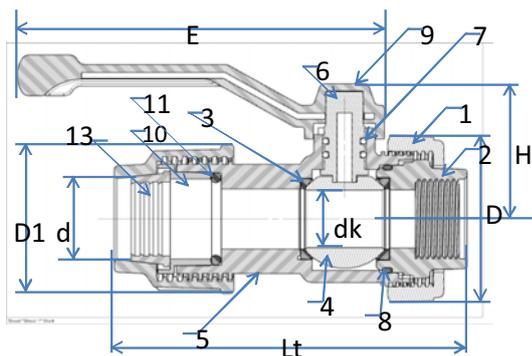
Specification Of Material

Part No.	Part Name	Material	Qty.
1	Ring	PP	1
2	Bush	PP	1
3	Seal	EPDM/TPE	2
4	Ball	UPVC	1
5	Body	PP	1
6	Shaft	UPVC	1
7	Shaft O-Ring	HNBR	2
8	Main O-Ring	HNBR	1
9	Handle	ABS	1
10	Compression Bush/Barbed Type	PP	1
11	C.F. O- Ring	HNBR	1
12	C.F. Cap	PP	1
13	C.F. Gripper	POM	1

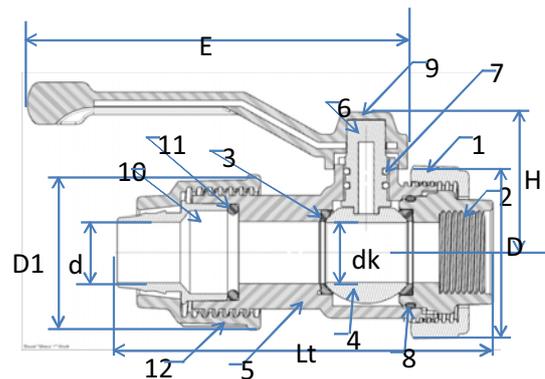
Features

- Quarter turn shut off valve.
- End connection : Threaded/Compression Type.
- Max. Pressure:10 bar/145 Psi.
- User friendly design allows smooth operation of handle.
- Industrial, chemical, turf & agriculture irrigation system, pool and spa application.
- All the parts are matching with the standards for the use of irrigation system.
- No leakage at working pressure range.
- More penetration of lateral pipe in the valve causes proper alignment.
- Permanent engraving of all specification and brand name on the product by changeable engraved inserts.
- Chemical/Corrosion resistant, Color UV stabilized.

Dimensions



HT-263 BVCF



HT-263 BVPF

Dimensions (mm)

Model No. & Size	Nominal Dia	BSP Thd./in	NPT Thd./in	ASTM d	BS d	DIN d	ISO d	dk	D	Lt	E	H
HT-263 BVCF (1")	25	11	11½	33.4	34	32	32	24½	68.4	141.3	148.3	57.2
HT-263 BVPF (1")	25	11	11½	33.4	34	32	32	24½	68.4	145.3	148.3	57.2



E-mail: contactus@automatworld.com
 Website: www.automatworld.com

Creating a Green World

Union PP Ball Valves

3/4", 1", 1 1/4", 1 1/2", 2", 2 1/2" & 3"



HT - 263

HT - 263 - Specially designed for Mini Sprinkler System

Features

- Specially designed long handle for sturdiness and ease of operation.
- Special inter-locking system (internal parts do not fall when union is opened).
- Compatible with Automat make push fitting and other standard quality push fittings.
- Pressure rating- PN-6.



HT - 267



HT - 268

Sizes Available

Sizes	3/4"	1"	1 1/4"	1 1/2"	2"	2 1/2"	3"
Single Union	HT-262SU	HT-263SU	HT-264SU	HT-265SU	HT-266SU	HT-267SU	HT-268SU
Double Union	N.A.	HT-263DU	HT-264DU	HT-265DU	HT-266DU	HT-267DU	HT-268DU

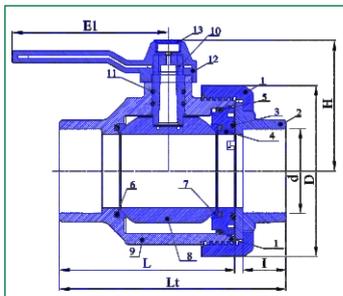


HT - 66FFDU

Specially designed & Approved in APMIP/TSMIP

Features

- Specially designed re-inforced handle with metal insert.
- It prevents breakage of handle in rough handling by farmers.
- **Most popular Union Ball Valve in AP/Telangana.**
- Pressure rating- PN-6.



Threaded & Plain Ball Valve Dimensions

Size	BSP	NPT	ASTM	BS	DIN	ISO	dk	D	l	L	Lt	E	H
	Thd./in	Thd./in	d	d	d	d							
20mm (3/4")	14	14	26.67	26	25	25	20	60	18	64.5	82.6	60.3	56.5
25mm (1")	11	11.5	33.4	34	32	32	24.5	69.2	20	71	93	70.5	62.6
40mm (1 1/2")	11	11.5	48.26	48	50	50	39.4	94.4	32	76.6	148.8	121	88.3
50mm (2")	11	11.5	60.33	60	63	63	49.5	116	35.4	88	175.4	149.9	97
65mm (2 1/2")	11	8	73.03	75	75	75	59	131.6	30.45	108.4	186.7	162	106
80mm (3")	11	8	88.9	89	90	90	76	176.8	43.4	140	213.8	198.3	139

Flanged PP Ball Valves

2", 2 1/2", 3"



HT - 267FL



HT - 268FL

Features

- Quarter turn handle operated ball valve.
- End connections : Plain/Threaded/Flange Socket
- For Plain Connection, PVC lining gives excellent gripping for slovent cement joints with PVC pipes.
- Max. Pressure: 6 Bar
- User friendly design allows smooth operation of handle.
- Load of the union nut does not transfer onto ball.
- TPE Seals with O-ring gives cushioning effect that ensures leakage free and low fixed torque.
- Chemical/Corrosion resistant, Color UV stablized.
- Available in :

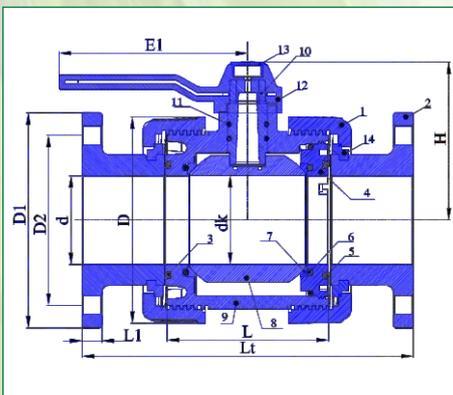
Size	2"	2 1/2"	3"
Model No.	HT-266FL	HT-267FL	HT-268FL

Material

S.No.	Parts Name	Material	Qty
1	SU / Flange Ring	PP	1/2
2	Socket/Flange	PP	1/2
3	Bush Small O-Ring	NBR	1
4	Bush	UPVC	1
5	Bush Big O-Ring	NBR	1
6	*Seal O-Ring	NBR	2
7	Seal	TPE	2
8	Ball	UPVC	1
9	Body	PP	1
10	Shaft	UPVC	1
11	Shaft O-Ring	NBR	**2
12	Handle	ABS	1
13	Handle Logo	ABS	1
***14	Flange Clamp	PP	2

* Only in 1 1/2" & 3" Ball valve, ** one in 2" Model,

*** Flange Ball valve part

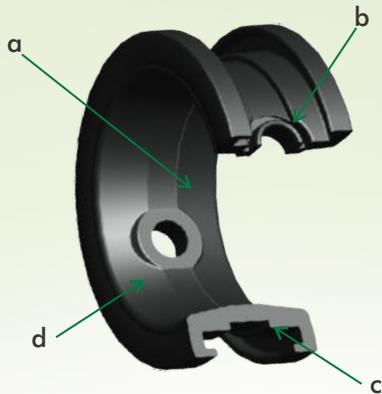


Flange Ball Valve Dimensions

Size	d	dk	D	D1	D2	L	L1	Lt	E	H
50mm (2")	50	49.5	116	152	114	88	16	206	150	97
65mm (2 1/2")	60	59	132	164	126	102.5	15.8	210	162.4	106
80mm (3")	76	76	176.8	183.8	145.3	141.3	16	275.4	200	139

Hybrid Butterfly Valve

2", 2½" & 3"



Approved in GGRC

Technical Specification

- Size: 50mm/ 2"- HT-81
65mm/ 2½"- HT-82
80mm/ 3"- HT-83
- Rating: PN10 (150 Psi)

Features

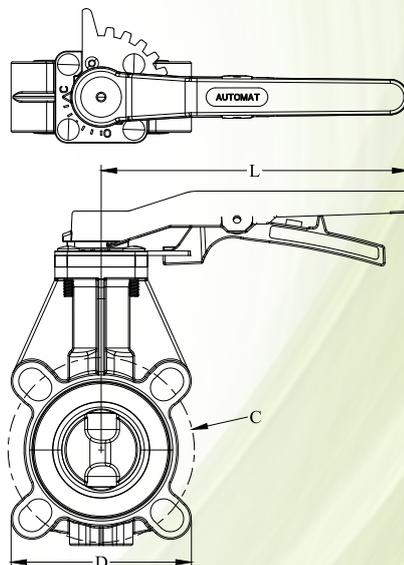
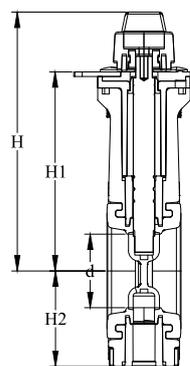
- Light Weight, easy to install.
- One Piece Body made of PVC-U.
- Disc designed ensuring low torque and low pressure loss.
- Suitable for piping in a limited space.
- **Rust Prevention**:- Main parts such as Disc, shaft and small parts such as bolting, washers are made of high graded stainless steel (SS304/316), for rust prevention.
- **Lock Plate** provided with throttling notches every 15° in balancing upto 90° or shut off service. The lever may be padlocked in any one of the notches position.

EPDM Rubber Seal

- a. Wide disc seating contact for good sealing performance.
- b. Dual shaft seal bearing for stabilized sealing function.
- c. Excellent gripping of rubber seal to avoid operating problems such as distortion, deformation and skidding caused by line pressure and friction with metal.
- d. Gasketless flange sealing contact for easy valve mounting.

Dimensions (mm)

Size	d	D	H1	H2	H	L	C
2"	50	117	130	62.4	156	198.5	120.8
2½"	65	112	134	88	161	198.5	137.5
3"	80	128	140.5	91	182	198.5	155.5



PVC Wafer Swing Check Valve

3" & 4"



New

Used in-line as a non return valve to stop fluids flowing back through your system.

Technical Specifications

- Type of check valve: Swing Type Check Valve
- Connection: 3" (80mm) & 4" (100mm)
- Max. Operating Pressure: 6.0 kg/cm²
- Min. return pressure: 0.2bar or 3Psi (Minimal downstream pressure to keep the valve closed in horizontal position).
- Horizontal and vertical installation.

Features

- High performance and Cost Effective design.
- Requires little space in the piping system
- PVC-U Material gives excellent chemical and corrosion resistant
- Prevents leakage from flap seal at lower pressure
- Easy installation: Wafer body slips between the standard flanges
- No flange gaskets required.
- Arrow for correct installation of Check valve.
- Light weight.

Ball Type Check Valve - Kaveri (NRV)

2", 2½" & 3"

New

Used in-line as a non return valve to stop fluids flowing back through your system.



Technical Specifications

- Type of check valve:
Guided Ball Check Valve
- Connection: 2" (50mm),
2½" (65mm) & 3" (80mm)
Plain & Female threaded
- Max. Operating Pressure:
6.0 kg/cm²
- Min. Cracking pressure:
Valve begins to open at 2 to
3Psi
- Horizontal and vertical
installation

Features

- High performance and Cost Effective design.
- Delivers High Volume of water quickly with unrestricted full flow.
- Guided half Ball for smooth operation.
- Polypropylene Material gives excellent chemical and corrosion resistant.
- Prevents leakage from Ball seal at lower pressure.
- Connection of two body parts by plated steel bolts, nuts & washers for long life.
- Two Pressure Ports.
- Inlet Pressure port can work for priming of pump also.
- Arrow for correct installation of Check valve.
- Light weight.

Premium Ball Type Check Valve - Harit (NRV)

2", 2½" & 3"

New

Approved in APMIP/TSMIP

Allows the flow of water in one direction to avoid the reverse flow during the closure of Pump.

Specifications

- Type of check valve : Spring loaded guided ball check valve
- Connection: Flanged end
- Max. operating pressure: 6.0 kg/cm²
- Min. cracking pressure: Valve begins to open at 2 to 3 Psi
- Horizontal and vertical installation
- Available in : 2" - HT-96SL
2 ½" - HT-97SL
3" - HT-98SL



HT-97



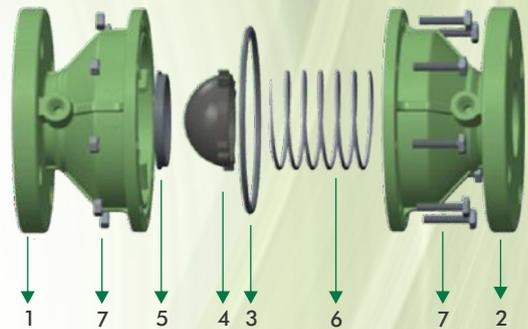
HT-96

Application

- To be used after pumps and boosters, lateral pivots, filtration systems, Swimming pool and can also be used as a foot valve in suction line.
- Recommended for usage in micro/drip irrigation systems as a safety valve to prevent the water hammer and to maintain water column in delivery pipe.

Features

- High performance and Cost Effective design.
- Delivers High Volume of water quickly with unrestricted full flow.
- Spring Loaded Guided Ball for smooth & quick operation.
- Polypropylene Material gives excellent chemical and corrosion resistant
- Prevents leakage from Ball seal at lower pressure.
- Stainless steel Bolt, nut & Washer for long life.
- Two Pressure Ports.
- Inlet Pressure port works as indicator for priming of pump.
- Arrow for correct installation of Check valve.
- Light weight



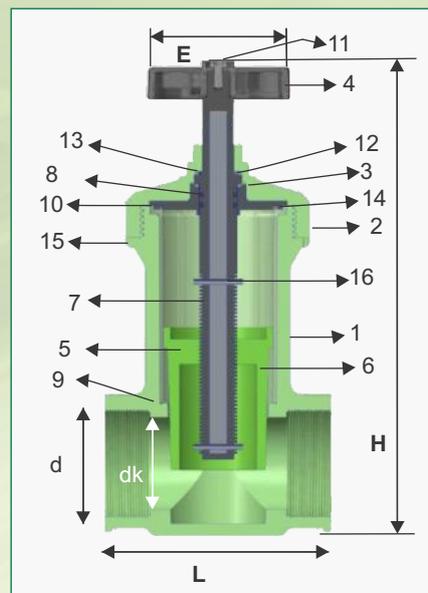
Material

S.No.	Parts Name	Material	Qty
1	Body (Inlet Side)	PP	1
2	Body (Outlet Side)	PP	1
3	Body O-ring	EPDM	1
4	Ball	PP	1
5	Ball Seal	EPDM	1
6	Spring	SS	1
7	Nut & Bolt	SS	8 each

Plastic Control (Throttle) Valve

प्लास्टिक कन्ट्रोल (थ्रोटल) वाल्व

2", 2½" & 3"



Dimensions

Size	BSP	NPT	d	dk	E	L	H
	Thd./in	Thd./in					
50mm(2")	11	11.5	65	48	117	130	275
65mm(2½")	11	8	74	63	117	182	393
80mm(3")	11	8	93	74	117	182	393

Specification of Material

Position	Description	Material	Qty.
1	Body	Reinforced PP	1
2	Flange	Reinforced PA	1
3	Disc	Reinforced PA	1
4	Handle	Reinforced PA	1
5	Cylinder	Reinforced PP	1
6	PC Housing	Polycarbonate	1
7	Shaft	Reinforced PA+MS	1
8	Shaft O-ring	NBR	2
9	Bottom Gasket	NBR	1
10	Sleeve Gasket	NBR	1
11	Handle Screw	MS	1
12	Teflon Seal Big	Teflon	1
13	Teflon Seal Small	Teflon	1
14	Housing Gasket	NBR	2
15	Locking Pin	SS-304	2
16	Dowel Pin(4*30) SS	SS-304	2

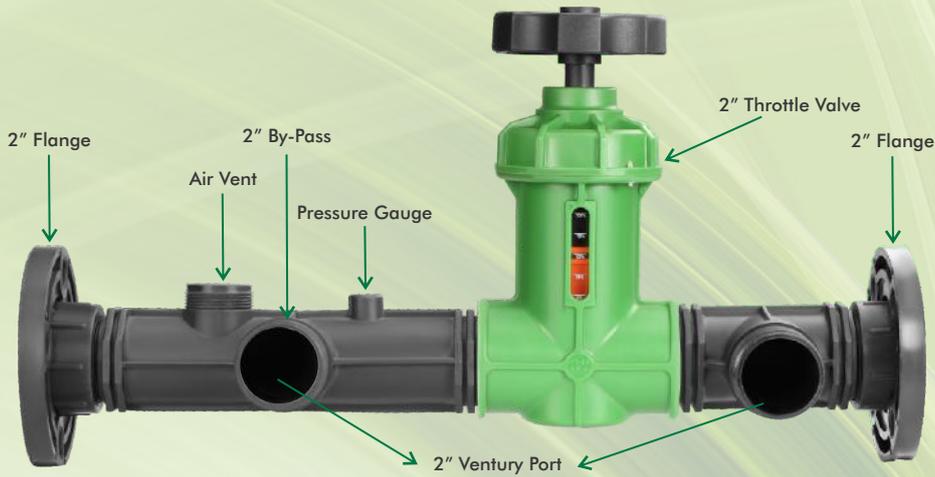
Features

- Multi Turn, Liner motion throttle valve
- End connections : Female Threaded type
- Max. Pressure : 8 Bar/ 110Psi
- Straight through flow with minimal pressure loss.
- Its slow operation pavement water hammer .
- Visual float position indicator to show us % throttle of piping system.
- *Steel Rod inserted in full length during injection moldings of Shaft made of Reinforced Nylon , that gives excellent strength without breakage during rough usage.
- Float, Body profile is matched by CNC matching for smooth operation and keeping the leakage under permissible limit during complete shut off.
- *Dowel pin inserted in the shaft to prevent extra travel of float which do not transfer load on during extra tightening by farmers. This prevents breakage of cap.
- *During assembly of throttle valve, 2 nos. lock pins inserted to avoid any slippage or loosening of threads of throttle valve cap.
- **Maintaining seat leakage permissible limit as per standard ANSI/FCI-70-2-2006 in Class III (0.10%) .**
- Chemical/Corrosion resistant, Color UV stabilized.

Header Assembly - Small Farm Application

2"

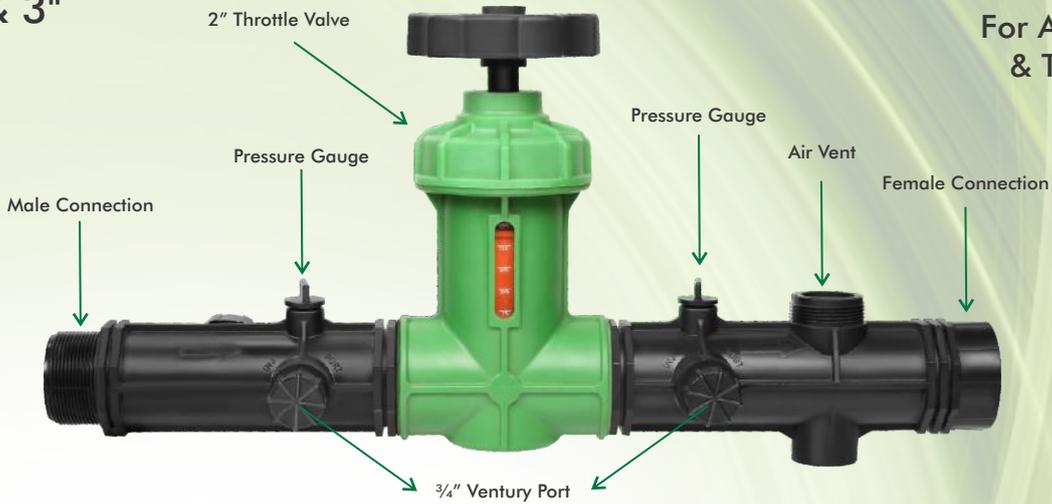
For Karnataka & Maharashtra



Header Assembly with Male X Female Connections

2", 2 1/2" & 3"

For AP, Telangana & Tamil Nadu



Fusion Welded Header Assembly Flange Ended

2", 2 1/2" & 3"

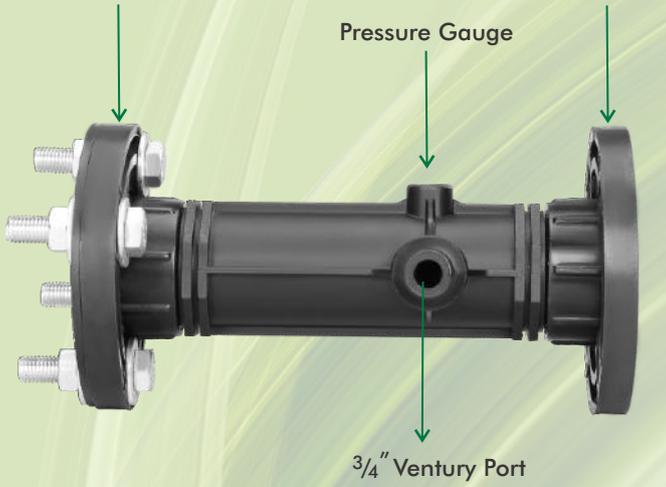
For AP, Telangana & Tamil Nadu



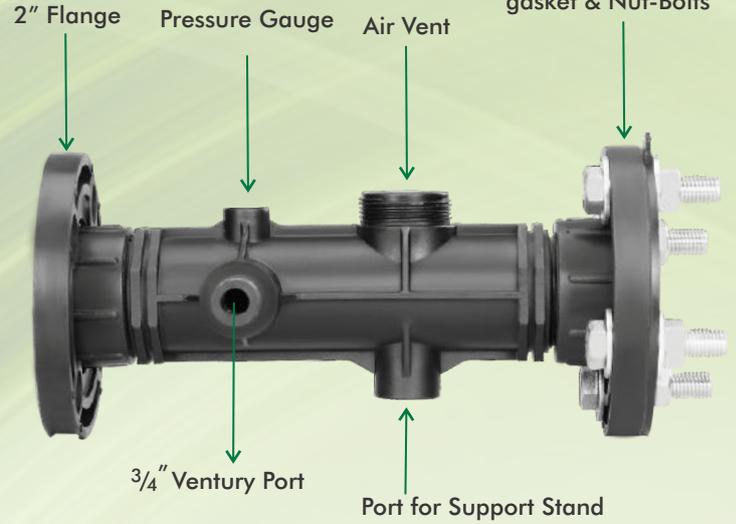
Header Assembly

2", 2 1/2" & 3"

2" Flange with rubber gasket & Nut-Bolts



2" Flange with rubber gasket & Nut-Bolts



Features

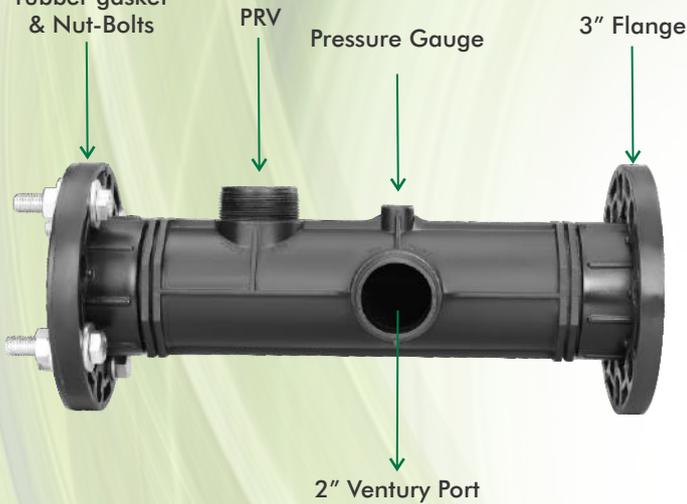
- Both 1" & 1 1/2" threaded connection for air vents in single port.
- Double Pressure gauge ports with brass bushes.
- Support for assembly to maintain sturdiness.
- Made of Glass reinforced engineering plastic which is much stronger than PP.
- UV Stabilized
- Corrosion resistant which is a major problem with metal Head Units.
- Pressure Rating : PN-8

Applications

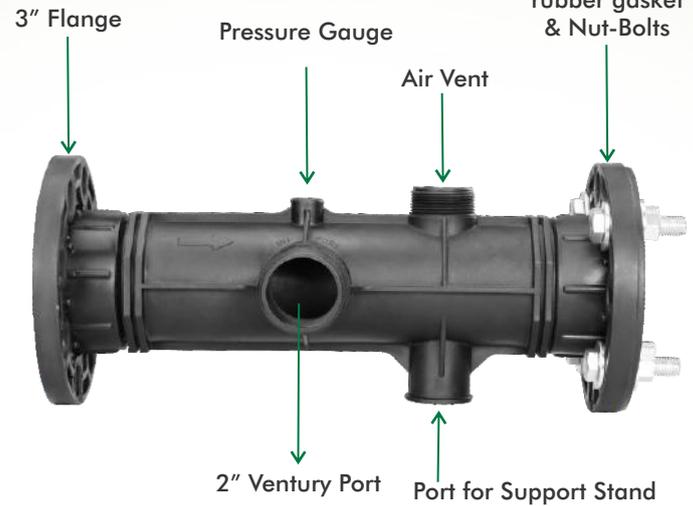
- Mini Sprinkler System
- Drip Irrigation
- Landscape Irrigation

Approved in GGRC

3" Flange with rubber gasket & Nut-Bolts



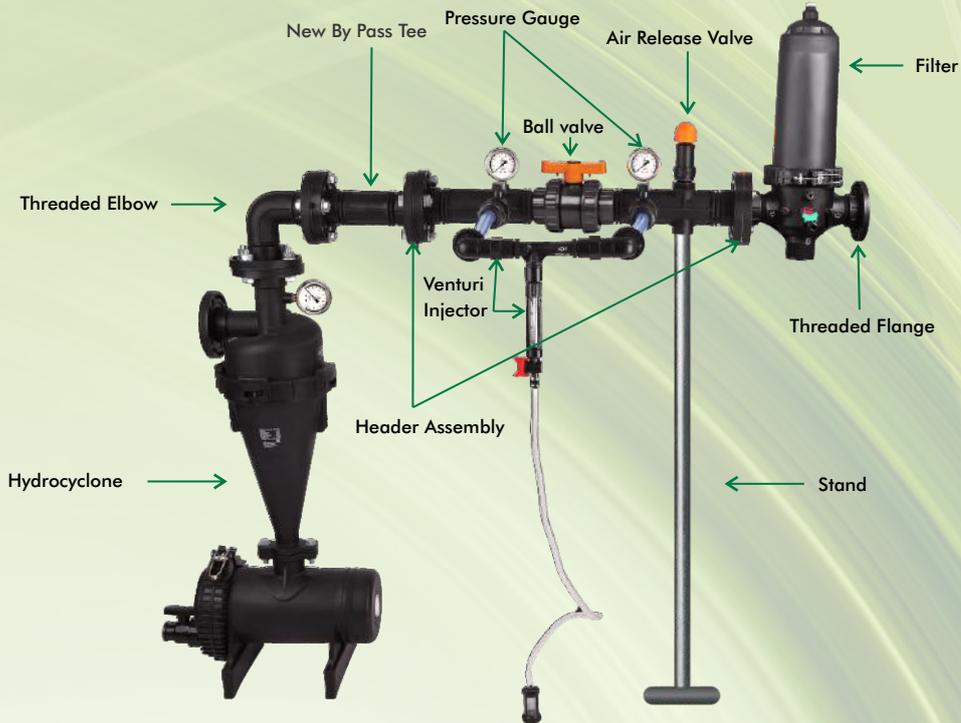
3" Flange with rubber gasket & Nut-Bolts



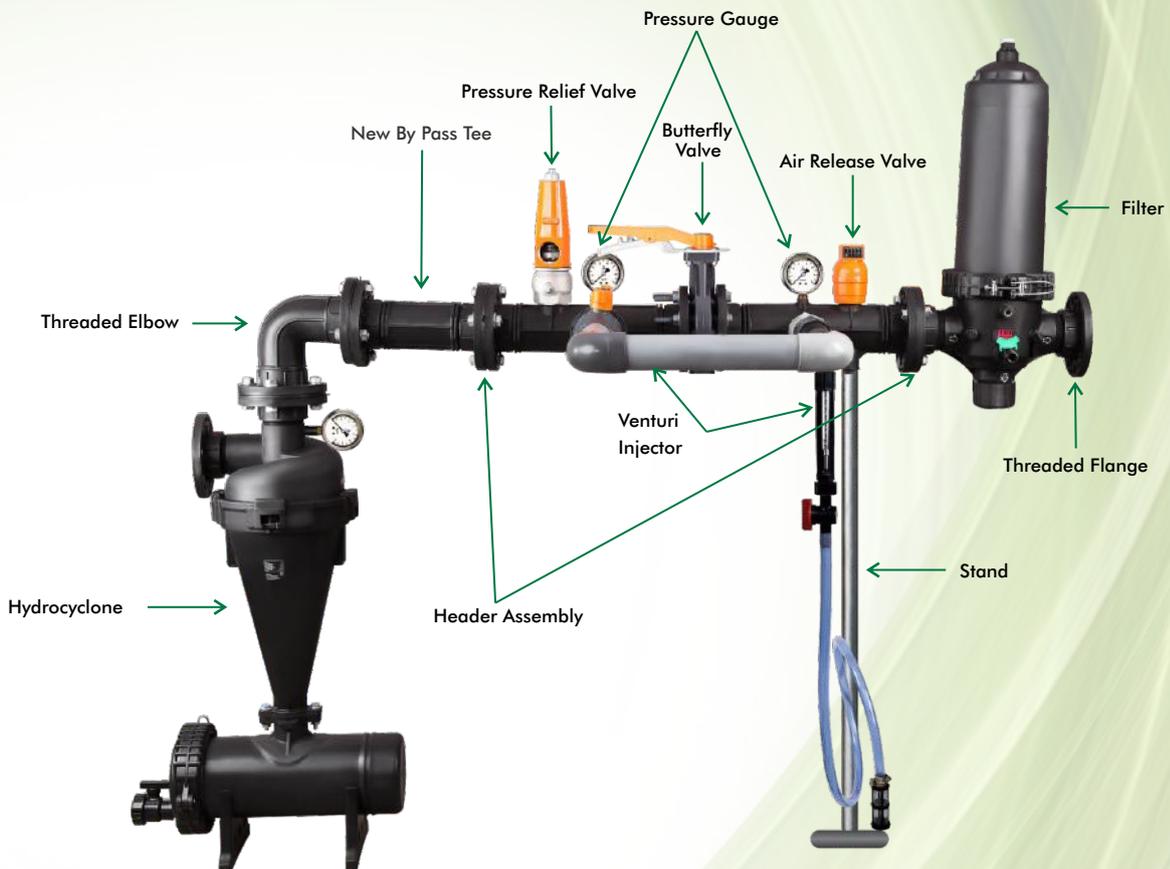
Smaller Outlet also available

Header Assembly

Assembled View - 2"



Assembled View - 2 1/2" & 3"



Plastic Air Release Cum Vacuum Relief Valve

प्लास्टिक एयर रिलीज एवं वैक्यूम रिलीफ वाल्व
3/4" , 1" , 1 1/2" , 2" & 3"



Specifications

- Durable, Weather Resistant and Non-corrosive Made of reinforced Polypropylene & Polyamide (Nylon)
- Maximum working pressure : HT-88P - 100 psi
HT-89P, 90P & 91P - 175 psi
- Seals at 5 Psi
- Available in :
 - 3/4" BSPT Male Thread Connection : HT-87 P
 - 1" BSPT Male Thread Connection : HT-88 P
 - 1 1/2" BSPT Male Thread Connection : HT-89 P
 - 2" BSPT Male Thread Connection : HT-90 P
 - 3" BSP/NPH Female Thread Connection : HT-91 P

विनिर्देश

- टिकाऊ, मौसम प्रतिरोधक व जंग रोधक है।
सुदृढ पॉलिप्रोपाईलिन व पॉलिअमाईड (नाईलोन) से निर्मित
- अधिकतम कार्यकारी दबाव - HT-88P - 100 psi
HT-89P, 90P & 91P - 175 psi
- 5psi पर पर सील हो जाता है।
- विभिन्न साईज आवश्यकता अनुसार उपलब्ध है
 - 3/4" BSPT मेल चूड़ीदार कनेक्शन - HT-87P
 - 1" BSPT मेल चूड़ीदार कनेक्शन - HT-88P
 - 1 1/2" BSPT मेल चूड़ीदार कनेक्शन - HT-89P
 - 2" BSPT मेल चूड़ीदार कनेक्शन - HT-90P
 - 3" BSP/NPH फिमेल चूड़ीदार कनेक्शन - HT-91P

Continuous Acting Air Release Cum Vacuum Relief Valve

लगातार कार्यवाहक एयर रिलीज एवं वैक्यूम रिलीफ वाल्व
2"



Specifications

- Available in : 2" BSPT Thread Connection : HT-90 CP
- Manufactured Out of Durable, Weather Resistant and Non-corrosive reinforced Polyamide (Nylon)
- Minimum sealing Pressure : 5 psi
- Working Pressure : HT-90CP: 5-224 psi
- Threaded Elbow Outlet

विनिर्देश

- उपलब्ध साईज : 2" BSP चूड़ीदार कनेक्शन - HT-90CP
- मौसम प्रतिरोधक, टिकाऊ और कम क्षयकारी, सुदृढ पॉलिप्रोपाईलीन और पॉलीअमाईड (नाईलोन) निर्मित
- 5psi दबाव पर निर्मित
- कार्यकारी दबाव : HT-90CP: 5-224 psi
- बाह्य चूड़ीदार एल्बो

Metal Air Release Cum Vacuum Relief Valve

मेटल एयर रिलीज एवं वैक्यूम रिलीफ वाल्व
1/2", 3/4", 1", 1 1/2", 2", 3" & 4"



Specifications

- Simple Design Ensures Trouble-free Performance
- Cast Aluminium Body Combines the Dual advantage of being Lightweight as well as Provides Corrosion resistance
- Synthetic Rubber Seal Assures Positive Rubber Seal Even with Low Head Applications
- Available in :
 - 1/2" BSPT Thread Connection : HT-86
 - 3/4" BSPT Thread Connection : HT-87
 - 1" BSPT Thread Connection : HT-88
 - 1 1/2" BSPT Thread Connection : HT-89
 - 2" BSPT Male Thread Connection : HT-90
 - 3" BSP/NPH Thread Connection : HT-91
 - 4" BSP/NPH Thread Connection : HT-92

विनिर्देश

- साधारण डिजाइन परेशानी रहित कार्य निष्पादन हेतु
- ढली हुई एलुमिनियम बॉडी संरक्षण प्रतिरोध और हल्के होने के दोहरे लाभ प्रदान करता है।
- सिंथेटिक रबर सील जो हैड एप्लीकेशन होने के बावजूद सकारात्मक रबर सील का भरोसा दिलाती है।
- उपलब्ध - 1/2" बी एस पी चूड़ीदार कनेक्शन - HT-86
3/4" बी एस पी चूड़ीदार कनेक्शन - HT-87
1" बी एस पी चूड़ीदार कनेक्शन - HT-88
1 1/2" बी एस पी चूड़ीदार कनेक्शन - HT-89
2" बी एस पी चूड़ीदार कनेक्शन - HT-90
3" बी एस पी चूड़ीदार कनेक्शन - HT-91
4" बी एस पी चूड़ीदार कनेक्शन - HT-92

Pressure Relief Valve

प्रेसर रिलीफ वाल्व
2"



HT-102CLM
(Male Threaded)

HT-102CLF
(Female Threaded)

Features / विशेषताएँ

- Available in :
 - 2" BSP Male threaded connection : HT-102CLM
 - 2" BSP Female threaded connection : HT-102CLF
 2" की मेल व फिमेल चूड़ी के पाईप कनेक्शन के लिये उपलब्ध है।
- Aluminum Cover with 1 1/2" BSP/NPT Female threaded drain port एलुमिनियम से बना कवर जिसमें पानी निकासी के लिये 1 1/2" का ड्रेन पोर्ट दिया हुआ है।
- Orange color powder coated cover for easy visibility on unit and longer life. संतरी रंग की पाऊडर कोटिंग होने के कारण जंगरोधक है और लम्बे समय तक कार्यरत रहता है। संतरी रंग होने के कारण दूर से आसानी से दिखाई देता है।

Technical Specifications / तकनीकी विनिर्देश

- Pressure Relief Setting: 1.5 kg/cm² to 5.5 kg/cm² (20psi to 80psi)
प्रेसर रिलीफ सेटिंग : 1.5 किग्रा/सेमी² से 5.5 किग्रा/सेमी² (20psi से 80psi)
- Specify Pressure Setting: Factory set & sealed under actual hydraulic conditions.
निर्दिष्ट प्रेशर सेटिंग : पहले से निर्धारित प्रेशर के लिये फैक्ट्री सेटिंग भी उपलब्ध है।
- Pressure Relief Valve comes with preset pressure from factory at 4 kg/cm² (60 psi) which can be changed in field as per requirement by using a Pressure Gauge.
ये प्रेशर रिलीफ वाल्व फैक्ट्री द्वारा 4 किग्रा/सेमी² (60 psi) पर पहले से ही निर्धारित प्रेशर पर सेट करके दी जाती है, जिसे जरूरत अनुसार बदला जा सकता है।

Slip On Flange



Features

- Available in
2" HT-154 BSP/NPT Female Threaded
2 1/2" HT-155 BSP/NPT Female Threaded
3" HT-156 BSP/NPT Female Threaded
- Material : Reinforced Polypropylene
- Color : Black
- Chemical Resistant : Good Resistance to strong acids except highly active oxidizers, such as nitric acid. It also has excellent resistance to weak and strong alkalies and to most organic solvents.

Threaded Elbow & Tee



Features

Available in

Size	Threaded Elbow	Threaded Tee
50mm(2")	HT-174	HT-184
65mm(2 1/2")	HT-175	HT-185
80mm(3")	HT-176	HT-186

- Material : Reinforced Polypropylene
- Color : Black
- Smooth Flow and minimal pressure drop.
- UV Stabilized

Pressure Gauge Valve



Features

- 1/4" BSP/NPT male x Female threaded connection.
- Install valve underneath the pressure gauge.
- Increase the life of pressure gauges.
- Vibration of pressure gauge needle will reduce.
- Pressure rating: 6 bar.
- When needed, just open the valve and check line pressure.

Compression & Push Fittings



90° T Coupling
टी कप्लिंग



90° Male Threaded T
मेल थ्रेडिड टी



90° Male Threaded Elbow
मेल थ्रेडिड एलबो



Male Threaded Adapter
मेल थ्रेडिड अडॉप्टर



End Cap
एण्ड कैप



90° Elbow Coupling
एलबो कप्लिंग



Coupling
कप्लिंग

Features

- It prevents the problems which may arise due to size difference upto 0.5 in the pipes or ovality, easy to assemble and sealing feature.
- Pipe holder is made of Polyacetal.
- High impact resistance, also resistant to pulsed pressures.
- Seal is made of natural rubber and provides high sealing.
- Pressure Rating: PN-10 for Compression Fittings
PN-4 for Push Fittings.
- Sizes Available – 25mm to 32 mm.

Vacuum Breaker

New



Features

- Designed to protect enclosed tanks from collapse or structural damage during draining.
- Eliminates siphoning of dangerous fluids.
- Prevents vacuum which can cause damage to filters.
- Prevents pipe collapse during transient pressure drop.
- For corrosive or ultra-pure liquid applications.
- Sizes: 1/2", 3/4", 1" Male thread.
- Body & Float Materials : Reinforced Polypropylene.

Pressure Gauge



HT-305

Features

- Thread Size : 1/4" BSP Male
- Economical Version
- General Purpose Application
- Warranty : 12 months
- Dial : 2"



HT-310

Features

- Thread Size : 1/4" BSP Male
- General Purpose Application
- Warranty : 12 months
- Dial : 2 1/2"



HT-320

Features

- Thread Size : 1/4" BSP Male
- Rugged Construction
- Glycerine Filled
- Standard followed in General EN 837-1 / General EN 837-1
- Warranty : 12 months
- Dial : 2 1/2"

Lateral Valve



Barb x Barb

- 12mm x 12mm
- 12mm x 16mm
- 12mm x 20mm



Barb x Barb

- 16mm x 16mm
- 16mm x 20mm
- 20mm x 20mm



1/2" Male Thread x Barb

- 1/2" Male Thread x 12mm
- 1/2" Male Thread x 16mm
- 1/2" Male Thread x 20mm



3/4" Female Thread x Barb

- 3/4" Female Thread x 12mm
- 3/4" Female Thread x 16mm
- 3/4" Female Thread x 20mm



3/4" Male Thread x Barb

- 3/4" Male Thread x 12mm
- 3/4" Male Thread x 16mm
- 3/4" Male Thread x 20mm



Male Thread x Male Thread

- 1/2" Male Thread x 1/2" Male Thread
- 3/4" Male Thread x 3/4" Male Thread

Compression Drip Fittings



Compression Coupler



Compression Tee



Compression x MPT Adaptor



Compression Elbow

Features

- Color Coded gripper for easy identification.
- Faster and easier to install, simply push drip tubing into fittings for tight connection and get unobstructed flow.
- Full flow and no pressure drop.
- Very tight fit with no tools, gluing or clamps required.
- Superb gripping of PE tubing, no slipping at high pressure and no leakage at low pressure.
- Ultra sonic welded grippers for no leakage and longer life.
- Impact, UV and Chemical Resistant.

Automatic Irrigation Controller & Solenoid Valves



HT-AIC-10

- Farmer User-Friendly:-Have very simple and minimum programming step as compared to existent controllers in market.
- Suitable for erratic electricity availability conditions where the real time controllers could not perform.
- Has pause delay feature which shuts the pump for 30 seconds during change of stations (Valves) to maintain the hydraulic balance in the main line. Has inbuilt rain sensor feature and its sensibility to even pure rain (distilled water) is there.
- Specially designed stand for controller.
- Can operate 10 solenoid Valves individually in sequence
- Electrical Power Supply 230VAC, 50Hz.
- Electrical output- 24VAC, 2Amps i.e. 1amps per station (up to 2 valves/station can be operated simultaneously)



Solenoid Valves

- Heavy Duty, corrosion and UV Resistant PVC construction increases the life of the valve.
- External Bleed Screw with Removable Metering Pin-Allows for easy cleaning of the metering pin without disassembling the valve.
- Manual Internal Bleed through Solenoid-Provides for manual operation without discharging water outside the valve.
- Removable Inlet Cap-Allows for easy conversion from globe to angle-style valve.
- Flow Control-Allows for precise flow adjustment and manual shut off.
- Captured Plunger-Allows for the solenoid to be removed without losing the internal plunger.
- Heavy Duty Santoprene" Diaphragm-Unique design improves durability of diaphragm.
- Sizes available : 1", 1 1/4", 1 1/2" & 2".
- MOC : Nylon glass filled .

Aquadrip Automatic Watering System for Potted Plants



Capillary Micro Stake

Features

- Pressure Compensating Dripper's gives constant flow of discharge in event of variation of pressure in supply line.
 - Various types of drippers are available for different requirements of plants (2 lph, 4 lph & 8 lph) respectively.
 - Capillary tube of 3.3x0.8mm available in standard length of 50, 85 & 100cm
- | | | | | |
|--------------------------------|-----|-----|-----|-----|
| Pressure (kg/cm ²) | 0.5 | 1.0 | 1.5 | 2.0 |
| Flow (lph) | 1.9 | 2.8 | 3.6 | 4.5 |
- Battery operated controller, hence no need to rely upon electricity supply.
 - Easy programming for start time, watering duration & irrigation frequency depending upon climatic conditions.



E-mail: contactus@automatworld.com
 Website: www.automatworld.com

Creating a Green World

Brass QCVs



Features

- One piece solid brass construction for durability
- Stainless Steel Spring
- Brass Valve
- Drain hole in body to minimize debris collection
- Specially designed grommet
- Auto close lid when not in use
- Cover made of Thermo Plastic Elastomere

Plastic QCVs



Features

- Click Lock on lid
- Stainless Steel Spring
- Specially designed grommet
- UV Stabilized
- Rugged two piece valve body design
- "Push & Lock" Key
- Specially designed for application in public area
- Plasson Compatible

Aluminium QCVs



Features

- Auto close lid made of rubber when QCV is not in use
- Single piece construction for 76A & double piece construction for 77A
- Stainless Steel Spring
- Brass valve
- Steel key with Handle

Model No.	Product Name
HT-70B	3/4" Brass QCV
HT-70BK	Opener for HT-70B
HT-70SE	3/4" X 3/4" Swivel Elbow
HT-71B	1" Brass QCV
HT-71BK	Opener for HT-71B
HT-71SE	1" X 1" Swivel Elbow
HT-72B	1 1/2" Bronze QCV
HT-72BK	Opener for HT-72B
HT-72SE	1 1/2" X 1" Swivel Elbow

Model No.	Product Name
HT-70PM	3/4" Plastic QCV
HT-70PMK	Opener for HT-70PM
HT-70SEP	3/4" X 3/4" Swivel Elbow
HT-71PM	1" Plastic QCV
HT-71PMK	Opener for HT-71PM

Model No.	Product Name
HT-76A	1" Aluminium QCV
HT-76AK	Opener for HT-76A
HT-77A	1 1/4" Aluminium QCV
HT-77AK	Opener for HT-77A

Brass Hydraulic Control Valve with Pilot



Reinforced Nylon body plastic pilot is also available

working range : 0.5-3.0 bar
: 0.5-5.5 bar

Features

- Simple and robust design, only 4 parts involved.
- Light in weight for easy installation and maintenance.
- Brass Body and cover plate for durability and corrosion resistant.
- Metal reinforced rubber valve lid designed for smooth operation without deformation at high pressure with drop tight shutoff.
- Very less down time.
- Min. Head loss due to its inside design.
- Arrow for correct installation of Hydraulic valve.
- Compatible with most irrigation controller available in market.
- Sizes available: 1", 1 1/2" & 2"

Swing Joints



Features

- Full 3 way adjustability including height
- Durable polyethylene construction used for 1/2" & 3/4"
- Hi-Impact PVC material used for construction for 1"
- High quality EPDM O-ring threads used for seals
- Full 360° adjustment
- Heat resistant - operates at 50° C also

Model No.	Product Name
HT-2ASJ	1/2" X 1/2" Swing Joint
HT-2BSJ	3/4" X 3/4" Swing Joint
HT-2CSJ	1" X 1" Swing Joint

Warranty & Disclaimer

Automat products are warranted for one year from date of original sale to be free of defective materials and workmanship when used within the working specifications for which the product was designed and under normal use and service. The manufacturer assumes no responsibility for installation, removal or unauthorized repair. The manufacturer's liability under this warranty is limited solely to replacement or repair of defective parts, and the manufacturer will not be liable for any crop or other consequential damages resulting from any defects in design or breach of warranty.



18-19, Dilshad Garden, G T Road, New Delhi-110095. (INDIA) Tel. : +91-11-43099800-01-02, Fax : +91-11- 43099807

Website : www.automatworld.com : E-mail : contactus@automatworld.com



<https://www.facebook.com/automatindustries>



<https://www.youtube.com/automatindustries>



<https://twitter.com/automat2014>