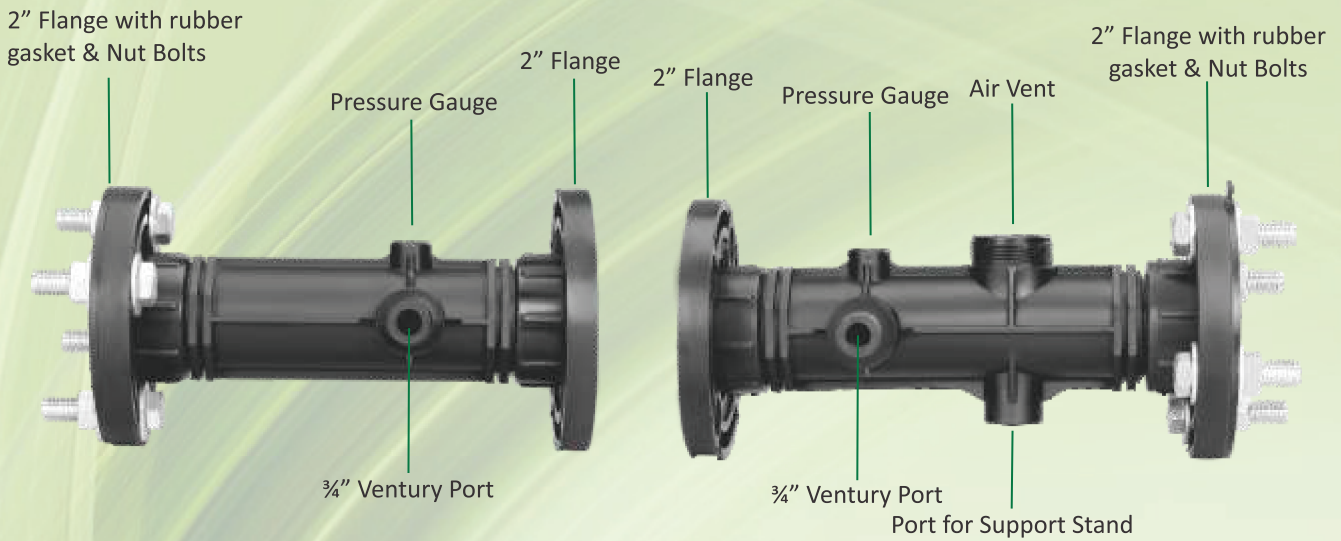


Header Assembly

2", 2½" & 3"



Features

- Both 1" & 1½" Connection for air vents in single port.
- Double Pressure gauge ports with brass bushes.
- Support for assembly to maintain sturdiness.
- Made of Glass reinforced engineering plastic which is much stronger than PP.
- UV stabilized.
- Corrosion resistant, which is a major problem with metal Head Units.
- Pressure Rating : PN-8.

Application

- Mini Sprinklers System
- Drip Irrigation
- Landscape Irrigation

Approved in GGRC

