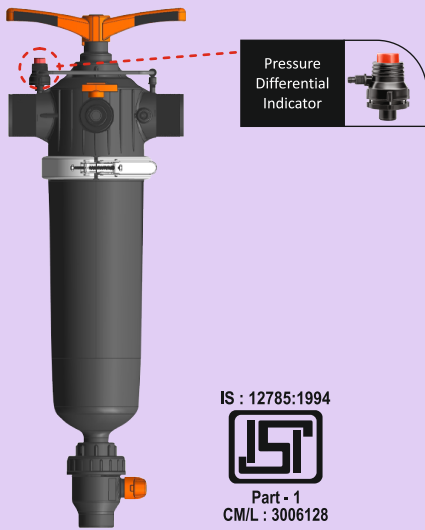


# Semi Automatic Disc Filter

2" & 3"



## Features

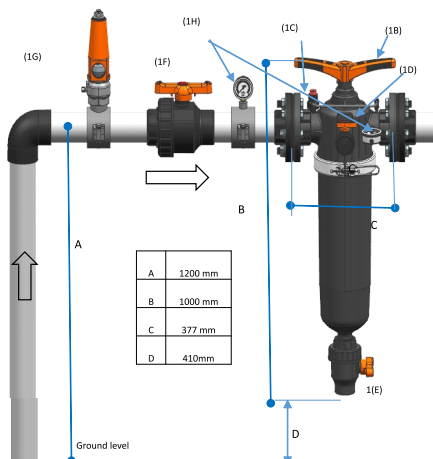
- Easy to install & Operate. Uniform distribution of flow into filter housing optimize filtration process.
- Colour coded discs available for 80, 120 & 150 mesh.
- Clean filtered water is used for backwashing which prevents contaminants to enter the filter during back flushing.
- A unique differential pressure indicator red cap pops up to indicate filter clogging during operation.
- Innovative disc cartridge design enable loosening & rotation of discs during back flushing to get efficient cleaning with high pressure water jets.
- Specially designed handle requires less torque to rotate it during backwashing & flushing can be quickly done by simply rotating handle 90° in clockwise direction which saves time.
- Distinctive Check valve results in high pressure jets for efficient cleaning of discs during backwashing.
- High Spinning effect by disc housing fan prevents particles in suspension to get deposit on the disc surface reducing cleaning frequency.
- Grooved disc design with high dimensional consistency allows to get more than 95% filter efficiency.
- List maintenance requirement.
- Made of engineering plastic ,Corrosion Free & Light weight compact design

Automat offers a new generation Semi-Automatic Disc filters in 2" (25m<sup>3</sup>/hr) & 3" (50m<sup>3</sup>/hr) that allows user to clean filter without opening disc cartridge like Automatic Disc filters without use of sophisticated & expensive control system in most economical way.

## Technical Details

Specifications	Model - 2" (134T-SAD)	Model - 3" (136T-SAD)
Inlet/Outlet Connections	BSP/NPT/Flanged /Victaulic	BSP/NPT/Flanged /Victaulic
Nominal/Max. Recommended Pressure	6 kg/cm <sup>2</sup>	6 kg/cm <sup>2</sup>
Range of Recommended Flow Rate	18-27 m <sup>3</sup> /hr	35-50 m <sup>3</sup> /hr
Min. Recommended Flush pressure	2 kg/cm <sup>2</sup>	2 kg/cm <sup>2</sup>
Filtration Surface Area	1620 cm <sup>2</sup>	1620 cm <sup>2</sup>
Material of Construction	Poly Propylene Glass Filled (PPGF), Nylon Glass Filled	Poly Propylene Glass Filled (PPGF), Nylon Glass Filled
Available Filtration Degree (Microns)	200/130/100	200/130/100

## Physical Dimensions



A	1200 mm (Main pipe line centre to ground level)
B	1000 mm( Filter total height)
C	377 mm( Connection to Connection)
D	410mm( Flush valve to ground level)
1B	Handle Assembly kit
1C	Clogging Indicator kit
1D	Screen backwash valve -3/4" Mx F
1E	Flush valve-1 1/2" FXF
1F	Isolation valve
1G	Pressure Relief valve
1H	Pressure gauge



**AUTOMAT IRRIGATION PRIVATE LIMITED**

Website: [www.automatworld.com](http://www.automatworld.com) | e-mail: [contactus@automatworld.com](mailto:contactus@automatworld.com)



<https://www.facebook.com/automatindustries>



<https://www.youtube.com/automatindustries>