

# Single Union PVC Ball Valve

4"



## Features

- Quarter Turn Hand operated ON/Off Ball Valve.
- End connections : Threaded/Plain Socket
- Operating Pressure: 10 Bar
- User friendly design allows smooth operation of handle.
- Handle with ribs for good gripping in operation
- Union nut load does not get transferred on to ball.
- TPE effect ensures leakage free and low fixed torque.
- Chemical/Corrosion resistant, Color UV stabilized.

## Dimensions (mm)

PVC Ball Valve (Inlet - Threaded Male : Outlet - Threaded Female )

Nom Size	BSP Thd./in	NPT Thd./in	dk	D	I	L	Lt	E	H
100mm (4")	11	8	98.3	197	60	200	268	270.1	186

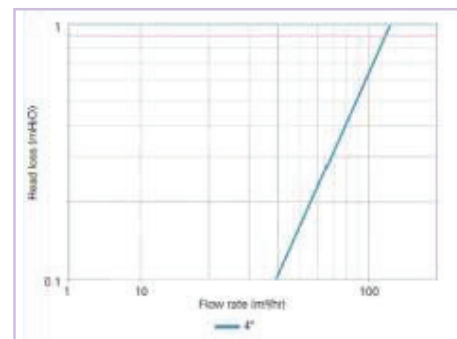
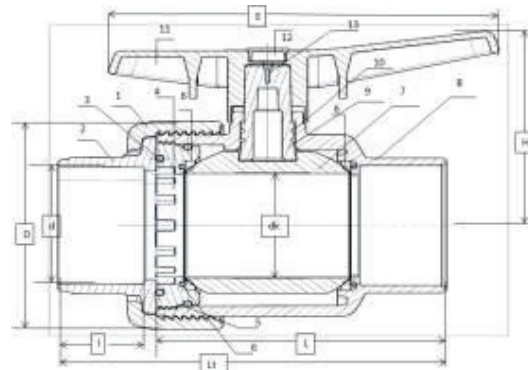
PVC Ball Valve ((Inlet - Solvent Cement Joint Female : Outlet - Solvent Cement Joint Female)

Nom Size	ASTM d	BS d	DIN d	ISO d	dk	D	I	L	Lt	E	H
100mm (4")	114.3	114	110	110	98.3	196.5	60	200	268	270.1	186

NOTE: This size & Type of ball valves also available in Polypropylene (PP) with Pressure Rating (PN-6)

## Material Specification

PART NO	PART NAME	MATERIAL	QTY.
1	Ring	UPVC	1
2	Socket	UPVC	1
3	Bush Small O-Ring	HNBR	1
4	Bush	UPVC	1
5	Bush Big O-Ring	HNBR	1
6	Seal	TPE	2
7	Ball	UPVC	1
8	Body	UPVC	1
9	Shaft	UPVC	1
10	Shaft O-Ring	HNBR	3
11	Handle	ABS	1
12	Handle Logo	ABS	1
13	Handle Screw	SS	1



E-mail: [contactus@automatworld.com](mailto:contactus@automatworld.com)  
 Website: [www.automatworld.com](http://www.automatworld.com)

*Creating a Green World*