

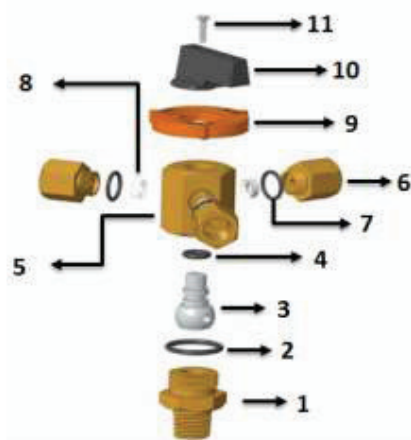
# 3 Way Valve

Brass



## Features & Specifications

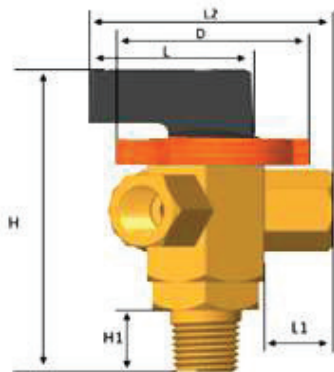
- Designed for three hydraulic flow control positions.
- Common Port at base of the valve body.
- Base Port Thread: Male threaded
  - (i) 1/4" - 19 BSPT or 1/4" - 18 NPT
  - (ii). 1/8" - 28 BSPT or 1/8" - 27 NPT
- Three Ports Thread: Female threaded
  - (i) 1/8" - 28 BSPT or 1/8" - 27 NPT
  - (ii). 1/4" - 19 BSPT or 1/4" - 18 NPT
- Passage Size: 3.2 mm (1/8") or 5.6 mm (1/4")
- Max. Pressure: 16 Bar/ 230Psi
- One moving part only.
- Three hydraulic control positions: Open, Close & Automatic.
- All valves are sealed when handle position in between port position.
- High quality Teflon seals and Nickel plated brass ball resistant to all kind of irrigation water.
- Plastic parts are Chemical/Corrosion resistant, Color UV stablized.



## Material Specification

PART NO.	PART NAME	MATERIAL	QTY.
1	Base	Brass	1
2	Base O-ring	EPDM	1
3	Ball	Nickel Plated Brass	1
4	Ball O-ring	EPDM	1
5	Body	Brass	1
6	Nozzle	Brass	3
7	Nozzle O-Ring	EPDM	3
8	Seal	Teflon (PTFE)	3
9	Position Indicator	ABS	1
10	Handle	ABS	1
11	Screw	Stainless Steel	1
12*	Seal O-ring	EPDM	3

\*Available in 1/4"x1/4" - 3F Brass Valve



## Dimensions (mm)

Size	D	L	L1	L2	H	H1
1/4" M x 1/8" 3F	37	30	13	40.5	59.5	12
1/8" M x 1/8" 3F	37	30	13	40.5	59.5	12
1/4" M x 1/4" 3F	42.2	49.5	14	68	68.2	12