

Bronze Hydraulic Pilot based Control Valve

1", 1½" & 2"



Features

- Simple and robust design, only 4 parts involved.
- Bronze Body and cover plate for durability and corrosion resistant.
- Metal reinforced rubber valve lid designed for smooth operation without deformation at high pressure with drop tight shutoff.
- Very less down time.
- Minimum Head loss due to very efficient internal design.
- Arrow for correct installation of hydraulic valve.
- Compatible with most irrigation controllers available in market.
- Pilot designed for quick sensing of line pressure and work for pressure reducing, pressure sustaining/pressure relief.

Applications

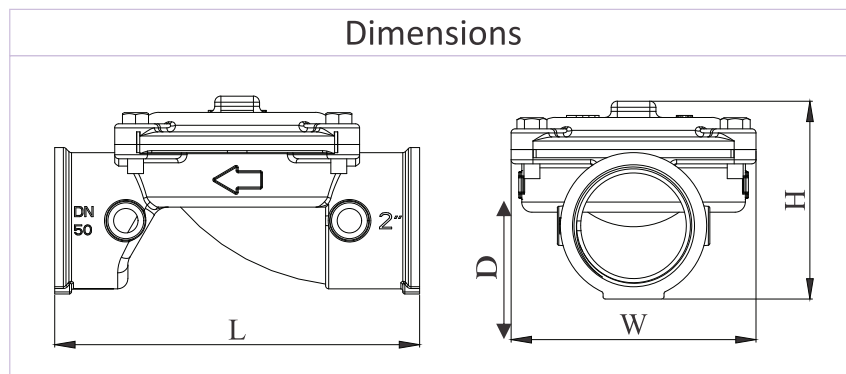
Pressure Reducing Valve

- The bronze hydraulic valve with brass/plastic pilot is best for general water supply system, irrigation, filtration network and systems subjected to sudden demand changes with medium pressure rating
- The valve maintains a preset downstream pressure regardless of upstream pressure or flow fluctuations.

Pressure Sustaining / Relief Valve

- Pressure sustaining valve installed in-line, it sustain minimum back pressure, preventing line emptying and pump overloading.
- Pressure relief valve installed off-line, when line pressure rises above a desired set pressure, the valve opens to reduce excessive upstream pressure..

Dimensions



Dimensions

Model No.	Valve Size		D		L		H		W	
	mm	Inch	mm	Inch	mm	Inch	mm	Inch	mm	Inch
AQ-332	25	1"	21.5	0.85	117	4.61	68.5	2.70	72	2.83
AQ-333	40	1½"	31	1.22	153.5	6.04	85	3.35	95	3.74
AQ-334	50	2"	39	1.54	180.5	7.11	100	3.94	119	4.69



E-mail: contactus@automatworld.com
 Website: www.automatworld.com

Creating a Green World