

3 WAY BALL VALVE

Line Changer (2½" & 3")



High
Flow Rate
with
Minimum
Pressure
Loss



Diversion of flow of water in a piping system made easy

A 3 way ball valve (line changer) is used where partial or full diversion of water from one pipe to two different pipes is required.

Features and Benefits

- **Efficient diversion & flow control:** Easy to divert flow in "L" direction from one sprinkler irrigation piping system to another. Option of partial diversion varying from 25% to 75% for better flow control.
- **Corrosion-proof & long-lasting:** The aluminum body enhances the valve's longevity compared to the existing 'Steel' made valves available in the market.
- **Effortless operation:** Long handle for effortless opening and closing of valve during flow diversion.
- **Proficient engineered design:** The internal construction of the valve allows minimum obstruction hence minimum pressure loss and high flow rate
- **Locking option:** Handle locking feature which prevents handle movement when the system is running.
- **Superior quality parts:** High quality ball & seal for long life.
- **Light in weight & durable:** Made of aluminium which gives it adequate strength, & makes it lightweight.
- **Stress-free maintenance:** Easy to dismantle and remove from piping system for maintenance.

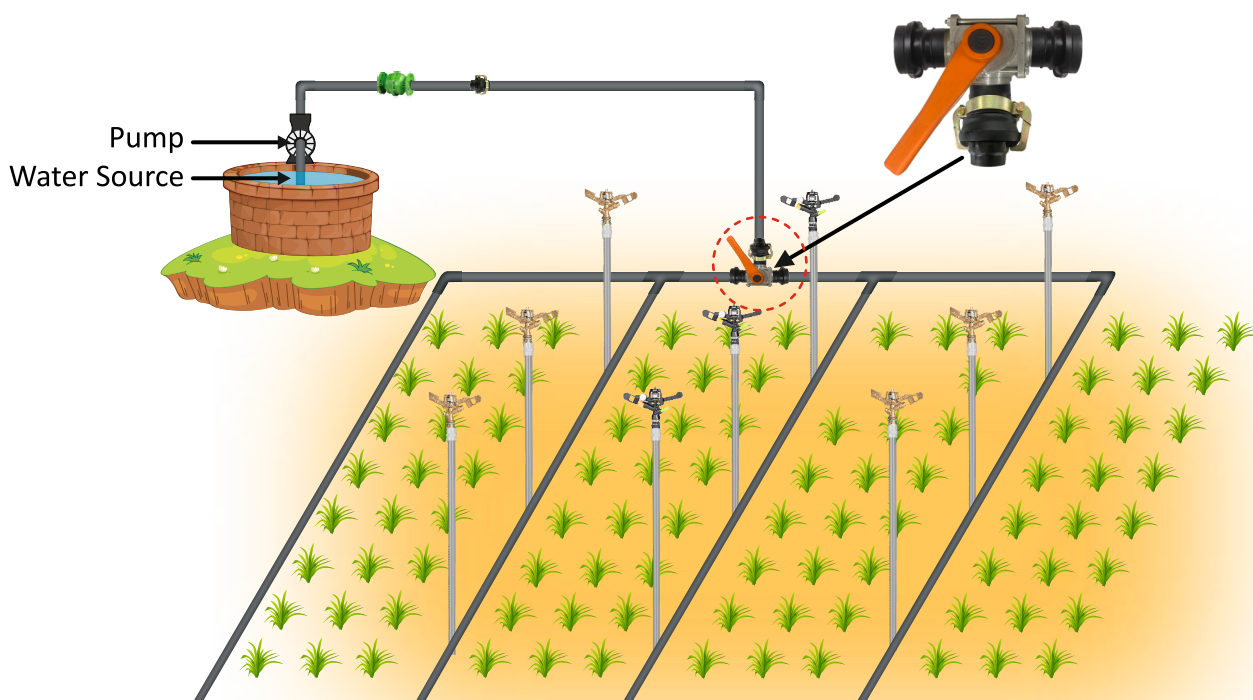


Applications

- Sprinkler irrigation
- Drip irrigation
- Flood irrigation
- Any water piping system

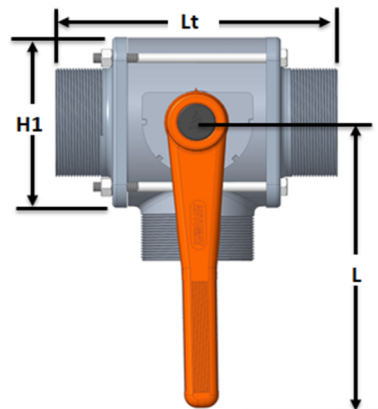
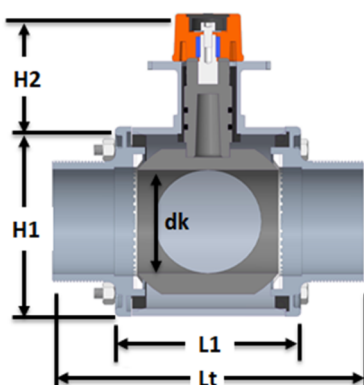
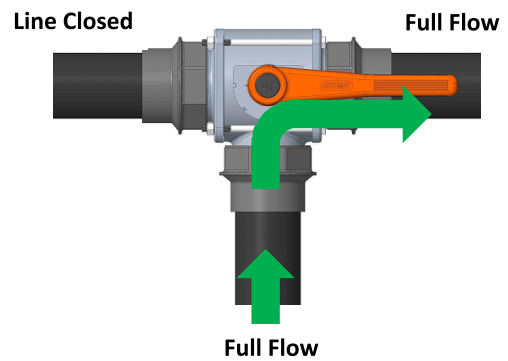
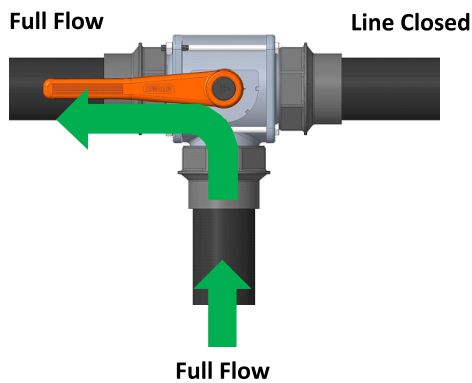
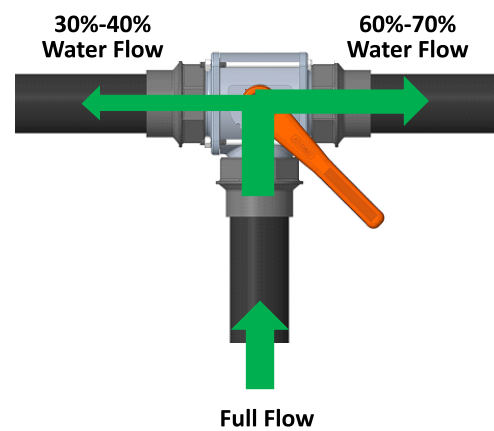
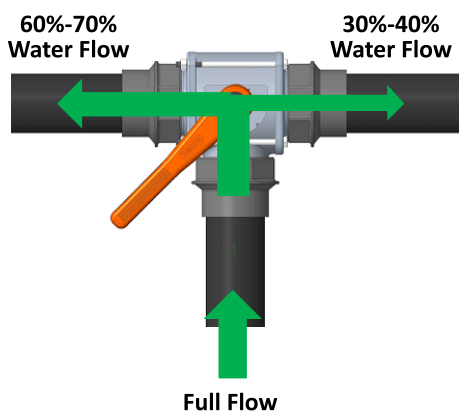
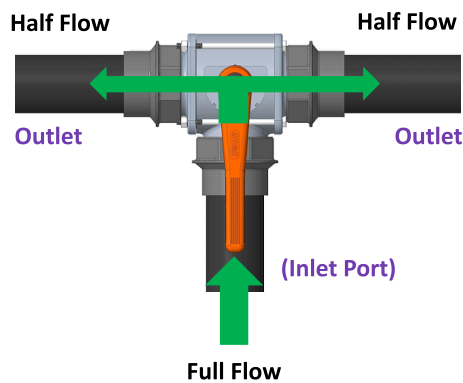
High-quality plastic HDPE Female Threaded Adapter (FTA)
(Available in 2½" and 3")

Installation of 3 way valve in a field



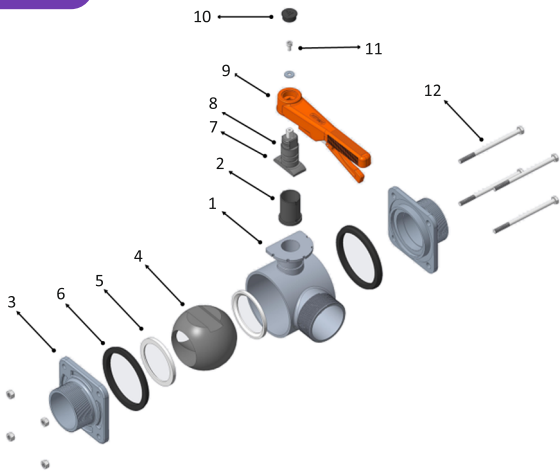
A Line Changer has 3 ports, one inlet and 2 outlets for diversion of water flow (partially or fully) from one pipe to two different pipes.

Flow Diversion



Dimensions			
Nominal Size		HT-367 65mm (2½")	HT-368 80mm (3")
BSP	Thd./in	11	11
dk	mm	59	76
H1	mm	107	138
H2	mm	89	89
L1	mm	113	130
Lt	mm	191	218
L	mm	230	230

Part List



Specification of Material

Part No.	Part Name	Material	Qty.
1	Body	Aluminum	1
2	Body Sleeve	POM	1
3	Flange	Aluminum	2
4	Ball	UPVC	1
5	seal	TPE	2
6	Gasket	NBR	2
7	Shaft assembly	UPVC+SS	1
8	Shaft O-Ring	NBR	3
9	Handle assembly	PPGF + Aluminum	1
10	Handle Logo cap	UPVC	1
11	Handle Screw+Washer	SS	1 set
12	Long Bolt+Nut+ Washer	Steel Plated	4 set

