

Pressure Reducing / Pressure Sustaining Plastic Pilot

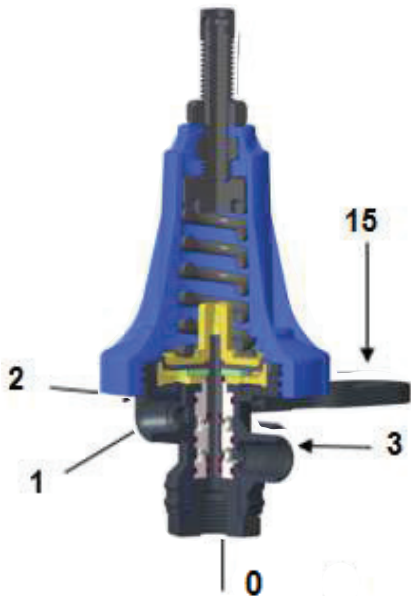


Features

- Simple and robust design, only 4 parts involved.
- Light in weight for easy installation and maintenance.
- Glass Reinforced plastic Base & Body for strength.
- Pilot designed for quick sensing of line pressure and work for pressure reducing, pressure sustaining/Pressure relief.
- Very less down time.
- Marking for correct installation of hydraulic valve.
- Compatible with all hydraulic valves available in market.
- Color Coding Body for identification of Pressure adjusting range.
- UV & chemical resistant for long life.
- PE/PVC tubing & accessories are compatible for high pressure.

Applications

- Hydraulically operated designed for green house irrigation system as well as turf and field crop irrigation.

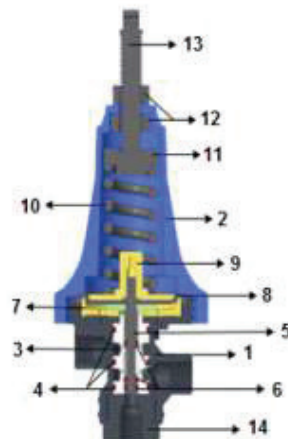


Pilot Valve Pressure Reducing Ports:

Port	Pressure Reducing
1	Sensing / Downstream
2	Vent
3	Control Chamber
0	Pressure / Upstream

Pilot Valve Pressure Sustaining / Pressure Relief Ports:

Port	Pressure Sustaining
1 & 2	Sensing / Upstream
3	Control Chamber
0	Vent



Technical Specifications

- Function: Universal (Pressure Reducing, Sustaining or Relief)
- Operating System: 3 -way
- Suitable for valve sizes : 20mm to 150mm (¾" to 6")
- **Maximum Operating Pressure**
Plastic Pilot: 10 bar
- **Ports connection**
3 Way Plastic Pilot Port: Female threaded 1/8" -28 BSP or 1/8" -27NPT
- **Pressure Adjustment Range**

• Plastic Pilot

Identification of Pilot	Adjustment
Blue Body	0.5-2.5 kg/cm ² (7 to 36Psi)
Red Body	0.5-5.5 kg/cm ² (7 to 80Psi)

Material Specification

PART NO	PART NAME	MATERIAL	Qty
1	Pilot Base	Reinforced PA	1
2	Pilot Base Cap	Reinforced PA	1
3	Stem Cylinder	Teflon	1
4	Stem Cylinder O-ring	NBR	3
5	Stem	Stainless Steel	1
6	Stem O-ring	NBR	3
7	Diaphragm Seat	Acetal	1
8	Diaphragm	NBR	1
9	Actuator	Acetal	1
10	Spring	Alloy Special Steel	1
11	Spring Button	Stainless Steel	1
12	Nut	Stainless Steel	2
13	Adjusting Screw	Stainless Steel	1
14	End Cap	PA	1
15	Base Plate	PA	1



E-mail: contactus@automatworld.com
Website: www.automatworld.com

Creating a Green World