

# Filter Backwash Hydraulic Valves

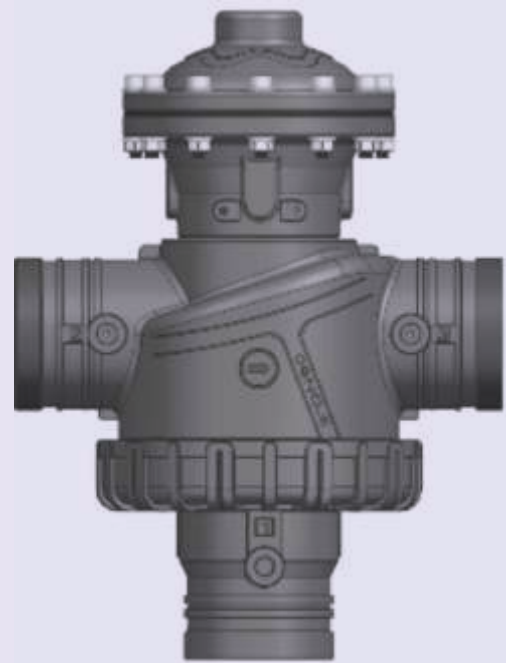
3" x 3" Plastic

## Applications

- Used for Automatic Backwash of Filters Batteries of Sand Filters  
Disc Filters  
Screen Filters
- Single Filter Autonomic Backwash System

## Features and Benefits

- Double chamber robust construction ensures lo pressure actuation & protection of diaphragm.
- Superb Hydraulic design requires low actuation pressure & Dynamic seal design prevents seal against friction & erosion.
- Made up of UV stabilized Engineering grade plastics makes it light weight, corrosion & chemical resistant & durable in outdoor applications.
- It is User- Friendly & can be installed in various orientations, possible in-line inspection and service.
- Short Valve travel ensures stability & reduce reaction time.

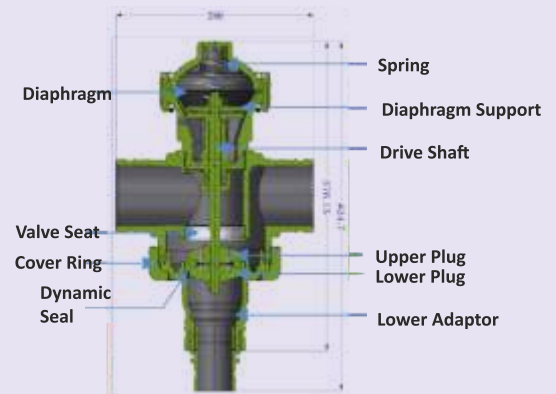


## Technical Data

Control Chamber Displacement Volume	280ml at 1 bar, 435 ml at 10 bar
Operating Pressure	0.8 Bar
External Operating Pressure	0.8-10 Bar
Maximum Temperature	-5 to 60°C
Available Connections	3" Grooved/Threaded

## Material Of Constructions

Valve Body	PAGF
Lower Adapter	PAGF
Cover	PAGF
Diaphragm	N R
Shaft	SS
Plug	POM



Dimension			3" x 2" x 3" victaulic	3" x 3" x 3" victaulic
Height	H	MM	425	377
Length	L	MM	286	286

