



**FOR
EFFECTIVE
USE IN MINI
SPRINKLER
SYSTEMS**

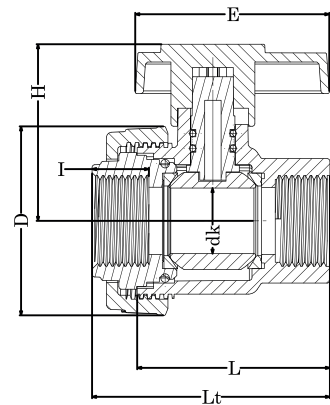


**1" Single Union
PP Ball Valve (PN-4)**



Features

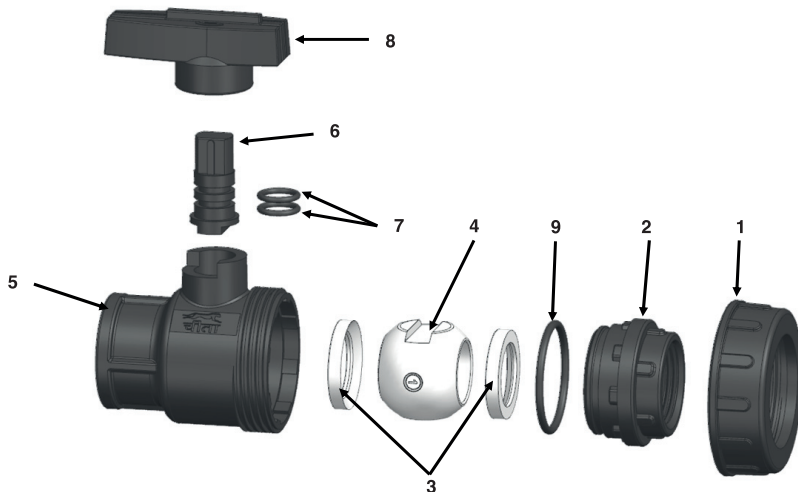
- Specially designed for use in Mini Sprinkler and other irrigation systems.
- This valve is also suitable for use in water tanks and household plumbing.
- Leakage proof: The 'ball' inside the valve is made up of special material that reduces the wear & tear during operation & ensures smooth & leak-proof working.
- Best in class in terms of durability & sturdiness.
- Union design helps in easy installation & maintenance.
- The valve is UV & colour stabilized which enhances its life.



PP Ball Valve (Inlet - Threaded Female : Outlet - Threaded Female)

Nom	BSP	dk	D	I	L	Lt	E	H
Size	Thd./in							
25mm (1")	11	23.5	68	22	73	88	70	63.5

Note: the Dimensions may vary ± 1 mm as declared.



PART NO.	PART NAME	QTY.
1	Ring	1
2	Bush	1
3	Seal	2
4	Ball	1
5	Body	1
6	Shaft	1
7	Shaft O-ring	2
8	Handle	1
9	Main O-ring	1

