

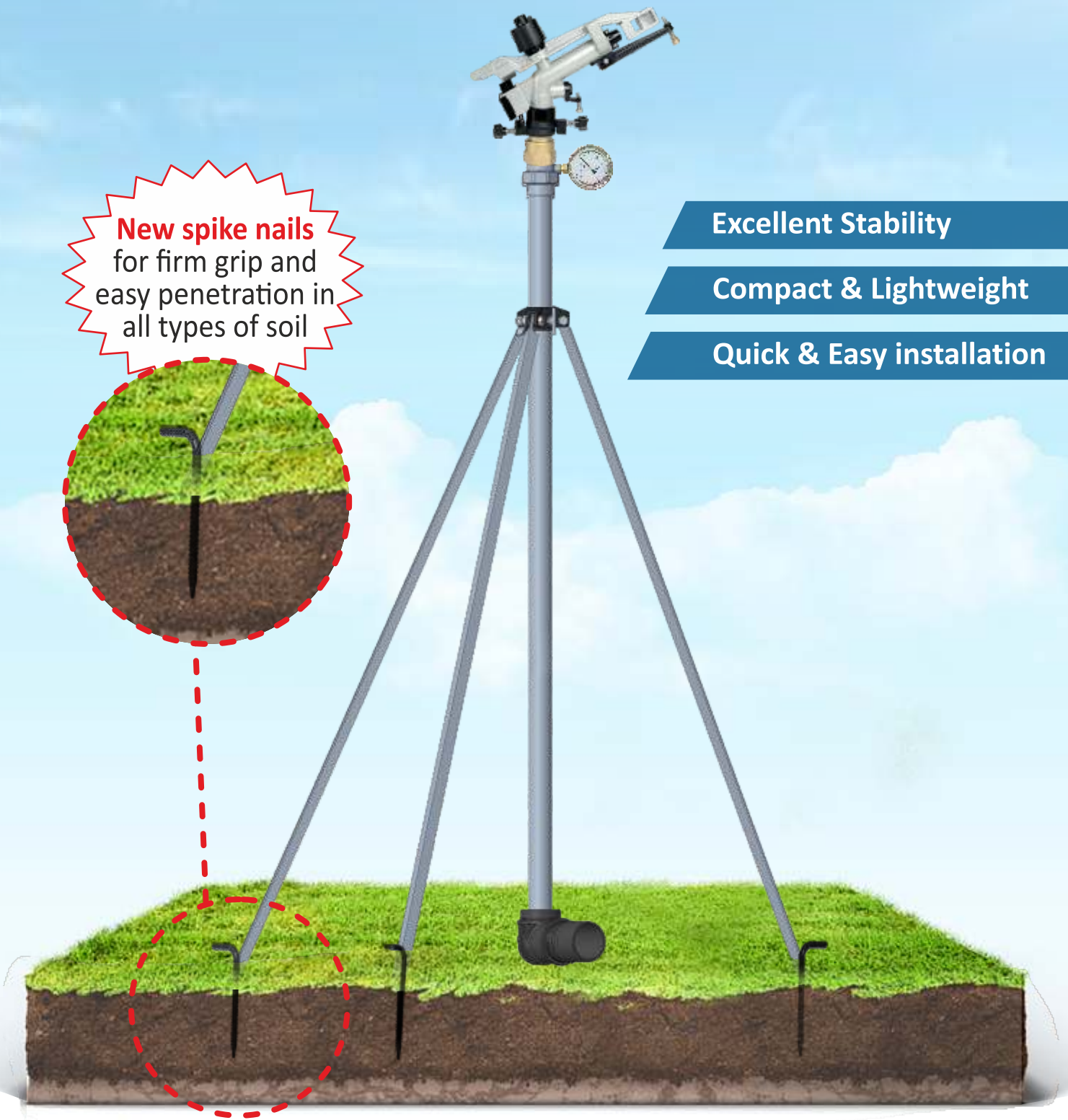
Modular Raingun Stand

New spike nails
for firm grip and
easy penetration in
all types of soil

Excellent Stability

Compact & Lightweight

Quick & Easy installation



A Concept to provide a fast installation of raingun with stand and the piping system in field

Technical Details

- Available in 1.25", 1.5" & 2" BSP threads
- Standard Riser Height - 1.5 metre

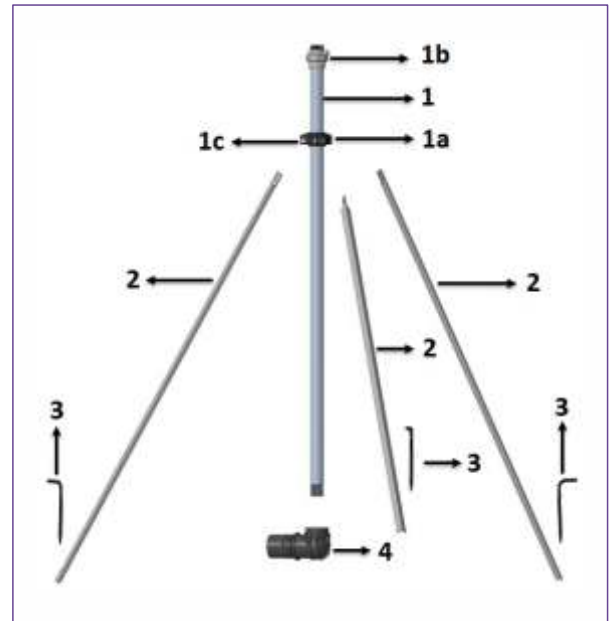
Features

- **End Connections:** One end of central riser for quick fit raingun adapter and other end for connection of QFC
- **Quick Fit Raingun Adapter:** helps user to fast connect / disconnect the raingun with the stand.
- **Pressure Gauge:** Quick Fit Raingun Adapter now comes with the feature of installation of pressure gauge as desired.
- **Angular Support for Excellent Stability:** 3 Spikes of Angular support are designed for fast & easy insertion into the soil, which gives excellent stability to stand at high pressure. it is easy to level in the field with central riser.
- **Superior Bracket design:** for good flexibility of angular support and central riser.
- **Lock Screw:** of bracket will fix the central riser movement.
- **Light Weight & Compact:** Overall modular gun stand is lighter in weight and easy to carry into the field than traditional gun stand.



Components of a Modular Raingun Stand

- Central Riser (1)
- Bracket with 3 nos. of Nut & Bolt(1a +1c)
- Quick Fit Raingun Adapter (1b)
De-assembled Parts (inside the central riser)
- Three Angular Supports (2)
- Three Spikes (3)

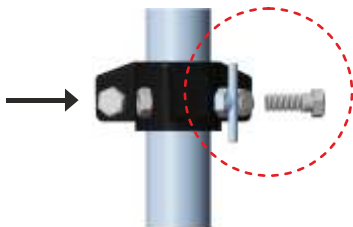


Easy DIY(Do It Yourself) Installation

Follow the procedure to assemble the gun stand with Angular Support

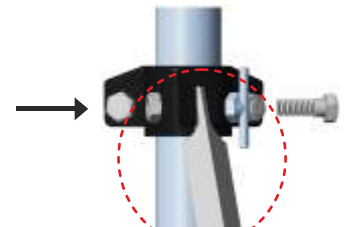
Step 1

Loosen the
nut and bolt



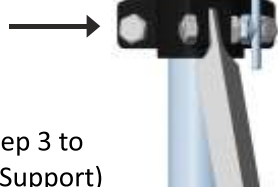
Step 2

Place one
Angular Support
into bracket



Step 3

Tighten the
nut and bolt



(Repeat step 1 to step 3 to
install other Angular Support)

Angular
Support
assembly is
complete



AUTOMAT INDUSTRIES PRIVATE LIMITED

Website: www.automatworld.com | e-mail: contactus@automatworld.com



<https://www.facebook.com/automatindustries>



<https://www.youtube.com/automatindustries>

Modular Gun Stand & Rain Gun Installation

Step 4



To dismantle the Raingun Adapter from the riser stand, turn it to 45 degrees anti-clockwise to unlock and pull it upwards

Step 5



Connect the Raingun to the male thread of adapter and install the pressure gauge to the port given in the adapter

Step 6



Spread the three Angular Support from the central riser at equal distance and place them on the ground

Step 7



Fix the modular stand in the field by inserting each spike through the hole given in angular Support and fix them into the soil

Step 8



Now loosen the screw of bracket so that the central riser can move freely up and down

Step 10



Now connect the Raingun Adapter with raingun on the top of central riser, turn 45 degree clockwise and lock the adapter with riser

Step 9



Connect the QFC (Quick Fit Connector) to the bottom thread of central riser

*The QFC can be universally connected to all C-type/Latch type ends of the HDPE pipe



AUTOMAT INDUSTRIES PRIVATE LIMITED

Website: www.automatworld.com | e-mail: contactus@automatworld.com



<https://www.facebook.com/automatindustries>



<https://www.youtube.com/automatindustries>