

Grooved End Coupling

2" & 3"



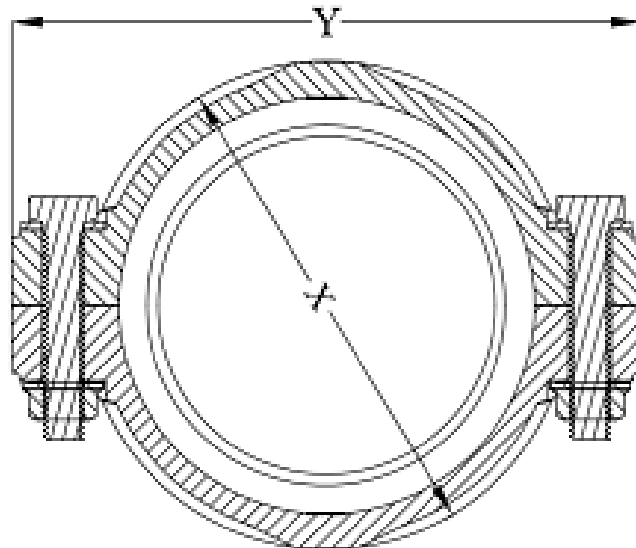
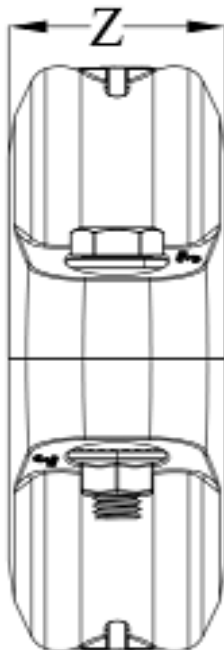
Product Highlights

- Grooved End Coupling is also known as Victaulic Coupling.
- Grooved End Coupling allow easy removal of pipe sections or irrigation filters/ Hydrocyclone for replacement, cleaning and service.
- Installation time and cost is low, since only a socket wrench is required.

Technical Specifications

- Material: Reinforced Polyamide.
- Connection Size:
 - 2" (DN50): AQ-196
 - 3" (DN80): AQ-198
- Max. Operating Pressure: 10 kg/cm²
- Color: Black

Size		Max. Operating Pressure	Dimensions		
Nominal Size	Actual Outside Dia.		X	Y	Z
mm/inches	mm/inches	(kg/cm ²) / psi	mm/inches	mm/inches	mm/inches
50/2"	60.3/2.375	10 / 145	100.3/ 3.95	130/ 5.12	44/ 1.73
80/3"	88.9/3.50	10 / 145	120.8/ 4.76	160/6.30	45.5/ 1.79



Grooved End Coupling

2" & 3"



Features

- No heat or threading required to coupling two groove end connections.
- Grooved End Coupling for grooved end pipe or irrigation products combine the features of a straight line or a flexible coupling. The housings engage the groove around the entire pipe circumference, locking the pipe together.
- Since the grooves are not as deeply cut as threaded pipe, less material is removed and more of the pressure rating of the product/pipe is retained.
- Nut & Bolt made of stainless steel for durability.
- Excellent UV resistance

Installation Instructions steps

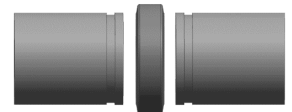
Step-1

A socket wrench is the only tool required to assemble / disassemble the housing of grooved coupling.



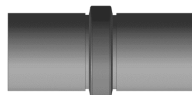
Step-2

Before installing the gasket make sure the grooved ends are free from burr or no any visual moulding defects.



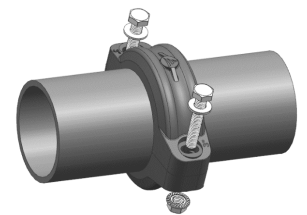
Step-3

An ordinary grease daub inside & outside the gasket, after that stretch the gasket over one grooved end and bring the other grooved end to be coupled into alignment, slide the gasket into centre between the two grooved end connection.



Step-4

Attach the two parts of coupling to be fitted properly into the groove end of both pipe connection, pass the bolt from both the holes and manually screw the nut onto bolt.



Step-5

Tighten the bolts by socket wrench evenly and match the both housing ends touches with each other.

