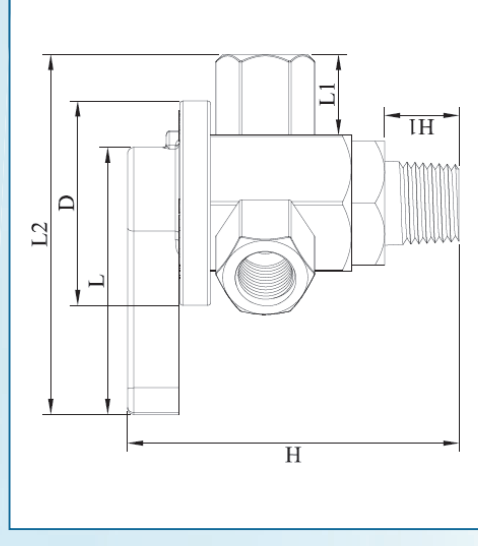


Y-type Brass Three Way Valve

Features

- Designed for three hydraulic flow control positions.
- Common Port at base of the valve body.
- Base Port Thread: Male threaded $\frac{1}{4}$ "-19 BSPT or $\frac{1}{4}$ " - 18 NPT
- Three Ports Thread: Female threaded $\frac{1}{8}$ " - 28 BSPT or $\frac{1}{8}$ " - 27 NPT
- Passage Size: 3.2 mm ($\frac{1}{8}$ ")
- Max. Pressure: 16 Kg/cm² (230Psi)
- One moving part only.
- Three hydraulic control positions: Open, Close & Automatic.
- All valves are sealed when handle position in between port position.
- High quality Teflon seals and Nickel plated brass ball resistant to all kind of irrigation water.
- Plastic parts are Chemical/Corrosion resistant, Color UV stabilized.



Dimensions (mm)

Size	D	L	L1	L2	H	H1
$\frac{1}{8}$ " & $\frac{1}{4}$ "	33	43.5	13	58	53.2	12