

AUTO FLUSH®

Automatic Screen Filter



Applications : AutoFlush® is the ideal solution for agricultural and municipal filtration due to its large filtration area, reliable operation mechanism and simple structure. AutoFlush® works on differential pressure and cleans itself automatically without any external intervention. AutoFlush® has electronically activated models besides hydraulically controlled models. Due to suction nozzles, cleaning is achieved with little water consumption. Besides the standart 130 micron filter size, different screen sizes are available for different dirt levels.

Electric Activated Automatic Screen Filter



VE Series



HE Series

Hydraulic Controlled Automatic Screen Filter

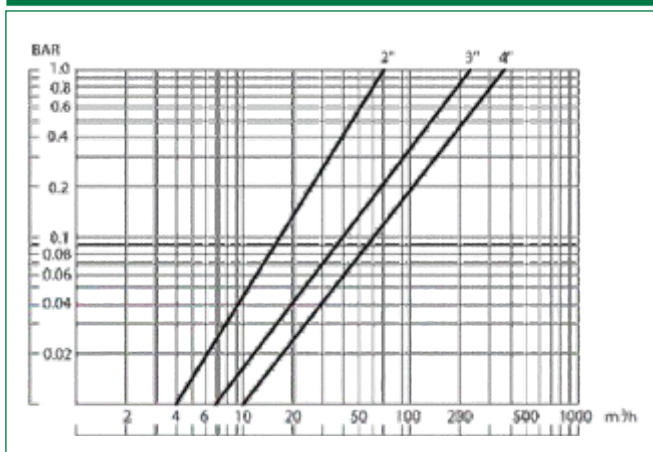


VH Series

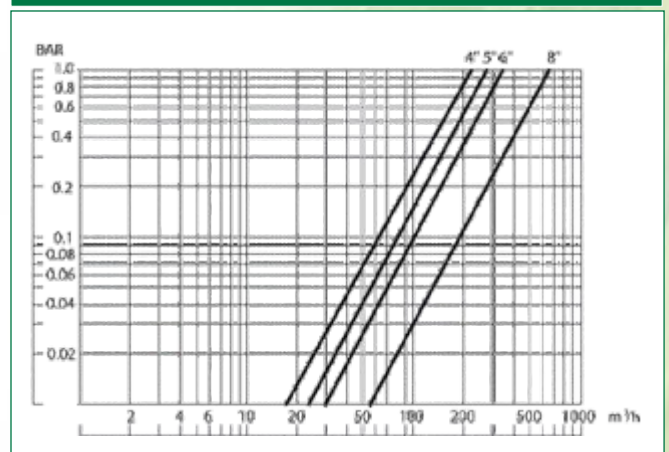


HH Series

Head Loss Chart (Vertical)

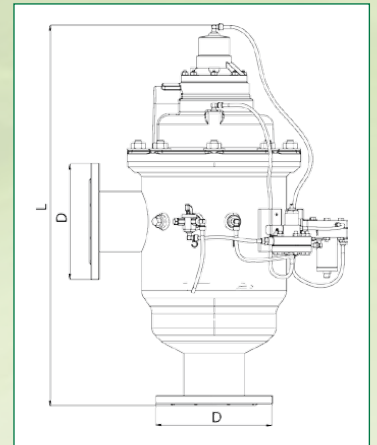
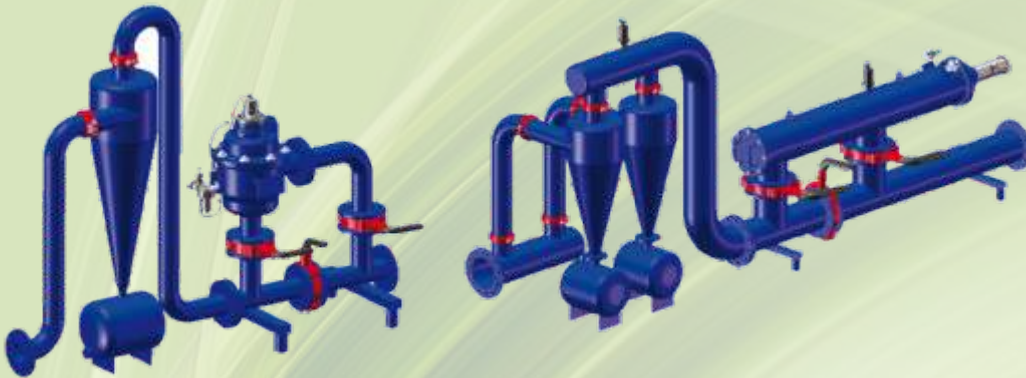


Head Loss Chart (Horizontal)



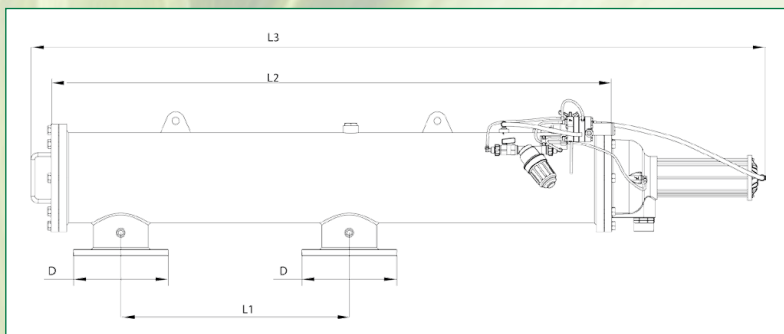
AUTO FLUSH®

Automatic Screen Filter



Model	Connection Size	Connection Type	Control Unit	Screen Degree
VH-80	4"	Flanged (F)	Hydraulic	130 micron
HE-120	6"	Flanged (F)	Electric	130 micron

Sizes Available					
MODEL	D	L	L1	L2	L3
	inch	mm	mm	mm	mm
VH-25	2"	630	-	-	-
VH-40	3"	623	-	-	-
VH-60	3"	727	-	-	-
VH-80	4"	720	-	-	-
VH-100	4"	-	900	1894	2400
VH-120	5"	-	900	1894	2400
VH-160	6"	-	900	1894	2400
VH-180	8"	-	900	1894	2400



Available Models								
Filter Model Code	VH-25	VH-40	VH-60	VH-80	HH-100	HH-120	HH-160	HH-180
	VE-25	VE-40	VE-60	VE-80	HE-100	HE-120	HE-160	HE-180
Max. Flow Rate	25 m ³ /h	40 m ³ /h	60 m ³ /h	80 m ³ /h	100 m ³ /h	120 m ³ /h	160 m ³ /h	180 m ³ /h
Inlet/Outlet Dimension	2"	3"	3"	4"	4"	5"	6"	8"
Standard Filtration Degree	130 micron	130 micron	130 micron	130 micron	130 micron	130 micron	130 micron	130 micron
Min. Operation Pressure	2,5 bar	2,5 bar	2,5 bar	2,5 bar	2,5 bar	2,5 bar	2,5 bar	2,5 bar
Max. Operation Pressure	8 bar	8 bar	8 bar	8 bar	8 bar	8 bar	8 bar	8 bar
Max. Operation Temperature	60°C	60°C	60°C	60°C	60°C	60°C	60°C	60°C
Cleaning Cycle Time	10-16 sn	10-16 sn	10-16 sn	10-16 sn	15-22 sn	15-22 sn	15-22 sn	15-22 sn
Cleaning Criteria	Differential Pressure (DP) 0.5 bar	Differential Pressure (DP) 0.5 bar	Differential Pressure (DP) 0.5 bar	Differential Pressure (DP) 0.5 bar	Differential Pressure (DP) 0.5 bar	Differential Pressure (DP) 0.5 bar	Differential Pressure (DP) 0.5 bar	Differential Pressure (DP) 0.5 bar
Filtration Area	500 cm ²	500 cm ²	1000 cm ²	1000 cm ²	4500 cm ²	4500 cm ²	4500 cm ²	4500 cm ²



E-mail: contactus@automatworld.com
 Website: www.automatworld.com

Creating a Green World

AUTO FLUSH®

Automatic Disc Filter Systems



Back flushing control valves adjusting filtration and back flushing positions of AutoFlush® automatic disc filters connected parallel to the manifold collector system are programmed by differential pressure sensor (DP) for pressure and by control device for timedependent parameters.

Mesh No	Micron	Effective Filtering Surface (%)	Disc Color
80	200	%39	Blue
120	130	%39	Red
150	100	%40	Yellow



Specifications

- Back-flushing pressure is 1 bar.
- Back flushing process is completed in automated manner.
- Water supply is not interrupted during back flushing process.
- As it can be cleaned within short time, very low amount of water is used in back flushing process.
- Due to discs with varying dimensions, desired filtration degree is ensured.
- Maintenance during operation is very easy.
- As it is used in modular filter systems, filtration at desired rates can be performed.
- Due to body and framework reinforced against corrosion, it has long operation life.
- Controller, connection equipments, air valves and pressure gauges are included in the system.
- Fertilizer kit and fertilize tank are not included in the system.
- Package: Wooden crate

Applications:

- Filtration of well water
- Filtration of river, lake and reserve water
- Filtration of applications such as process water and cooling water
- Upwards the ultra-filtration systems
- Agricultural drip and micro-irrigation systems
- For recreational irrigation system practices

**BACK-FLUSHING
PRESSURE**

1BAR

AutoFlush® automatic disc filter system

Code	Collector Size (inch)	Disc Filter Quantity	Connection Type	Recommended Flow Rate (m³/h)
ADF-02	4	2	Grooved End or Flanged	50
ADF-03	4	3	Grooved End or Flanged	75
ADF-04	5	4	Grooved End or Flanged	100
ADF-05	6	5	Grooved End or Flanged	125
ADF-06	6	6	Grooved End or Flanged	150
ADF-07	8	7	Grooved End or Flanged	175
ADF-08	8	8	Flanged	200

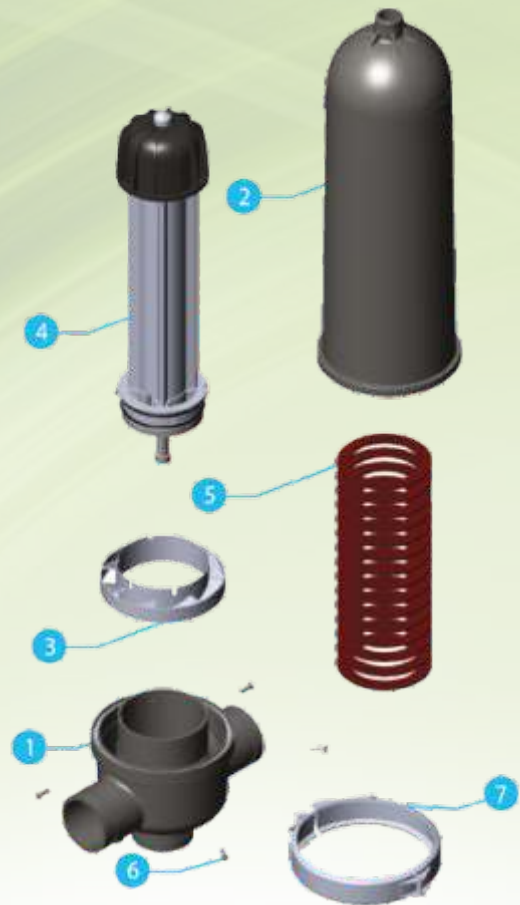


E-mail: contactus@automatworld.com
Website: www.automatworld.com

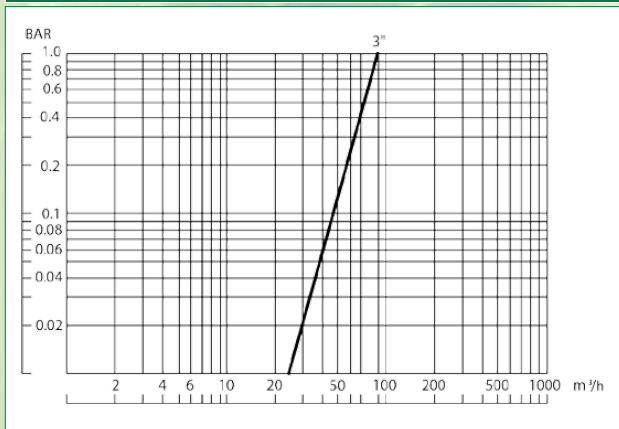
Creating a Green World

Material List

Part no	Part name	Material
1	Body	Polyamide (PA6.6 %30 GFR)
2	Lid	Polyamide (PA6.6 %30 GFR)
3	Hydrocyclone Wing	PET – P
4	Manual Filter Frame	PET – P
5	Disc	Nylon Reinforced PP
6	Bolt	8.8Js-500 Steel
7	Collar	SST



Head Loss Chart



Available Models and Recommended Flow Rates

Modules pcs	Recommended Flow (m³/h)	Min. Back-Flushing Flow Rate (m³/h)	Max. Operating Pressure (bar)	Min. Back-Flushing Pressure (1 bar)	Filtering Area (cm²)	Connection
2 module	60 m³/h	18 m³/h	8 bar	1 bar	3040 cm²	Grooved End
3 module	90 m³/h	27 m³/h	8 bar	1 bar	4560 cm²	Grooved End
4 module	120 m³/h	36 m³/h	8 bar	1 bar	6080 cm²	Grooved End
5 module	150 m³/h	45 m³/h	8 bar	1 bar	7600 cm²	Grooved End
6 module	180 m³/h	54 m³/h	8 bar	1 bar	9120 cm²	Grooved End

Technical Specifications

Max. Operating Pressure	Min. Back-Flushing Pressure	Min. Back-Flushing Flow Rate	Temperature	Connection
8 (bar) 120 (psi)	1 (bar) 14 (psi)	9 – 11 m³/h	0 °C – 60 °C (32 °F – 132 °F)	3" (80 mm) Grooved End