

T Type Screen Filters

AQ-125T(HC)



Max. Operating Pressure	8 Kg/cm ²
Clamp Material	Nylon Reinforced
Vacuum Breaker	For upside up installation
Drain port location	Front of the filter Body
Flow passes through outside to inside screen filter mesh.	

AQ-125T



Max. Operating Pressure	10 Kg/cm ²
Clamp Material	Stainless Steel
Vacuum Breaker	Not fit with this design
Drain port location	Below the Filter barrel
Flow passes through inside to outside screen filter mesh.	

Specifications	AQ-125T (HC) & AQ-125T	
	US Standard	Metric Standard
Inlet / outlet	2 1/2" NPT	2 1/2" BSP
Range of Flow Rate	120-155 GPM	27-35 m ³ /hr
Nominal Flow Rate	130 GPM	30m ³ /hr
Filtration Surface Area	76 in ²	492cm ²
Material of Construction	Polypropylene Glass Reinforced	
Filtering Cartridge	316 Grade Stainless Steel Screen	
Cartridge Diameter	4.3 Inches	109mm
Cartridge Length	11.3 Inches	286mm
Available Mesh	80, 120, 150	80, 120, 150

Filtering Element

- 80 Mesh
- 120 Mesh
- 150 Mesh

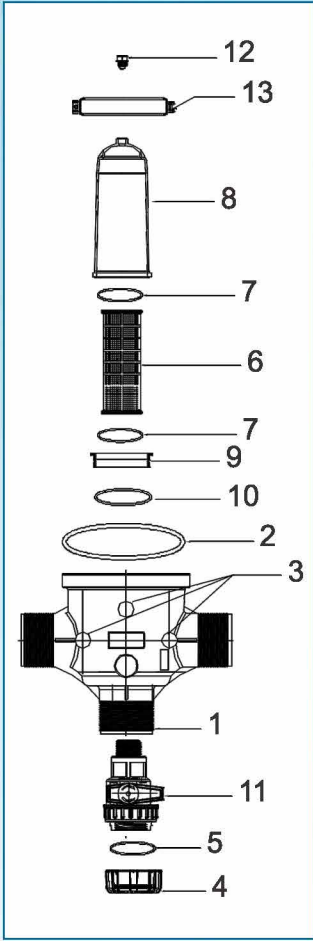
Flow Loss : AQ-125T(HC)

	21.6	27	30	35	42
Flow m ³ /hr					
Pressure Loss kg/cm ²	0.06	0.10	0.15	0.20	0.28
Flow GPM	95.0	115.0	132.0	155.0	185.0
Pressure Loss PSI	0.85	1.22	2.13	2.94	3.98

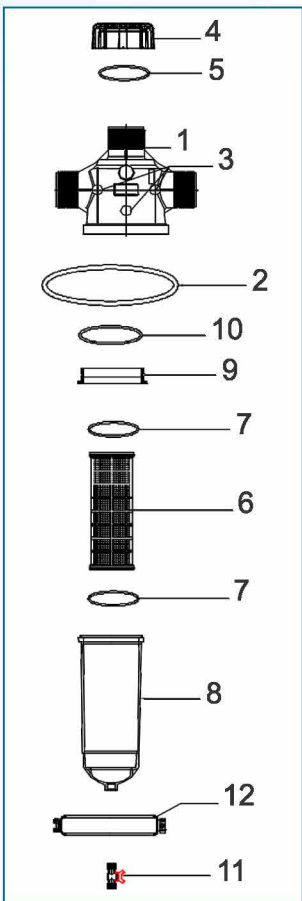
Flow Loss : AQ-125T

	21.6	27	30	35	42
Flow m ³ /hr					
Pressure Loss kg/cm ²	0.08	0.14	0.18	0.24	0.33
Flow GPM	95.0	115.0	132.0	155.0	185.0
Pressure Loss PSI	1.14	1.66	2.56	3.51	4.72

T Type Screen Filters



2 1/2" Screen Filter (Model 125 T(HC) - 30 m³/hr)				
AIPL CODE	DESCRIPTION	INLET/OUTLET	CONNECTION SIZE	MICRON /MESH
14320021	2 1/2" Screen Filter T-Type (With Hybrid Clamp) 120 Mesh	Male Thread NPT	2 1/2"	130/120
14050082	2 1/2" Screen Filter T-Type (With Hybrid Clamp) 120 Mesh	Male Thread BSP	2 1/2"	130/120
SPARE PARTS				
S. NO	PARTS NAME	PART CODE	MATERIAL	QTY
1	Body (BSP Thread)	12490077	Glass reinforced PP	1
	Body (NPT Thread)	12490126		
2	Gasket	50030031	NBR	1
3	Brass Bush	50100033	Brass	3
4	End Cap (BSP Thread)	12490120	Glass reinforced PP	1
	End Cap (NPT Thread)	12490129		
5	End cap O-Ring	50010041	NBR	1
6	SS-316 Screen Cartridge Single Mesh 80 - Black	12490183	Glass reinforced PP	1
	SS-316 Screen Cartridge Single Mesh 120 - Blue	12490171		
	SS-316 Screen Cartridge Single Mesh 150 - Red	12490184		
7	Cartridge O-Ring	50010040	NBR	2
8	Barrel	12490008	Glass reinforced PP	1
9	Adopter	12490019	Glass reinforced PP	1
10	Adopter O-Ring	50010087	NBR	1
11	3/4"x3/4" FXM Ball Valve	19070001	PP	1
12	3/4" Vacuum Breaker	25100051	Glass reinforced PP	1
13	Hybrid Clamp (SS Long Handle)	14050038	Glass reinforced PA	1



2 1/2" Screen Filter (Model 125 T - 30 m³/hr)				
AIPL CODE	DESCRIPTION	INLET/OUTLET	CONNECTION SIZE	MICRON /MESH
14330003	2 1/2" Screen Filter T-Type (With SS Clamp) 120 Mesh	Male Thread NPT	2 1/2"	130/120
14100003	2 1/2" Screen Filter T-Type (With SS Clamp) 120 Mesh	Male Thread BSP	2 1/2"	130/120
SPARE PARTS				
S. NO	PARTS NAME	PART CODE	MATERIAL	QTY
1	Body (BSP Thread)	12490077	Glass reinforced PP	1
	Body (NPT Thread)	12490126		
2	Gasket	50030031	NBR	1
3	Brass Bush	50100033	Brass	3
4	End Cap (BSP Thread)	12490120	Glass reinforced PP	1
	End Cap (NPT Thread)	12490129		
5	End Cap O-Ring	50010041	NBR	1
6	SS-316 Screen Cartridge Double Mesh 30/80 - Black	12490031	Glass reinforced PP	1
	SS-316 Screen Cartridge Double Mesh 30/120 - Blue	12490029		
	SS-316 Screen Cartridge Double Mesh 30/150 - Red	12490032		
7	Cartridge O-Ring	50010040	NBR	2
8	Barrel	12490008	Glass reinforced PP	1
9	Adopter	12490019	Glass reinforced PP	1
10	Adopter O-Ring	50010087	NBR	1
11	3/4"x3/4" MXM Mini Valve (Red Knob)	19030017	POM	1
12	SS Clamp (Long Handle)	14010060	SS 304	1