

T Type Disc Filters

AQ-136T(HC)



Max. Operating Pressure	8 Kg/cm ²
Clamp Material	Nylon Reinforced
Vacuum Breaker	For upside up installation
Drain port location	Front of the filter Body
Flow passes through outside to inside of Disc stake.	

AQ-136T



Max. Operating Pressure	10 Kg/cm ²
Clamp Material	Stainless Steel
Vacuum Breaker	Not fit with this design
Drain port location	Below the Filter barrel
Flow passes through outside to inside of Disc stake.	

Specifications	AQ-136T(HC) & AQ-136T	
	US Standard	Metric Standard
Inlet / outlet	3" NPT	3" BSP
Range of Flow Rate	200-230 GPM	45-52 m ³ /hr
Nominal Flow Rate	220 GPM	50 m ³ /hr
Filtration Surface Area	262 in ²	1690cm ²
Material of Construction	Polypropylene Glass Reinforced	
Material of Disc	Polypropylene Disc	
Cartridge Diameter	5.2 Inches	131mm
Cartridge Length	20.7 Inches	525mm
Available Mesh	120, 150	120, 150

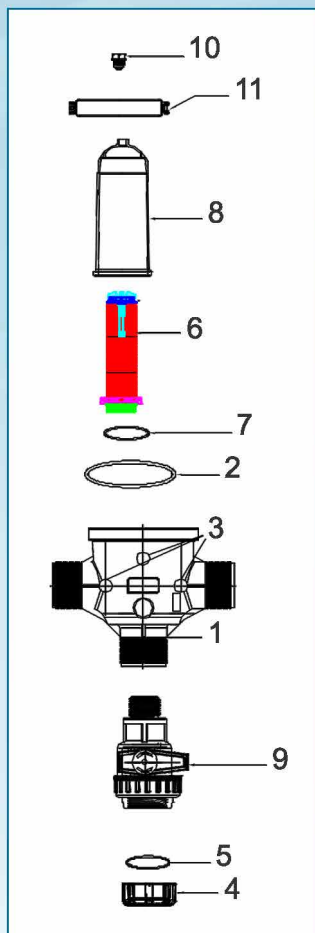
Filtering Element

120 Mesh	
150 Mesh	

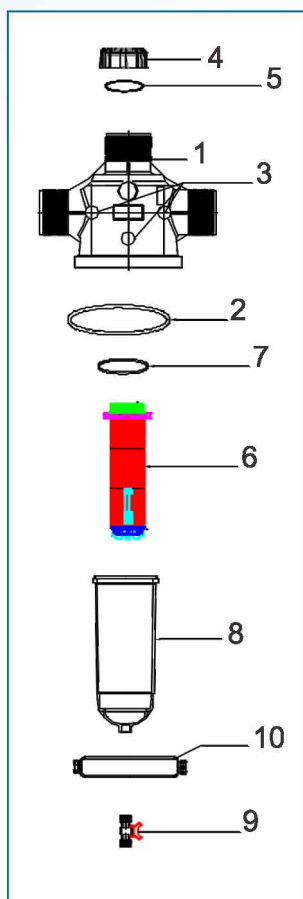
Flow Loss : AQ-136T

Flow m ³ /hr	36	45	50	52
Pressure Loss kg/cm ²	0.15	0.24	0.3	0.33
Flow GPM	158	200	220	230
Pressure Loss PSI	2.05	3.62	4.26	4.82

T Type Disc Filters



3" Disc Filter [Model 136 T (HC) - 50 m ³ /hr]				
AIPL CODE	DESCRIPTION	INLET/OUTLET	CONNECTION SIZE	MICRON /MESH
14350032	3" Disc Filter T-Type (With Hybrid Clamp) 120 Mesh	Male Thread NPT	3"	130/120
14070088	3" Disc Filter T-Type (With Hybrid Clamp) 120 Mesh	Male Thread BSP	3"	130/120
14430004	3" Disc Filter T-Type (With Hybrid Clamp) 120 Mesh	Victaulic Connection	3"	130/120
SPARE PARTS				
S. NO	PARTS NAME	PART CODE	MATERIAL	QTY
1	Plain Body (BSP Thread)	12490001	Glass reinforced PP	1
	Plain Body (NPT Thread)	12490185		
	Plain Body (Victaulic Connection)	12490006		
2	Gasket	50030031	NBR	1
3	Brass Bush	50100033	Brass	3
4	End Cap (BSP Thread)	12490009	Glass reinforced PP	1
	End Cap (NPT Thread)	12490010		
5	End Cap O-Ring	50010039	NBR	1
6	Disc Cartridge (120 Mesh)	14010047	Glass reinforced PP	1
	Disc Cartridge (150 Mesh)	14010049		
7	Cartridge O-Ring	50010087	NBR	1
8	Barrel	12490007	Glass reinforced PP	1
9	3/4"x3/4" FXM Ball Valve	19070001	PP	1
10	3/4" Vacuum Breaker	25100051	Glass reinforced PP	1
11	Hybrid Clamp (SS Long Handle)	14050038	Glass reinforced PA	1



3" Disc Filter (Model 136 T - 50 m ³ /hr)				
AIPL CODE	DESCRIPTION	INLET/OUTLET	CONNECTION SIZE	MICRON /MESH
14340006	3" Disc Filter T-Type (With SS Clamp) 120 Mesh	Male Thread NPT	3"	130/120
14010007	3" Disc Filter T-Type (With SS Clamp) 120 Mesh	Male Thread BSP	3"	130/120
14420004	3" Disc Filter T-Type (With SS Clamp) 120 Mesh	Victaulic Connection	3"	130/120
SPARE PARTS				
S. NO	PARTS NAME	PART CODE	MATERIAL	QTY
1	Plain Body (BSP Thread)	12490001	Glass reinforced PP	1
	Plain Body (NPT Thread)	12490185		
	Plain Body (Victaulic Connection)	12490006		
2	Gasket	50030031	NBR	1
3	Brass Bush	50100033	Brass	3
4	End Cap (BSP Thread)	12490009	Glass reinforced PP	1
	End Cap (NPT Thread)	12490010		
5	End Cap O-Ring	50010039	NBR	1
6	Disc Cartridge (120 Mesh)	14010047	Glass reinforced PP	1
	Disc Cartridge (150 Mesh)	14010049		
7	Cartridge O-Ring	50010087	NBR	1
8	Barrel	12490007	Glass reinforced PP	1
9	3/4"x3/4" MXM Mini Valve (Red Knob)	19030017	POM	1
10	SS Clamp (Long Handle)	14010060	SS 304	1